

# LIVING & CO

## 2 in 1 STICK VACUUM CLEANER



Instruction Manual

LCVC80GB

---

**AFTER SALES SUPPORT**

  0800 422 274

# Contents

- 03 Important Safety Instruction
- 05 Product Overview
- 06 INSTRUCTIONS
- 09 CLEANING AND MAINTENANCE
- 10 Other Useful Information
- 11 TROUBLESHOOTING

# Important Safety Instruction

## IMPORTANT SAFETY INSTRUCTIONS READ CAREFULLY AND KEEP FOR FUTURE REFERENCE

**Read this manual thoroughly before first use**, even if you are familiar with this type of product. The safety precautions enclosed reduce the risk of fire, electric shock and injury when correctly adhered to. Keep the manual in a safe place for future reference, along with the completed warranty card, purchase receipt and carton.

Always follow basic safety precautions and accident prevention measures when using an electrical appliance, including the following:

### READ ALL INSTRUCTIONS

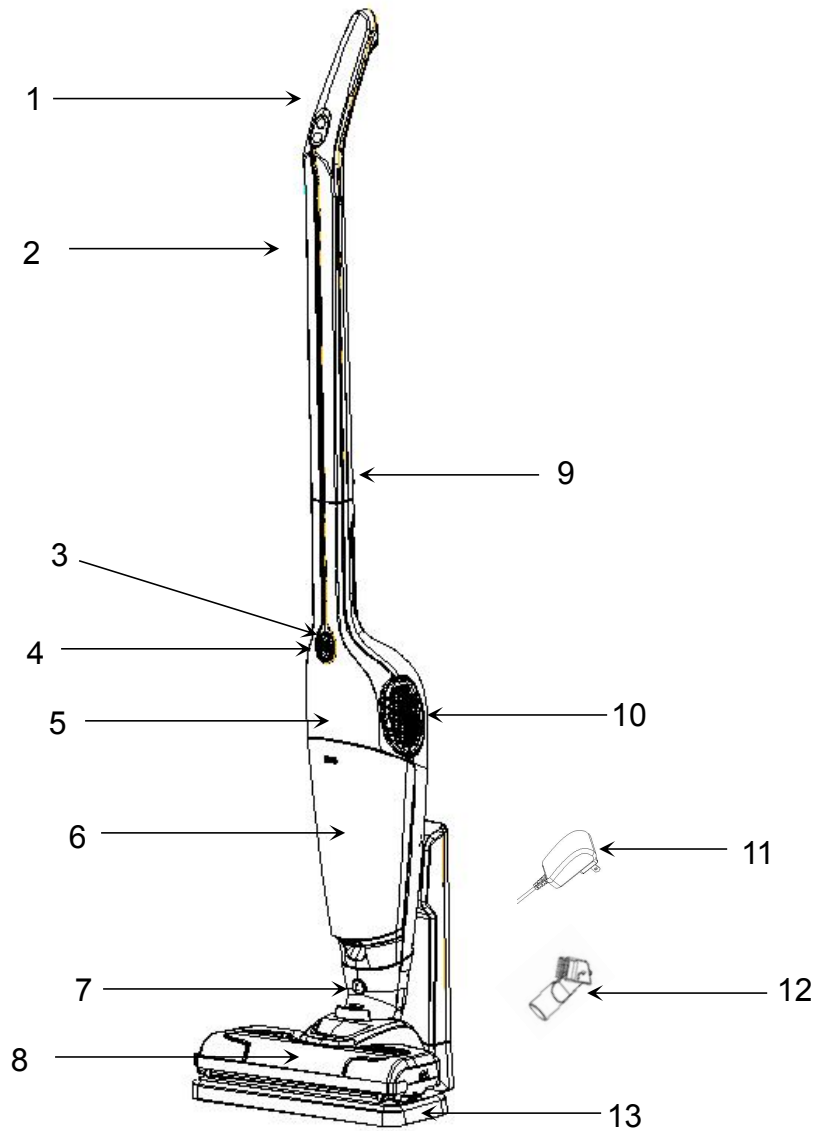
1. Before turning on, ensure the electrical voltage and frequency of the charging adaptor corresponds to those indicated on the rating label.
2. Do not leave the vacuum cleaner when plugged in. Unplug from outlet when not in use and before cleaning or servicing.
3. Do not use outdoors or on wet surfaces.
4. Young children should be supervised to ensure they do not play with the appliance.
5. Do not insert any objects into the appliance.
6. Use only as described in this manual, use only manufacturers recommended attachments.
7. Do not operate any appliance with a damaged charging adaptor or after the appliance malfunctions, or has been damaged in any manner.
8. Keep the charging adaptor and cords away from heated surfaces.
9. Do not unplug by pulling on cord. To unplug, grasp the charging adaptor, not the cord.
10. To reduce the risk of electrocution never operate the product with wet hands, submerge in water or spill liquids into the product.
11. Do not use with any opening blocked; keep free of dust, lint, hair, and anything that may reduce airflow.
12. Turn off all controls before unplugging.
13. Do not use to vacuum flammable or combustible liquids, such as gasoline, matches, or use in areas where they may be present.
14. Do not vacuum anything that is burning or smoking, such as cigarettes, matches, or hot ashes.
15. Do not use without the filter in place.
16. This appliance is intended for normal household use only.

17. If the charging adaptor is damaged, it must be replaced by the same type.
18. This appliance is not intended for use by persons (including children) with reduced physical, sensory or mental capabilities, or lack of experience and knowledge, unless they have been given supervision or instruction concerning use of the appliance by a person responsible for their safety;
20. Children should be supervised to ensure that they do not play with the appliance.
19. When charging the appliance, the power switch must be off.
20. This Appliance should not be used by children or people who are physically challenged.
21. This appliance is not a toy, and if not used in the correct manner, can lead to unnecessary damage or failure to perform.

## **WARNING!**

- Do not use your appliance out doors or on any wet surface or for wet pick up.
- Do not pick up hard or sharp objects, matches, hot ashes, cigarette ends or other similar items.
- Do not spray with or pick up flammable liquids, cleaning fluids, aerosols or their vapors.
- Do not run over the power charging cord when using your appliance or remove the plug by pulling on the power cord.
- Do not continue to use your appliance or charger if it appears faulty.
- Do not replace the batteries with non-rechargeable batteries.

# Product Overview

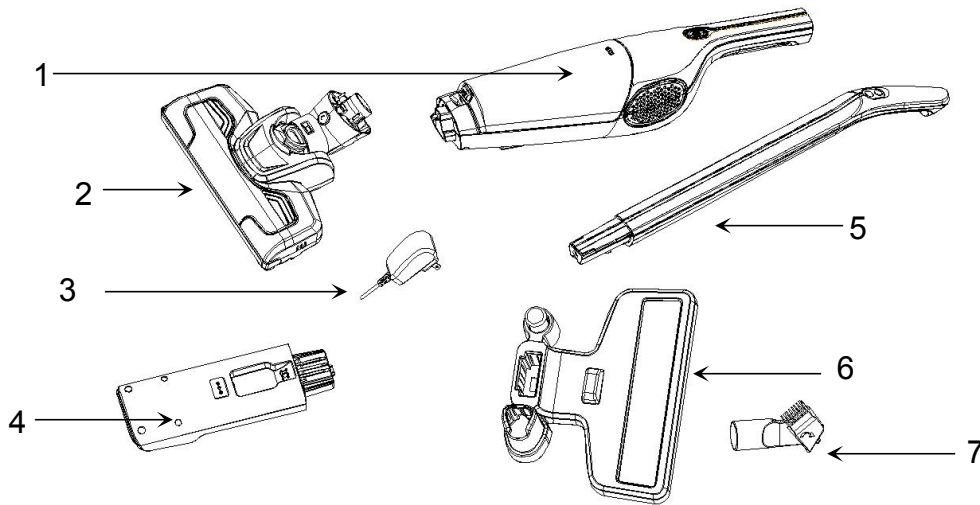


1	Handle switch / speed button	8	Main brush
2	Handle	9	Handheld release button
3	Light cover	10	Air outlet plate
4	Body switch	11	Charger
5	Body	12	2 in 1 brush
6	Dust cup	13	Charger base
7	Brush release button		

# INSTRUCTIONS

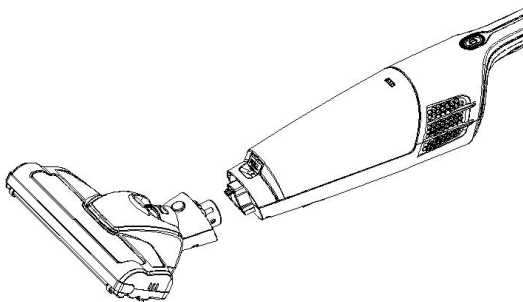
## How to assemble

**A、 After opening the retail box, please check all the parts were included as shown below**



1	Main body	5	Handle
2	Main brush	6	Charger base
3	Charger	7	2 in 1 brush
4	Charger stand		

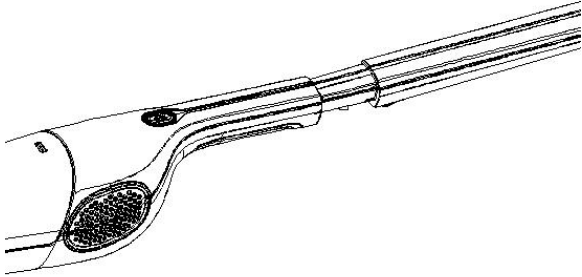
## B、 How to assemble the brush



Align the joint of the brush with the main unit and then connect the two parts together

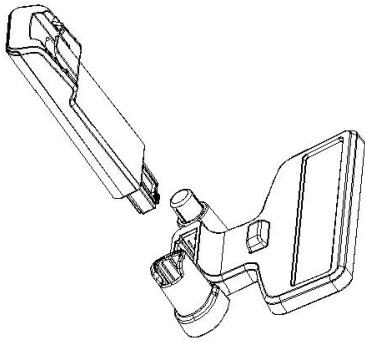
### C、 How to assemble the handle

Align the joint of the handle with the main unit and then connect the two parts together



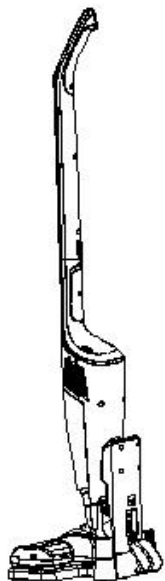
### D、 How to assemble the Charger

Align the charging base with charging cover and then connect the two parts together

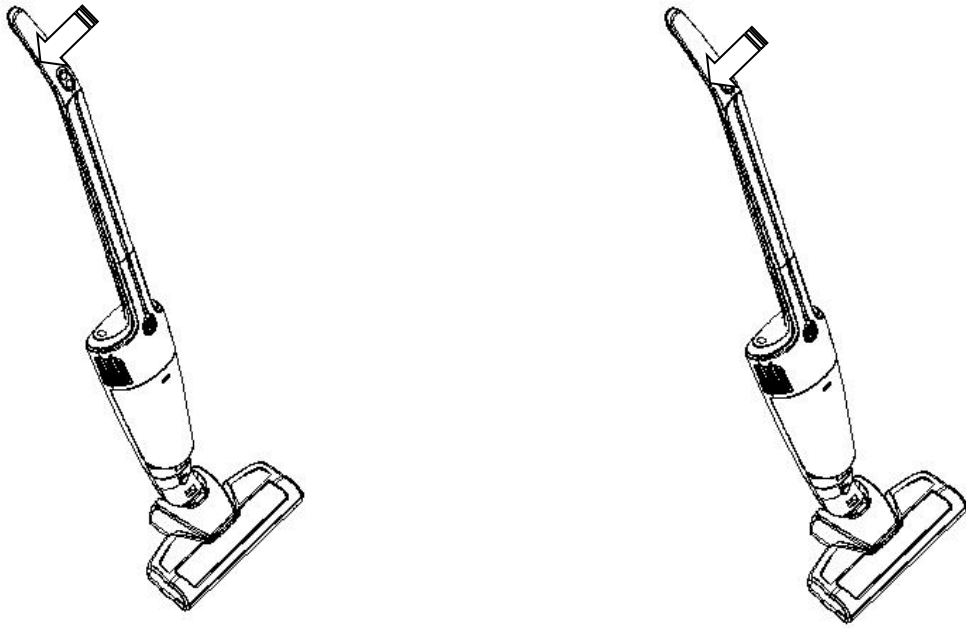


### E、 How to store and charge the unit

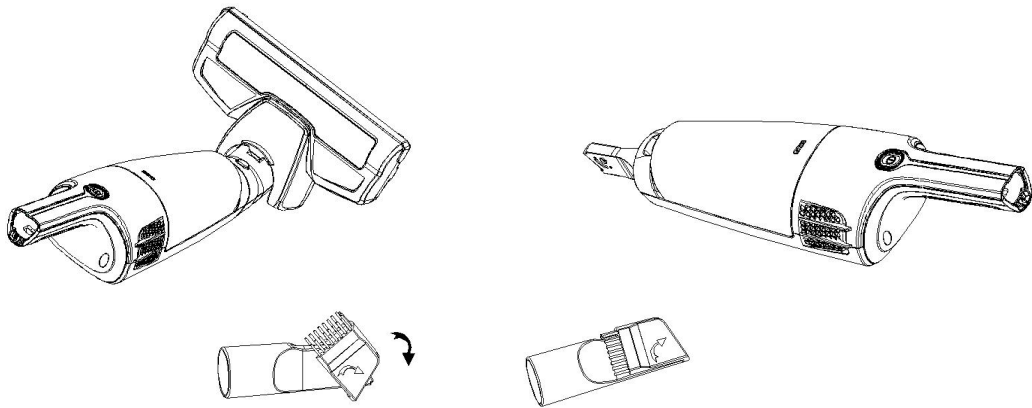
Connect the main unit with the charging stand



## How to operate



Press the ON/Off button on the handle to start and stop the vacuum. The 2nd button can change the suction power from high to low..



The handle can be removed and the handheld vacuum can be used with the main brush or other accessories. To operate press the on/off button.



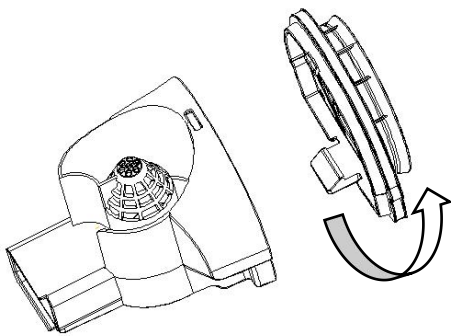
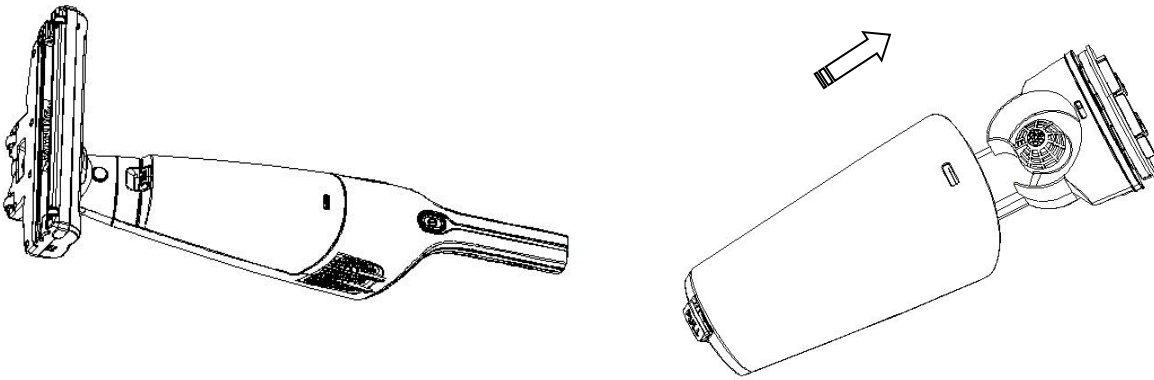
# CLEANING AND MAINTENANCE

Always switch off the appliance before carrying out any maintenance or cleaning. Clean the outside of the appliance with a slightly damp cloth. Dry thoroughly before use.

## Filter Maintenance

It is very important to keep the filters clean to maintain maximum performance from the vacuum.

Clean the filters regularly. We recommend you replace the filters once a year.



1. Press dust cup release button, release the dust cup.
2. Empty the dust cup.
3. After used for a certain period, Please take out filter sponge, wash it with water and natural dry it

## Other Useful Information

### Note:

1. The filter cannot be cleaned in the washing machine as it will reduce the suction power and damage the motor if you use a wet filter.
2. Before charging the product, please make sure your hands are dry.
3. Please don't touch the rolling brush with your hands when the machine is operating.
4. Please use the charger supplied with the machine when charging.

### End of Product Life Battery Disposal

If the vacuum is to be disposed of the batteries should be removed. Used batteries should be taken to a recycling station and not disposed of with household waste. To remove the batteries, please proceed per the following instructions:

**IMPORTANT: Always fully discharge the batteries before removal and ensure the charger is unplugged.**

1. Run the cleaner until the batteries are completely empty.
2. Remove the ergonomic handle and the screws, in the main body to open the cleaner.
3. Remove the motor battery housing and disconnect the cables.
4. Remove the batteries from the housing.

Note: Should you experience any difficulties in dismantling the unit or for more detailed information about treatment, recovery and recycling of this product, please contact your local authority or your household waste disposal service. Insert the holder of the floor brush with tubes into the storage clip at the rear of the appliance.

# TROUBLESHOOTING

Please check the following details before you have your appliance repaired by an authorised servicing agent.

Problem	Possible Cause	Possible Solution
Vacuum cleaner does not work.	<ol style="list-style-type: none"> <li>1. Check if the power has run out.</li> <li>2. Check if the power switch of the appliance is on.</li> </ol>	<ol style="list-style-type: none"> <li>1. Charge the vacuum and try again when fully charged.</li> <li>2. Then turn the vacuum cleaner power switch on.</li> </ol>
Loss of Suction or no suction	<ol style="list-style-type: none"> <li>1. Dust cup maybe full.</li> <li>2. Filter may be blocked .</li> <li>3. Check if the switch is in low speed.</li> </ol>	<ol style="list-style-type: none"> <li>1. Empty the dust cup and wash the filter.</li> <li>2. Remove nozzle and check for any blockages in the ducts and hose.</li> <li>3. Check that the dust cup has been correctly fitted.</li> <li>4. Turn the switch to high speed if needed.</li> </ol>

## Technical Specifications

14.4V DC      80W

Dust canister capacity: 0.35L

**Customer Service Number:** 0800 422 274

MON – FRI: 8AM – 5PM

SAT – SUN: 9AM – 4PM



# LIVING&CO

## Warranty

We pride ourselves on producing a range of quality home appliances that are both packed with features and completely reliable. We are so confident in our products, we back them up with a 1 year warranty.

Now you too can relax knowing that you are covered.

Customer Helpline NZ: 0800 422 274

This Product is covered by 1 year warranty when accompanied by proof of purchase.

IM Version 1.0 - September 2017