

LIVING&CO

L+C 1.7L SS/ L+C 1.7L SS RED



INSTRUCTION MANUAL

MODEL: LKT17SS/ LKT17SR

AFTER SALES SUPPORT

 **(NZ) 0800 422 274**

Read these instructions carefully before using your kettle, and keep it carefully.

If you follow the instructions, your kettle will provide you with many years of good service.

SAVETHESEINSTRUCTIONSCAREFULLY

IMPORTANT SAFETY INSTRUCTIONS

1. Read all instructions before using.
2. This appliance is not intended for use by persons (including children) with reduced physical, sensory or mental capabilities, or lack of experience and knowledge, unless they have been given supervision or instruction concerning use of the appliances by a person responsible for their safety.
3. The appliance is not a toy. Children should be supervised to ensure that they do not play with the appliance.
4. This appliance is intended to be used in household and similar applications such as:
 - Staff kitchen areas in shops, offices and other working environments;
 - Farm houses;
 - By clients in hotels, motels and other residential type environments;
 - Bed and breakfast type environments.
5. If the supply cord is damaged, it must be replaced by the manufacturer or its service agent or a similarly qualified person in order to avoid a hazard.
6. This kettle is not intended to be operated by means of an external timer or separate remote control system.
7. Before using the kettle for the first time, safely remove and discard all packaging material.
8. The kettle is only to be used with the power base provided.
9. Do not use the appliance other than boiling drinking quality

water.

10. To protect against a fire, electric shock or personal injury, never immerse cord, electric plugs, base or kettle in water or other liquids.

11. Do not operate the kettle unless the element is fully immersed. Should you accidentally allow the kettle to operate without water, the boil-dry protection will automatically switch it off. If this should occur, allow the kettle to cool before filling with cold water and re-boiling.

12. Do not let the cord hang over edge of table counter or touch hot surface.

13. Do not place on or near a hot gas or electric burner or in a heated oven.

14. Do not operate the kettle on an inclined plane.

15. Do not move the kettle, or remove the kettle from the power base during operation.

16. Do not open the lid during operation and just after boil steam may come out. Use caution when opening the lid for refilling when the kettle is hot.

17. Kettle will be hot during operation. Avoid touching hot surface. Always use the handle to carry and lift the kettle. Extreme caution must be used when moving the kettle containing hot water.

18. Use caution when pouring water from the kettle, as boiling water and steam will scald. Do not pour water too quickly.

19. Unplug from outlet when not in use and before cleaning; allow it to cool before putting on or taking off parts and before cleaning

the appliance.

20.If the kettle is overfilled, boiling water may be ejected.

21.Do not use the kettle outdoor.

22.It is recommended to have a residual current device (safety switch) installed by qualified electrician to provide additional safety protection when using all electrical appliances.

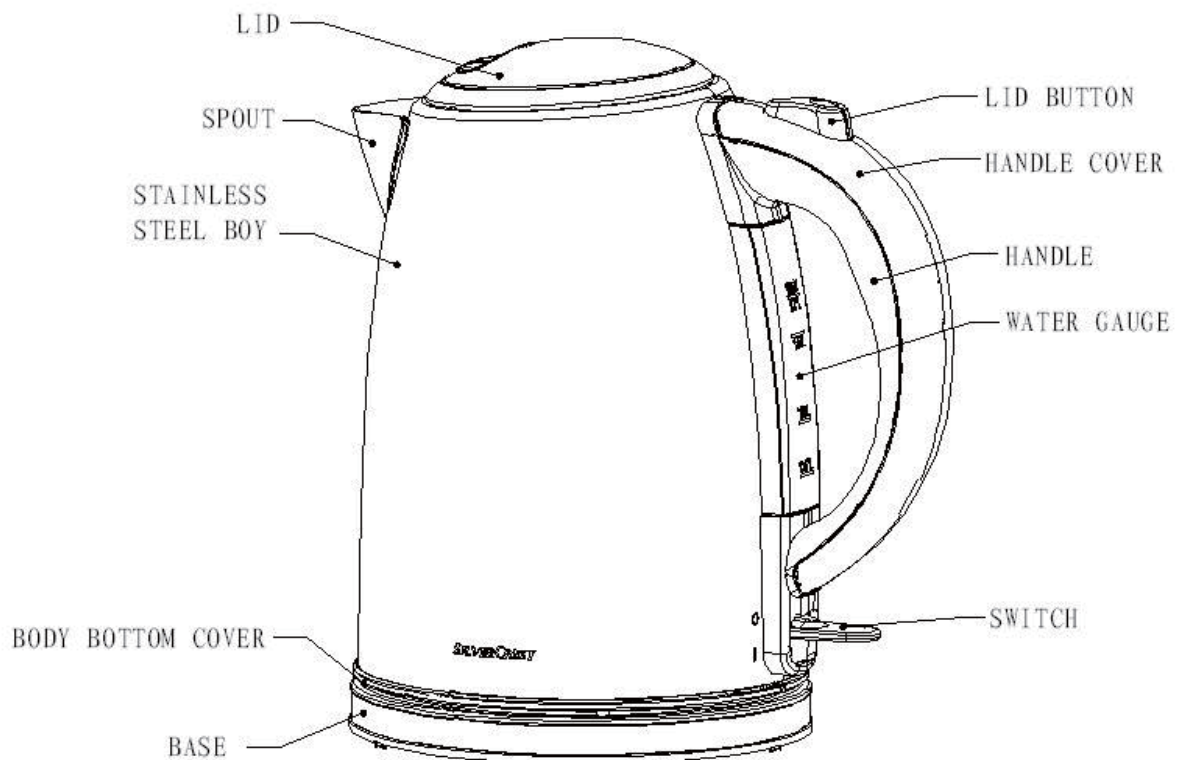
23.Do not move while the kettle is switched on.

24.Never operate the appliance with wet hands.

25. Ensure lid shut properly before switching on.

26. Avoid using kettle right below smoke or fire alarm; Steam may cause smoke or fire alarm to operate.

Know your kettle



Before initial use

If you are using the kettle for the first time, it is recommended that you clean your kettle before use by boiling a full kettle of water twice and then discarding the water.

Operation

1. To fill water into the kettle, remove it from the power base and open the lid by press down the lid button, fill with the desired amount of water to the kettle. Always fill the kettle between the minimum (0.7L) and maximum (1.7L) marks. Too little water will result in the kettle switching off before the water has boiled.

NOTE: Do not fill the water over the maximum level, as water may spill out of the spout when boiling. Ensure that the lid is firmly in place before connecting the power cord to the outlet.

2. Close the lid. Position the kettle on the power base in place. Make sure the kettle contact with the power base completely.

3. Connect the plug into a power outlet. Lift the switch upwards to “I” position and the switch light illuminates. Then start to boil the water. The kettle will switch off automatically once the water has boiled and the switch light extinguishes. You can shut off the power by pressing the switch at any moment during boiling water.

NOTE: Ensure that switch is clear of obstructions and the lid is firmly closed. The kettle will not turn off if the switch is constrained or if the lid is left open.

4. Lift the kettle from the power base and then pour the water.

NOTE: Operate carefully when pouring the water from your kettle as boiling water may result in scald, besides, don't open the lid while the water in the kettle is hot.

5. The kettle will not re-boil until the switch is uplifted. Allow to cool for 15~20 seconds before reopening to boil water. The kettle may be stored on the power base when not in use.

NOTE: Ensure power supply is turned off when kettle is not in use.

Boil-dry protection

Should you accidentally allow the kettle to operate without water, the boil-dry protection will automatically switch it off. If this should occur, allow the kettle to cool before filling with cold water and re-boiling.

Care and cleaning

Always disconnect the appliance from the power outlet and leave it to cool down completely

before cleaning.

Never immerse the kettle or cord in water, or allow moisture to contact with these parts.

Removal of mineral deposits

Mineral deposits in tap water may cause the kettle interior to discolor .To remove this build-up, use non-toxic Liquid Descaler.

Alternatively:

1. Fill the kettle with 3 cups of white vinegar and the remainder of water and be allowed to stand overnight. **Do not boil.**
2. Empty the solution from the kettle. Any stains remaining inside the spout can be removed by rubbing with a damp cloth, fill the kettle with clean water, bring to boil and then discard the water. Repeat and the kettle will then be ready to use.

Cleaning external housing

Wipe the external housing with a wild and damp cloth or cleaner.

CAUTION: Do not use chemical, steel, wooden or abrasive cleaners to clean the outside of the kettle.

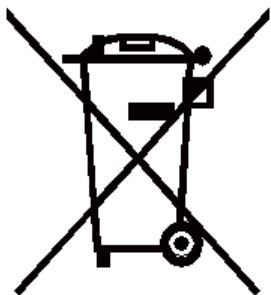
Cleaning the filter

Remember to clean the filter with a wild and damp cloth at intervals.

Storage

When not in use or storage, the power cord may be wound around the cord storage under the base of kettle.

Environment friendly disposal



You can help protect the environment!
Please remember to respect the local regulations:
hand in the non-working electrical equipments to
an appropriate waste disposal center.

LIVING&CO

Warranty

We pride ourselves on producing a range of quality home appliances that are both packed with features and completely reliable. We are so confident in our products, we back them up with a 1 year warranty.

Now you too can relax knowing that you are covered.

Customer Helpline NZ: 0800 422 274

This Product is covered by 1 year warranty when accompanied by proof of purchase.

AFTER SALES SUPPORT



NZ 0800 422 274