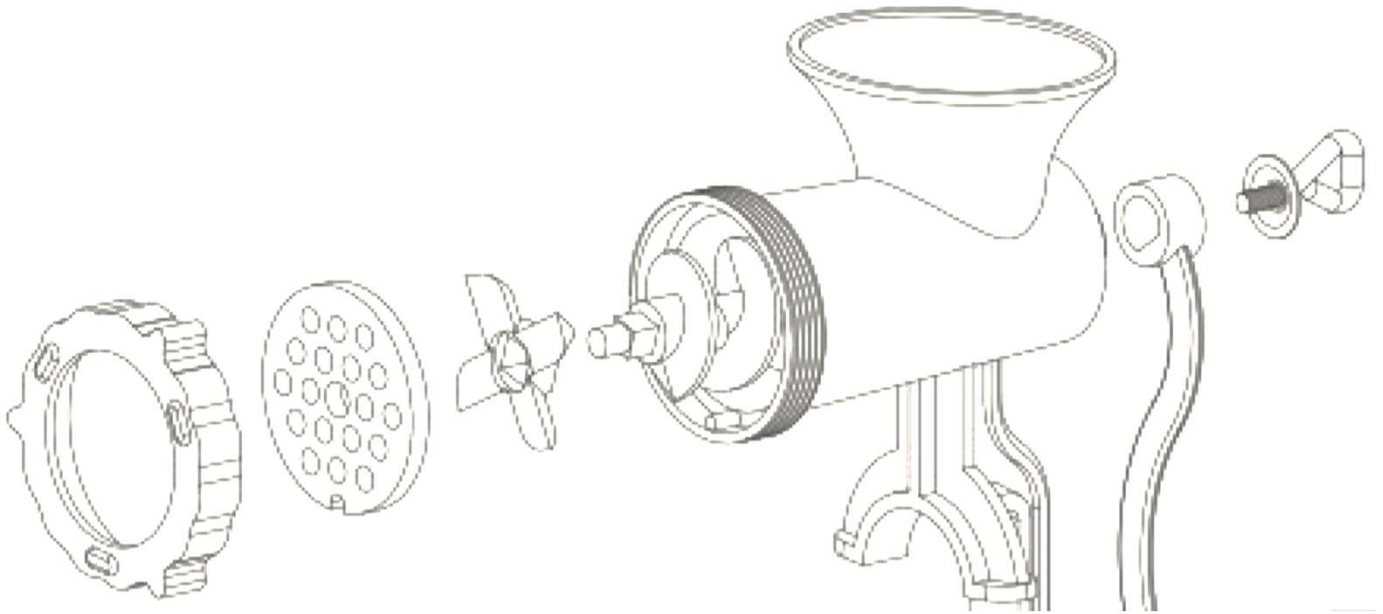


GRINDER ASSEMBLY



TIPS:

- DO NOT OVER TIGHTEN! If the locking ring is screwed onto the grinder body too tight, the auger will be hard to turn.
- Make sure there is plenty of space for handle to rotate.
- The grinder must be cleaned every time after use, regular maintenance will help prevent unwanted build-up and harmful bacteria growth.
- Hand wash each part thoroughly in warm soapy water, taking particular care to remove all grease and oil from surfaces. Do not clean the grinder in the dishwasher.
- Coat all metal parts with a food grade silicone spray to prevent corrosion.