



ACTIVE INTENT
PLAY

Trampoline And Enclosure



Assembly, Installation, Care, Maintenance, and User Instructions Trampoline 14ft

RETAIN THE INSTRUCTION MANUAL FOR FUTURE REFERENCE AND READ CAREFULLY

AFTER SALES SUPPORT
☎ (NZ) 0800 422 274



1. Before You Start

DO NOT attempt to perform any somersaults or flips. Paralysis or death may result if you land on your head or neck! There should be no more than one person on the trampoline at any time. Multiple users increase the risk of injury.

Use the trampoline only under mature, knowledgeable supervision.

Warning: Read all the manual's contents including assembly, installation, use and care, prior to using this product.

- The maximum weight of the user should NOT exceed 150kg for 14ft .
- This product is designed for a single child over the age of 6. This product should only be used in a domestic, outdoors setting while under adult supervision.

2. Safety Information

Safety Instructions

WARNING

- Read all instructions before using the trampoline.
- The trampoline should be assembled by an adult in accordance with assembly instructions and checked before initial use.
- Clothing should allow plenty of body movement without flapping loosely and distracting the jumper. Wear clothing free of drawstrings, hooks, loops, or anything that could get caught while using the trampoline and result in entanglement or strangulation. Buckles, jewellery, and belts should be taken off before use as they may damage the mat or cause injury to the jumper if they become caught in the fabric of the trampoline. Empty pockets and hands before jumping.
- Shoes should be removed as they may damage the mat and increase the risk of injury.
- Socks should be removed as the jumper may slip and cause injury.
- Do not allow children under 6 years on the trampoline.
- Do not allow more than one person on the trampoline at any time.
- Do not attempt or allow somersaults on the trampoline. Landing on your head or neck may result in serious injury, paralysis, or even death.
- Do not use the trampoline when wet, as this will make the mat slippery, which in turn may make landing difficult.
- Do not use the trampoline while under the influence of alcohol or drugs. Balance, perception, and assessment of risk will be affected and may lead to injury.
- Do not use the trampoline as a springboard to other objects.
- Do not use the trampoline immediately after a meal.
- Active, competent supervision is essential — always supervise children while they are using the trampoline.
- Ensure any pads (where they are required) covering the frame/suspension system are securely attached at all times.
- Ensure the enclosure is securely attached and in good condition at all times.
- Check the trampoline before use to ensure that it is in good condition. Replace any worn or broken parts. Only use parts recommended by the manufacturer.





- Make sure that the area around, underneath and above the trampoline is clear of objects that could interfere with jumping. Do not allow children, pets, toys, or other equipment under the trampoline.
- Adults should demonstrate safe use of the trampoline when children are present.
- Children should be educated by responsible adults to always climb on and off the trampoline, and never jump or bounce off. It is a dangerous practice to jump or bounce from the trampoline when dismounting. Never use springs or suspension elements as 'hand grips' when getting on and off the trampoline.
- Learn fundamental bounces and body positions thoroughly before trying more advanced manoeuvres.
- For further information or additional instructional materials, contact the manufacturer or retailer. To learn more advanced trampoline skills, contact a suitable gymnastics/trampoline club.
- Enclosure systems are designed to prevent users from falling off the trampoline. Do not allow users to intentionally bounce towards or off the barrier, as this can unbalance the trampoline. Continuous impact may damage the enclosure.
- Focus your eyes on the edge of the trampoline. This will help control your bounces.
- Stop a bounce by flexing your knees as your feet come in contact with the trampoline mat. Learn this skill before you attempt any others.
- Avoid bouncing too high. Stay low until you can control your bounce and repeatedly land in the centre of the trampoline.
- The trampoline should not be installed over concrete, asphalt, or any other hard surface; nor in the proximity of other conflicting installations (e.g. paddling pools, swings, slides, or climbing frames).
- Modifications made by the consumer to the original trampoline (e.g. the installation of an accessory) should be carried out according to manufacturer instructions.
- Do not eat while jumping.
- Do not exit by a jump.
- Limit the time of continuous usage (make regular stops).
- Always close the net opening before jumping.
- Do not use in strong wind conditions and secure the trampoline.



! DANGER

! WARNING



NO SOMERSAULTS OR FLIPS
PARALYSIS OR DEATH may result if
you land on your head or neck!



No more than ONE user at a time



Do not use while
in a cast or if you
have a leg, arm,
head, neck, or
back injury.



Do not allow
children under
six (6) years of
age to use.

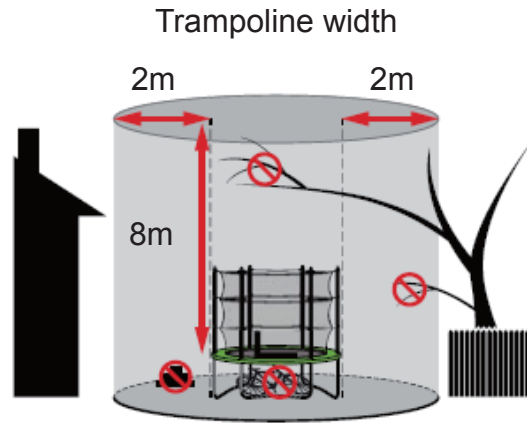


Remove hard
or sharp objects
such as jewellery,
eyeglasses,
or hairclips
before use.




If pregnant, do
not use without
the permission of
your physician.

3. Trampoline Placement



- Place the trampoline on a flat impact attenuating surface such as grass and ensure that it is sufficiently stable to prevent it from tipping over and/or blowing away. Sandbags or pegs may be used as suitable anchorage devices.
- Keep a minimum of 8m overhead from the mat height to ensure users do not inadvertently come into contact with overhead hazards such as electric wires, tree limbs, and clotheslines.
- Maintain a minimum clearance of 2m on all sides of the trampoline. This area should not include concrete, bitumen, brick, or other hard surfaces as they can cause serious injuries if users fall off the trampoline.
- Do not place the trampoline on top of other objects or store anything underneath the trampoline mat.
- Keep the area surrounding the trampoline clear. Place the trampoline away from walls, structures, fences, and other play areas.
- Place the trampoline in a well-lit area
- It is recommended that 4x adults are required to move. Always lift your item into place never drag.

4. Part List

1		Jumping Mat	1x	14		Ball cap	6x
2		Spring Pad	1x	15		Manual	1x
3		Top frame	12x	16		75mm Bolt 45mm Bolt	12x 6x
4		T Section	12x	17		Nut	18x
5		W leg	6x	18		Washer	18x
6		Vertical tube (3 holes)	12x	19		Plastic spacer	12x
7		Self-Locking	6x	20		Enclosure	1x
8		Spring	96x	21		Rope	8x
9		Upper pole	6x	22		Flat Steel	11x
10		Bottom pole	6x	23		Bolt Set for Flat Steel	22x
11		Spring tool	1x	24		Socket for Flat Steel	11x
12		Sleeve	6x	25		Wrench	1x
13		Spanner	1x	26		Anchor	3x

5. Trampoline Assembly

Before Assembly

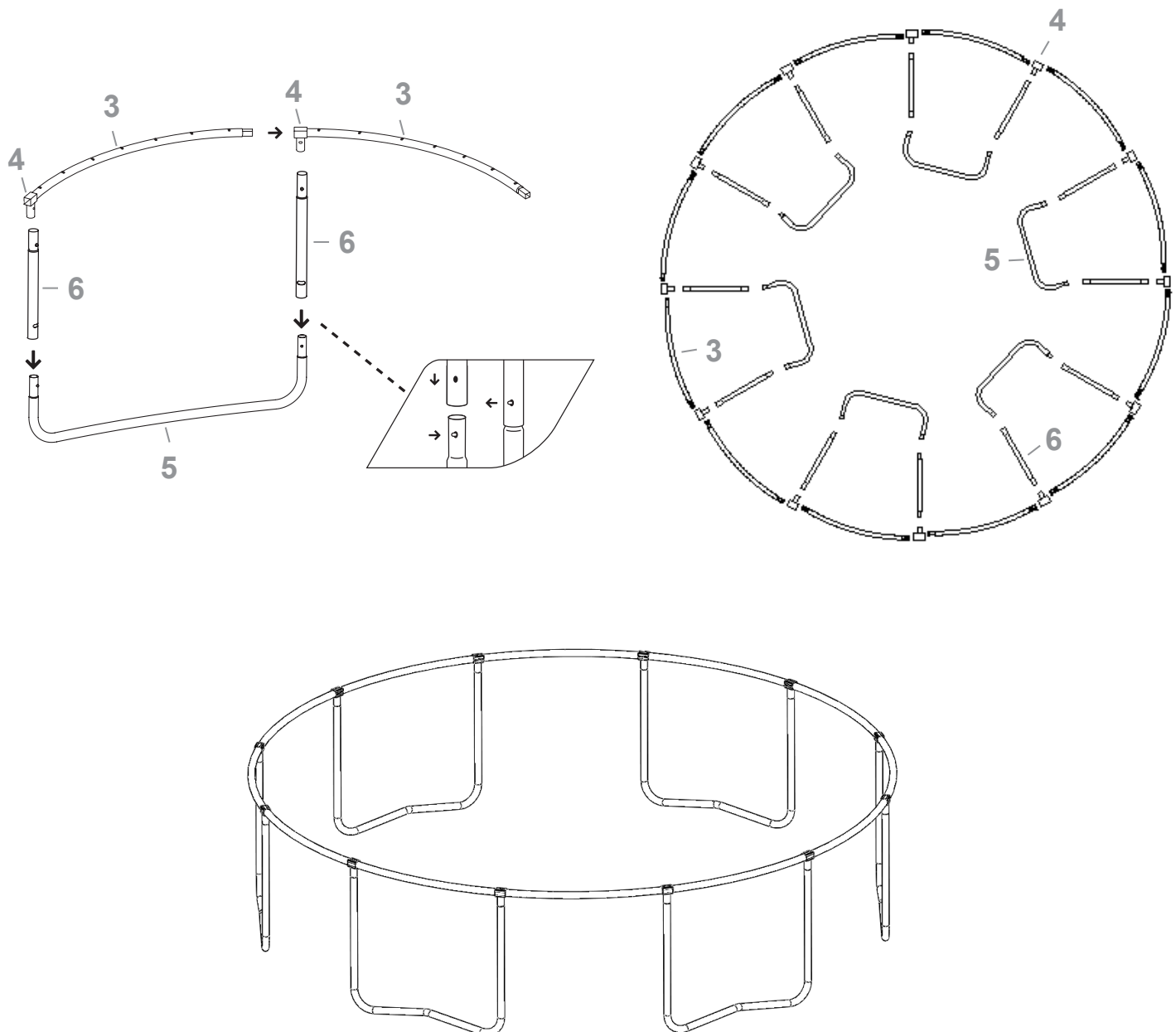
Check the packaging and make sure every component in the Parts List has been delivered. IF ANY PARTS ARE MISSING, please call the Customer Service number listed on the rear page for assistance. DO NOT install or use the product. Store in a safe place until it is ready for installation. Ensure that you have plenty of space and a clean dry area suitable for assembly. It is recommend 3 people to help assemble.

3- PERSON ASSEMBLY

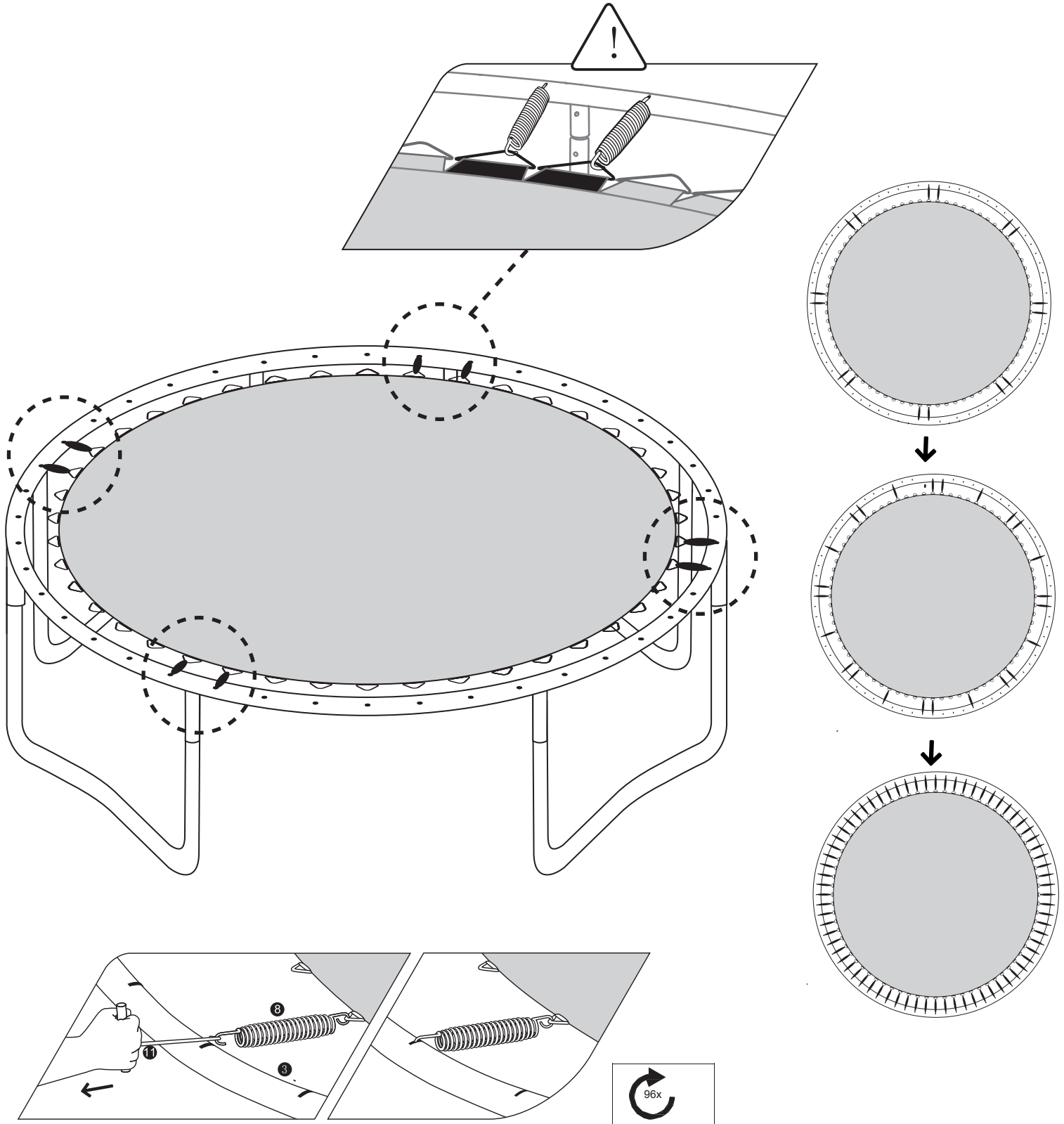


→ Cycle the times of installs until the step is complete

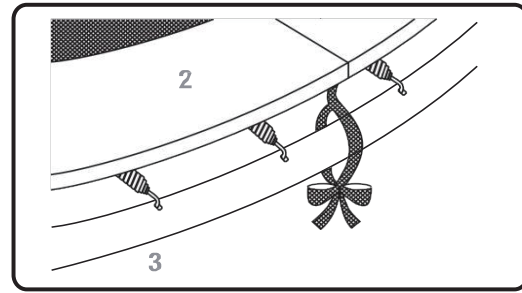
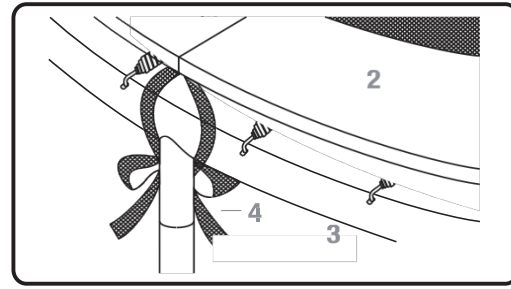
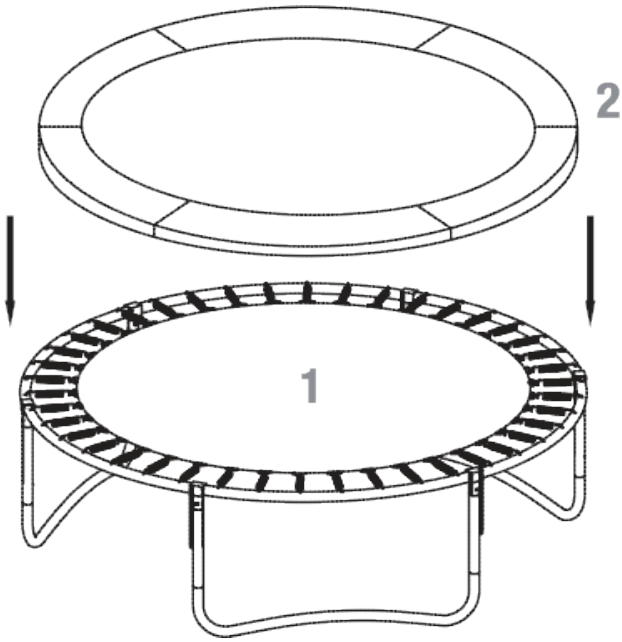
-ASSEMBLY OF FRAME



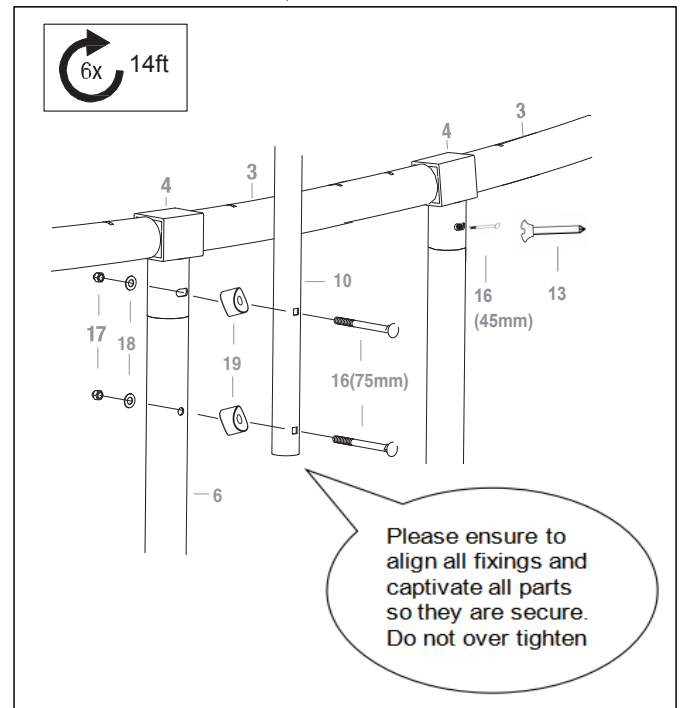
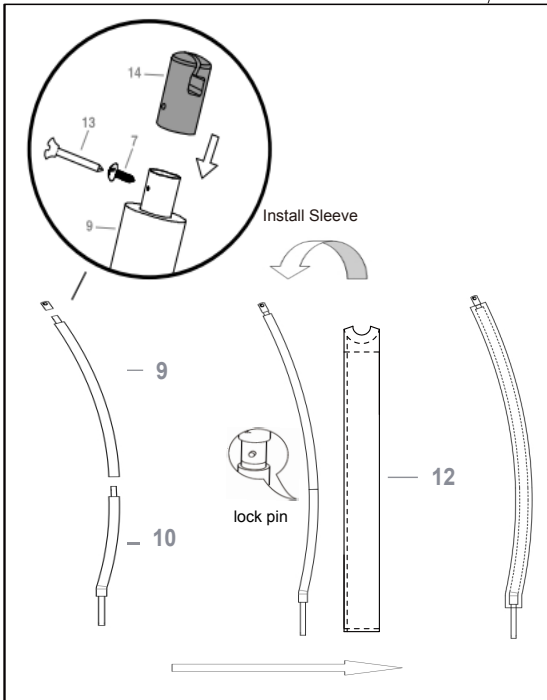
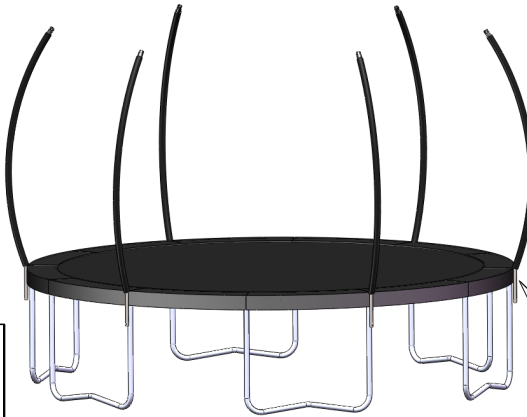
-ASSEMBLY OF JUMPING MAT



-ASSEMBLY OF SPRING PAD



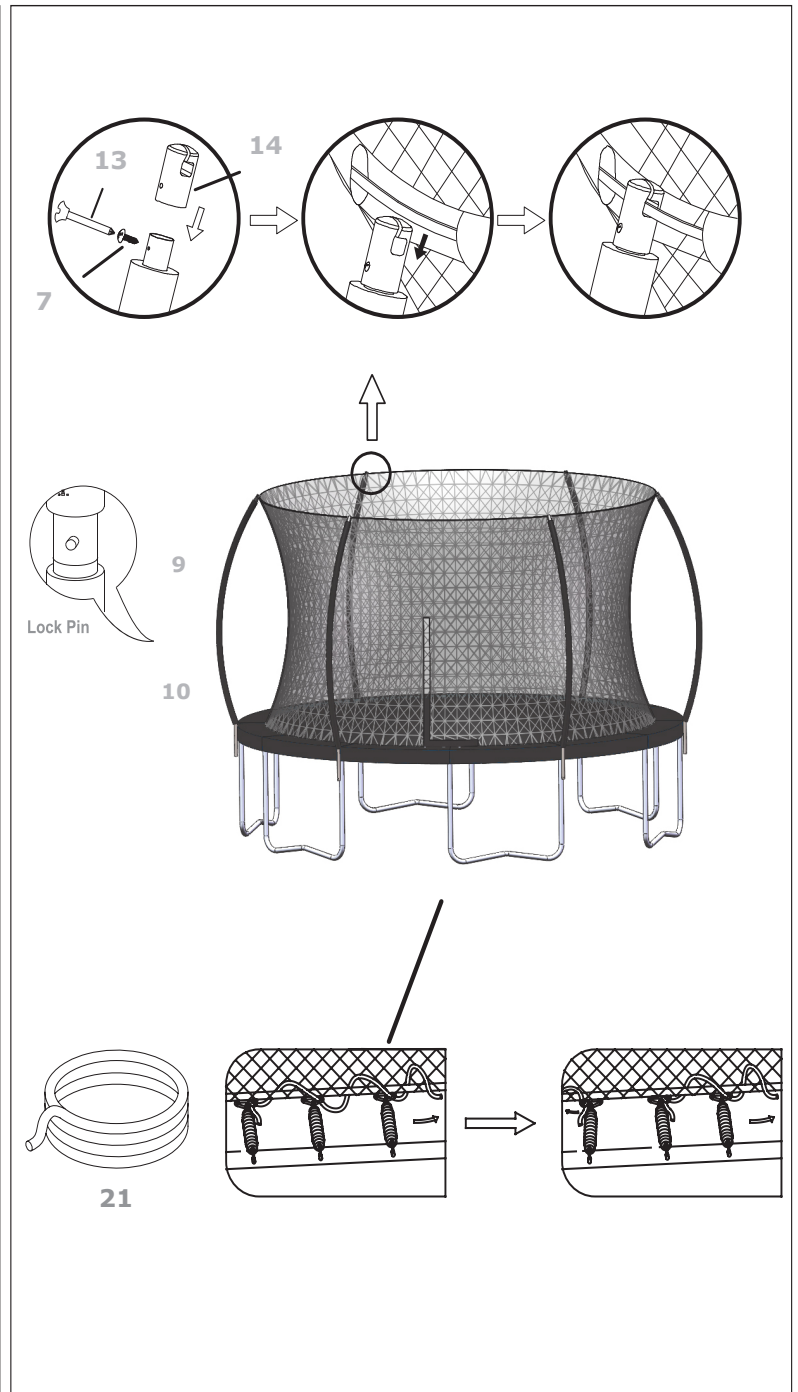
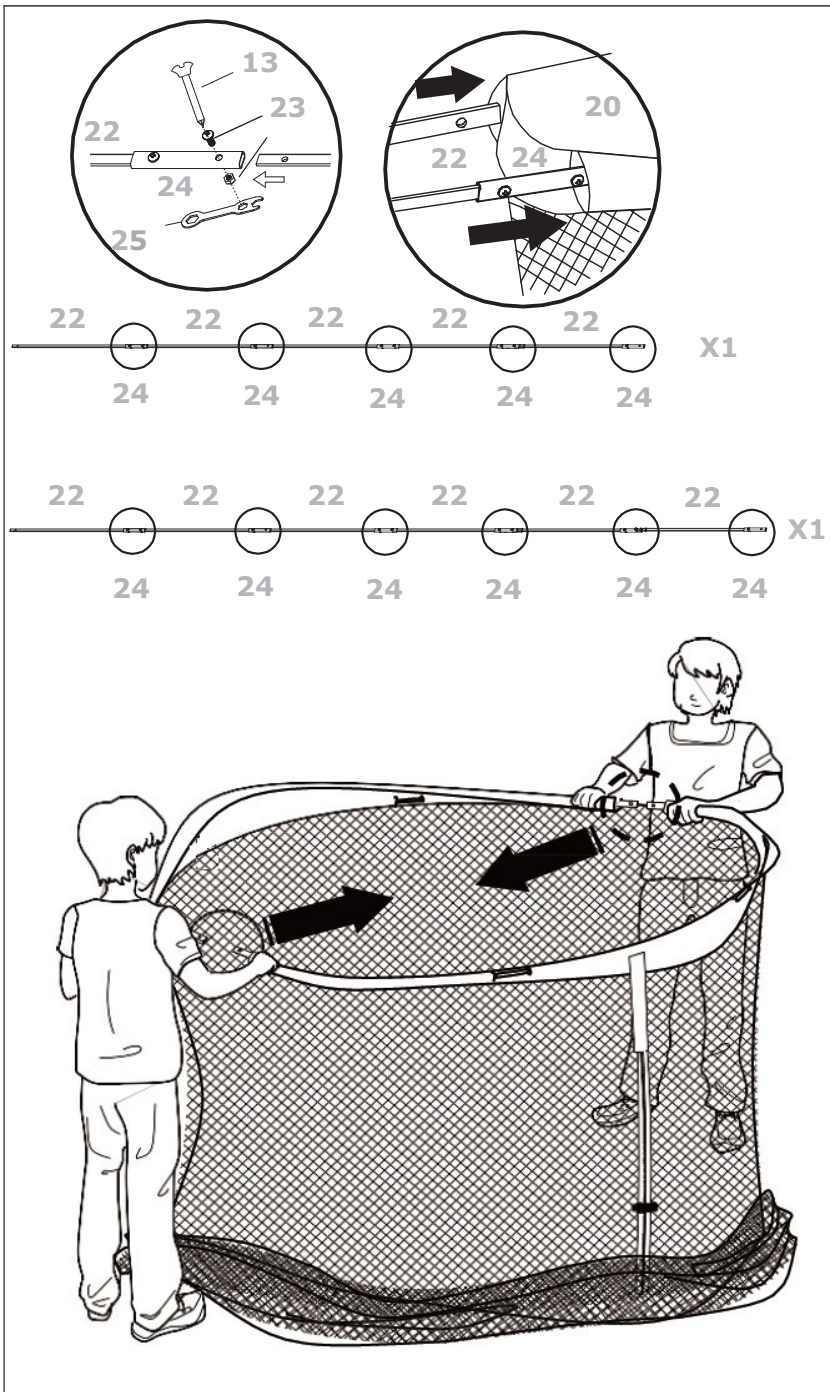
-ASSEMBLY OF POLES & ENCLOSURE



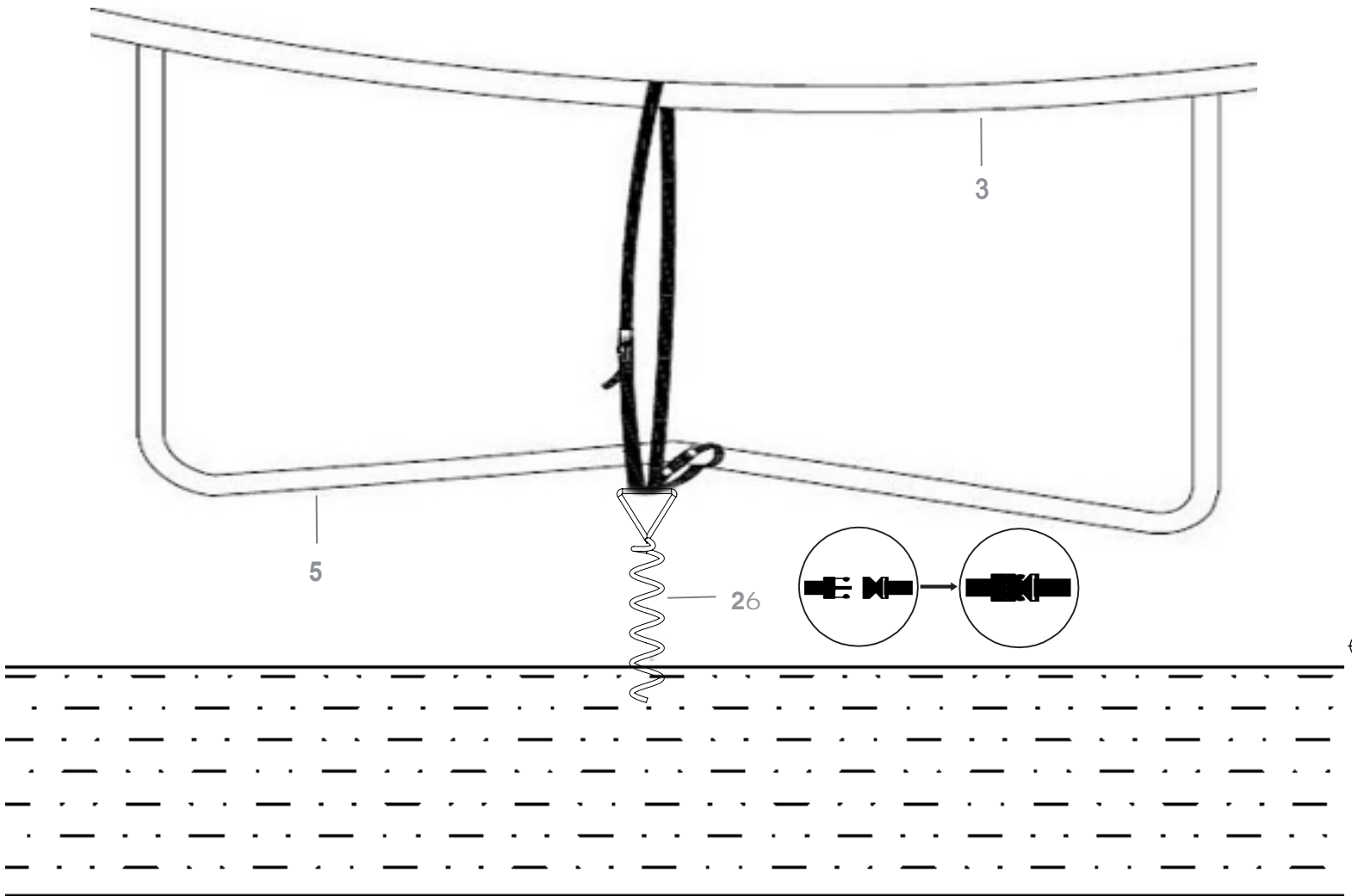
-ASSEMBLY OF ENCLOSURE

Assemble parts 22 and 24 in to groups of 4 as per image, ensure all fixings are captivated well.

2 people required. Starting from one side, slide parts 22 and 24 as per image orientation into the net opening once parts are placed through the net and reach the other opening connect parts 22 and 24 and captivate with fixings part number 23.



-ASSEMBLY OF ANCHOR



7. Maintenance And Care

General Care

- We strongly recommend that you clean the trampoline and any accessories every month with warm soapy water. When dirt and other particles are left to build up on the trampoline, wear and tear will accelerate.
- The trampoline and enclosure must be stored away during harsh weather conditions including extreme wind, heat, and freezing temperatures.
- Protect and secure the trampoline during extreme weather such as strong winds, hail, and lightning. An effective way to prevent damage is to cover the trampoline with an appropriate protective cover and secure the trampoline to the ground to ensure it is not blown away by strong wind.
- Inspect the trampoline before each use and replace any worn, defective, or missing parts.

POTENTIAL HAZARDS OF TRAMPOLINE COMPONENTS

Trampoline frame	Trampoline mat	Frame-padding (where required)	Enclosure system
Bending or breakage	Punctures, frays, tears or holes	Missing, improperly positioned, or insecurely attached	Missing, improperly positioned, or insecurely attached
Broken, stretched, or missing springs	Deterioration in the stitching or fabric	Punctures, frays, tears, or holes	(a) barrier (b) barrier supports (c) pole caps
Sharp protrusions	Sagging	Deterioration of the stitching or fabric	Punctures, frays, tears, or holes
	Sharp protrusions in the suspension system	Damage or degradation	Damage to the support pole padding (when required) Deterioration in the stitching Sagging Bent or broken supports Sharp protrusions in the support structure Broken or damaged entry system

Check the tightness of all nuts and bolts; tighten when required.

Check that all spring-loaded (pit pin) joints are still intact and cannot become dislodged.

Check all coverings and sharp edges and replace them when required.



Safety Net Care

- The trampoline enclosure netting was manufactured with UV resistant material. Despite this, the netting will be exposed to outdoor elements including sunlight, wind, rain, and wildlife. The net surrounding the trampoline must be checked prior to each use. This includes but is not limited to inspecting the net for cracks, excess wear, brittleness, and stretching. Inspect all connections and the entire enclosure for overall integrity.
- The net must be immediately replaced if it shows any signs of wear, damage, stretching, cracking, looseness, brittleness, or other losses in integrity. The following maintenance schedule must be followed:

1-3 Months	3-6 Months	6-12 Months
Inspect the enclosure (net, hanger, and straps) prior to every use.	Inspect the net, hanger, and straps; check for UV damage prior to every use.	Thoroughly inspect the net, hanger, straps, zippers, ties, and strings prior to every use. Replace after 12 months or earlier if necessary.

Safety Padding Care

- Walk around the entire perimeter of the trampoline to visually check for material deterioration, tears, looseness, loss of elasticity, or other damage to the pad.
- Safety padding must be kept loose above the springs. Under no circumstances should the safety padding be leaned on, sat on, or stood on. This weight applies direct contact to the springs and can cause ripping in the safety pads and/or injury.





8. Proper Use

User Responsibilities

Stay in control of your jumps. DO NOT move onto more complicated, difficult manoeuvres until you have mastered the basic, fundamental bounce. Read, understand, and practice all precautions and warnings prior to using the trampoline. A controlled jump is when you land and take off from the same location.

Supervisor/Owner Role In Preventing Injuries

It is the responsibility of the supervisor(s) of the trampoline users to provide knowledgeable and mature supervision. They must understand and enforce all rules and warnings stipulated in this manual in order to minimize the likelihood of accidents and injuries; and to inform users of these rules. During the periods of time when supervision is unavailable or inadequate, the trampoline should be disassembled and stored in a secure place to prevent unauthorized use. The supervisor is also responsible to ensure that the safety placard is placed on the trampoline and that the jumpers are informed of these warnings and instructions.





9. Learning Fundamental Trampoline Skills

The following lessons are suggested to learn basic steps and bounces. Before using the trampoline, you should read and understand all warnings. A complete discussion and demonstration of body mechanics and trampoline guidelines should occur between the supervisor and student as well. Diagrams for the bounces outlined below are on the following page.

Lesson 1

- A. Mounting and Dismounting – Demonstration of proper techniques
- B. The Basic Bounce – Demonstration and practice
- C. Braking (Check the Bounce – Demonstration) and practice. Learn to brake on command
- D. Hands and Knees Bounce – Demonstration and practice. Focus should be on four-point landing and alignment

Lesson 2

- A. Review and practice the techniques learned in Lesson 1
- B. Knee Bounce – Demonstration and practice. Learn the basic down to knee and back up before trying half twist to left and right
- C. Seat Bounce – Demonstration and practice. Learn basic seat bounce, add a knee bounce, then repeat with hands and knees

Lesson 3

- A. Review and practice the techniques learned in previous lessons
- B. Front Drop – To prevent mat burns and learn the front bounce position, all students should be requested to assume the prone position (face down on the ground) while the instructor checks for faulty positions that could cause injury
- C. Start with a Hands and Knees bounce, then extend body into prone position, then return to feet
- D. Practice Routine – Hands and Knees Bounce, Front Bounce, return to feet, Seat Bounce, return to feet, Seat Bounce, return to feet

Lesson 4

- A. Review and practice the techniques learned in previous lessons
- B. Half – Turn
 - i. Start from the front drop position. As contact is made with the mat, push off with arms in either the right or left direction, then turn head and shoulders in same direction
 - ii. During turning, keep the back parallel to the mat, and head up
 - iii. After completing the turn, land in the Front Drop position

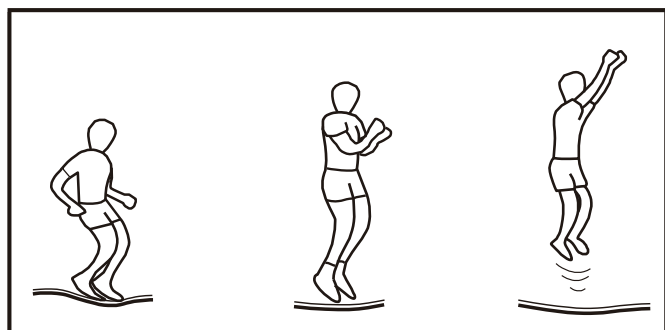
After completing this lesson, the student should have a basic foundation in trampoline bounces. Jumpers should be encouraged to try and develop their own routines with emphasis on control and form.

A game that can be played in order to encourage students to try developing routines is “BOUNCE”. In this game, players count off from 1 to X. Player ONE starts with a manoeuvre. Player TWO has to do player ONE’s manoeuvre and add another. Each player must do the routine properly in the correct sequence. The first person to miss receives the letter “B”. This continues until someone spells out the word “BOUNCE”. The last remaining contestant is deemed the winner. Even when playing this game, it is important to perform your routines under a controlled and do not try difficult or highly skilled bounces that you have not yet mastered.



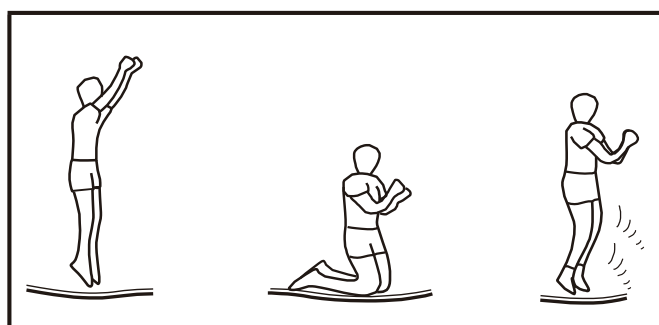
10. Basic Trampoline Bounces

THE BASIC BOUNCE



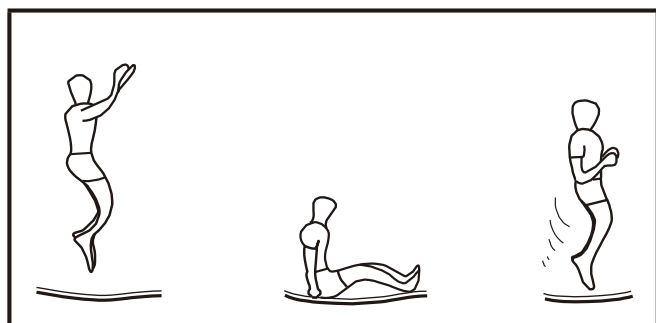
1. Start from the standing position with your feet shoulder width apart, head up, and eyes on the mat
2. Swing arms forward and up in a circular motion
3. Bring feet together while mid-air and point toes downwards.
4. Keep the feet shoulder width apart during landing

THE KNEE BOUNCE



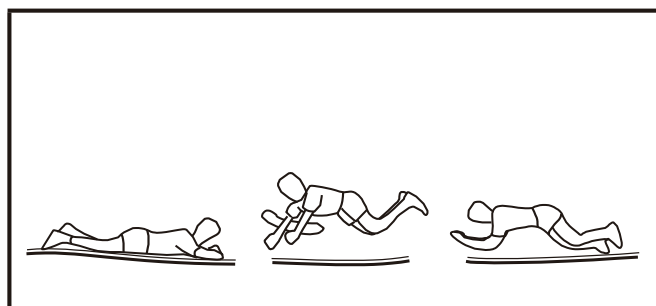
1. Start with the basic bounce and keep low
2. Land on knees with your back straight and body upright, while using your arms to maintain balance
3. Bounce back to the basic bounce position by swinging arms up

THE SEAT BOUNCE



1. Land in a flat sitting position
2. Place hands on mat besides hips, but do not lock your elbow
3. Return to upright position by pushing with hands

THE 180 DEGREE BOUNCE



1. Start with the front bounce position
2. Push off with left or right hands and arms (depending on which way you wish to turn)
3. Keep head and shoulders in the same direction. Keep your back parallel to the mat and your head up
4. Land in the prone position and return to standing position



ACTIVE INTENT PLAY

Warranty

We pride ourselves on producing a range of quality products that are both packed with features and completely reliable. We are so confident in our products, we back them up with one year warranty.

Now you too can relax knowing that you are covered.

Customer Helpline NZ: 0800 422 274

This product is covered by one year warranty when accompanied by proof of purchase.