

living & co.

11fin Oil Heater



INSTRUCTION MANUAL ZOH107-1124


Contents

	Page
Important Safety Instructions	2-3
Product Overview	3
Getting Started	4-5
Operating Instructions	6
Other Useful Information	6-7
Warranty	10

Important Safety Instructions

READ CAREFULLY AND KEEP FOR FUTURE REFERENCE

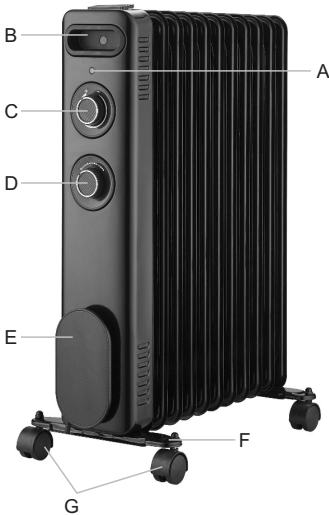
Read this manual thoroughly before first use, even if you are familiar with this type of product. The safety precautions enclosed herein reduce the risk of fire, electric shock and injury when correctly adhered to. Make sure you understand all instructions and warnings. **Keep the manual in a safe place for future reference**, along with any warranty information, your purchase receipt and the original packaging carton. If you sell or transfer ownership of this product, pass on these instructions to the new owner. **Always follow basic safety precautions and accident prevention measures when using an electrical appliance, including the following:**

- This appliance is not intended for use by persons (including children) with reduced physical, sensory or mental capabilities, or lack of experience and knowledge, unless they have been given supervision or instruction concerning use of the appliance by a person responsible for their safety.
- Children should be supervised to ensure that they do not play with the appliance.
- CAUTION - Some parts of this product can become very hot and cause burns. Particular attention has to be given where children and vulnerable people are present.
- If the supply cord is damaged, it must be replaced by the manufacturer, its service agent or similarly qualified persons in order to avoid a hazard.
- Warning: In order to avoid overheating, do not cover the heater. The meaning of figure  in marking is "DO NOT COVER".
- The heater must not be located immediately below a socket-outlet.
- Do not use this heater in the immediate surroundings of a bath, a shower or a swimming pool.
- This appliance only for household use.
- WARNING: Do not use this heater in small rooms when they are occupied by persons not capable of leaving the room on their own, unless constant supervision is provided.
- This heater is filled with a precise quantity of special oil. Repairs requiring opening of the oil container are only to be made by the manufacturer or his service agent who should be contacted if there is an oil leakage. Regulations concerning the disposal of oil when scrapping the appliance have to be followed.
- Do not use this heater if it has been dropped.
- Do not use if there are visible signs of damage to the heater.
- Use this heater on a horizontal and stable surface, or fix it to the wall, as applicable.

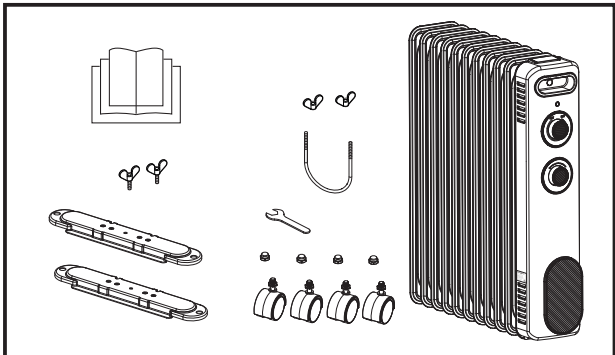
Important Safety Instructions (Continued)

- **WARNING:** To reduce the risk of fire, keep textiles, curtains, or any other flammable material a minimum distance of 1m from the air outlet.
- Do not attempt to repair, disassemble or modify the appliance. There are no user-serviceable parts inside.
- **CAUTION** – if using an extension lead please ensure you do not exceed the maximum rated running wattage/load of the extension lead.
- Disconnect from mains when not in use or when moving or cleaning.
- The heater is hot when in use .To avoid burns, do not let bare skin touch hot surface.

Product Overview



- A-Pilot indicator light
- B-Handle
- C-Adjustable thermostat
- D-Power switch
- E-Cable holder
- F-Wheel base
- G-Caster wheels



Getting Started

Before first use

- **Unpacking:** This product has been packaged to protect it against transportation damage. Unpack the appliance and keep the original packaging carton and materials in a safe place. It will help prevent any damage if the product needs to be transported in the future, and you can use it to store the appliance when it is not in use. In the event it is to be disposed of, please recycle all packaging materials where possible.
- **Inspection:** Unwind the cord to its full length and inspect it for damage. Do not use the appliance if the appliance or its cord have been damaged or are not working properly. In case of damage, contact our after sales support centre for advice on examination, repair or return of the damaged product.

Assemble the wheels

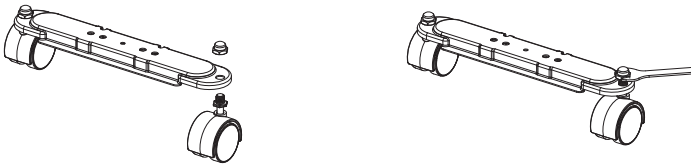


Fig A

Fit the wheels into the bases, and fasten the nuts by supplied small wrench as Fig A.

Assemble the wheel bases

Turn the radiator upside-down on a scratch-free and stable surface to prevent damage to the paint finish or your floor surfacing (see Fig 1).

- Attach one wheel+baseplate assembly to the heater by inserting the U-shaped bolt between the last two fins of the radiator, then securely fasten the wheel+baseplate assembly onto the heater by screwing the wing nut onto the U-shaped bolt (see Fig 2 - 4).

Note: do not over tighten, which may cause the damage of radiator flange. Attach the other wheel+baseplate assembly at the bottom of control panel, then securely fasten

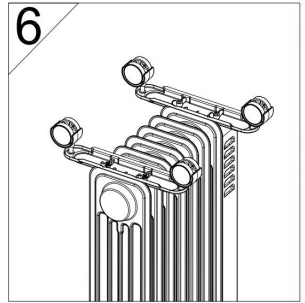
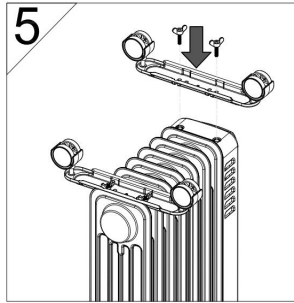
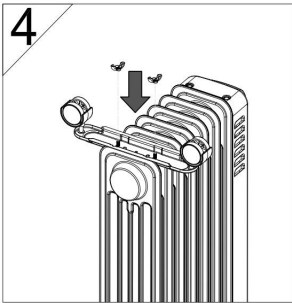
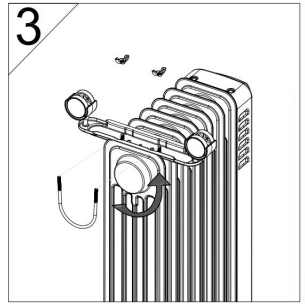
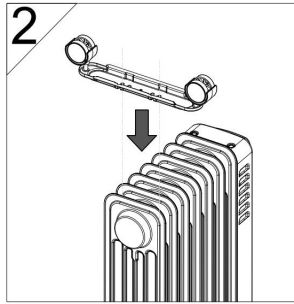
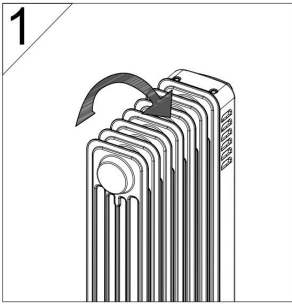
- the wheel+baseplate assembly onto the heater by the two screws (see Fig 5).

Getting Started (Continued)

IMPORTANT: Please fit the wheel+baseplate assemblies as shown above. Other positions may affect the stability of the unit.

NOTE: Before wheel base assembly, first install the wheels onto the wheel bases first.

WARNING: Only operate the radiator in the normal upright position with wheels assemblies attached to the bottom (wheels at the bottom, controls on the top), any other position could create a hazardous situation.



Operating Instructions

- Place the product in an upright position on a flat, steady, stable, heat-resistant surface. Make sure there is nothing flammable or heat sensitive within 1 meter (40 inches). Operating the product in any other position could cause a hazard.
- Insert the plug into a suitable wall outlet after turning the thermostat knob counter-clockwise to the minimum position and setting the power switch to “0” for off. The heater is suitable for operation on an A.C. electricity supply having the same voltage as that show on its rating label.
- Turn the power switch from “0” to either “●” (Minimum heating), “●●” (Medium heating) or “●●●” (Maximum heating).
- Turn the thermostat knob clockwise to maximum position. When the room temperature rises to a comfortable level, slowly turn thermostat counter-clockwise until the indicator light just goes out. To adjust the room temperature turn the thermostat clockwise to raise the temperature, or counter-clockwise to lower it. Thus the heater will attempt to keep the room temperature at the desired level.
NOTE: The pilot light cycles on and off during operation, controlled by the thermostat to regulate the room temperature.
- To turn off the heater, set the power switch to “0” position. Unplug the product from the electrical outlet when it is left unattended or is not in use.

Other Useful Information

Safety features:

Tip-over protection

This heater is protected with a safety switch that turns off the appliance automatically when the heater falls over, or is at an excessive angle from the horizontal. This helps prevent accidents, and the heater will resume operation when it is put back upright.

Overheat protection

This heater is protected with overheat protection that switches off the appliance automatically in case of severe overheating. In this case, unplug the appliance, wait about 30 minutes for it to cool and remove any possible cause of overheating, eg. something covering the heater. Check for damage to the appliance, the cord and the plug. If there is no damage, plug the unit back in and switch it on as described above. If the heater still does not turn on, please contact Customer Service for assistance.

Other Useful Information (Continued)

Technical Specification:

- 220-240V~50Hz, 2000-2400W, Class I

MAINTENANCE

- Always remove the plug from the socket-outlet and allow the radiator to cool down before you clean the heater.
 - Wipe radiator with a soft damp (not wet) cloth.
 - Use a vacuum cleaner with a small brush attachment or crevice tool, to periodically vacuum dust and foreign objects from the external surfaces and between the radiator fins.
- WARNING:
- Do not immerse the heater in water.
 - Do not use any cleaning chemicals such as detergents and abrasives.
 - Do not allow the interior to get wet as this could create a hazard.
- To store away the heater, wind the cable around the cord support bobbin and store the heater in a clean dry place.
- In case of malfunction or doubt, do not try to repair the radiator yourself, it may result in a fire hazard or electric shock.

Compliance

This appliance has been fully tested and meets all requirements as set out by standard AS/NZS 60335.2.30 in conjunction with AS/NZS 60335.1.



The RCM Mark (Regulatory Compliance Mark) indicates that the product complies with the National requirements for the safety and EMC requirements of electrical devices.

Responsible disposal

- At the end of its working life, make the appliance unserviceable by unplugging it from the power outlet and cutting the power cord.
- Do not throw this appliance out with your household rubbish. Electrical and electronic products contain substances which can have a detrimental effect on the environment and human health if disposed of inappropriately. Observe any local regulations regarding the disposal of electrical consumer goods and dispose of it appropriately for recycling. Contact your local council for advice on recycling facilities in your area.



living & co.

Warranty

We pride ourselves on producing a range of quality home appliances that are both packed with features and completely reliable. We are confident in our products, we back them up with a 2 year warranty. Now you too can relax knowing that you are covered.

Customer Helpline NZ: 0800 422 274

This product is covered by a 2 year warranty when accompanied by proof of purchase.

IM Version 1.0 November 2025