

285x210mm 25.10.13

Responsible Disposal

At the end of its working life, do not throw this product out with your household rubbish. Electrical and electronic products contain substances that can have a detrimental effect on the environment and human health if disposed of inappropriately. Observe any local regulations regarding the disposal of electrical consumer goods and dispose of it appropriately for recycling. Contact your authorities for advice on recycling facilities in your area.

Please keep the original packaging carton and materials in a safe place. It will help to prevent any damage if the product needs to be transported in the future. In the event it is to be disposed of, please recycle all packaging material where possible.



Kensington.

Warranty

We pride ourselves on producing a range of quality home appliances that are both packed with features and completely reliable. We are so confident in our products, we back them up with a 2 year warranty. Now you too can relax knowing that you are covered.

Customer Helpline NZ: 0800 422 274
This Product is covered by 2 year warranty when accompanied by proof of purchase.

IM Version 1.0 - September 2025

Kensington.

AFTER SALES SUPPORT
0800 422 274

Kensington.

Convector Heater



Instruction Manual MODEL: DL08LT-LP

Kensington.

AFTER SALES SUPPORT
0800 422 274

Care and Cleaning

CLEANING AND MAINTENANCE

Before cleaning

- When not in use or before cleaning, always disconnect the appliance from the mains supply.

Cleaning

- Cleaning can only be done when the unit is cooled. Do not immerse the whole unit in water or other liquid. Do not use harsh solvents on this unit.

- Wipe the exterior of the appliance with a damp cloth. Dry the unit completely with a dry towel.

Damage check

- Always check that the appliance is not damaged, is in good working order and that all parts are secure. Check the power supply cord and plug regularly for cuts or damage. For safety purposes, DO NOT use the heater if damage is found.

Store in safe place

- When not in use, store your appliance and the instructions manual together in a safe and dry place.

NOTE: Always clean and store away your appliance with this instruction manual when not in use.

TECHNICAL SPECIFICATION

Model No.: DL08LT-LP
Supply: 220-240V- 50Hz
Wattage: 2100-2400W

Kensington.

AFTER SALES SUPPORT
0800 422 274

Contents

03 General Care and Safety Guide

05 Operating your Appliance

09 Care and Cleaning

Kensington.

AFTER SALES SUPPORT
0800 422 274

General Care and Safety Guide

IMPORTANT SAFEGUARDS

When using electrical appliances, basic safety precautions should always be followed to reduce the risk of fire, electric shock, and injury to persons, including the following:

1. Read all instructions before using the appliance.
2. To avoid fire or shock hazard, plug the appliance directly into a 220-240V AC electrical outlet.
3. DO NOT use external timer, separate remote control system, and extension cable or external adaptor with the appliance.
4. The appliance is hot when in use. To avoid burns, DO NOT touch any hot surfaces. Keep combustible materials, such as furniture, pillows, bedding, papers, clothes, and curtains at least 3.3ft (1.0m) from the front of the heater and keep them away from the sides and rear.
5. To prevent a possible fire, DO NOT block air intakes or exhaust vents in any manner. DO NOT use on soft surfaces, like a bed, where openings may become blocked.
6. DO NOT move the appliance when it is operating. Only move the appliance when it is cool.
7. DO NOT run cord under carpeting. DO NOT cover cord with throw rugs, runners, or the like. Position the cord away from traffic area and where it will not be tipped over.
8. Do not abuse or damage the power cord. Fully unwind the cord before use as a coiled cord may overheat. Do not allow the supply cord to touch hot surfaces. Discontinue use if plug or outlet is hot. It is recommended that the mains power outlet must be replaced by an electrician if plug or outlet is too hot to touch.
9. Connect to a suitable mains power socket, corresponding to the electrical ratings on the heater. Do not overload the household mains power circuit.
10. This appliance is not intended for use in bathrooms, laundry areas and similar indoor location where this it may come in contact with water. NEVER locate appliance where it may fall into a bathtub or other water container. Do not use this heater in the immediate surroundings of a bath, a shower or a swimming pool.
11. Do not immerse any part of this appliance or supply cord in water. Do not use with wet hands or use in any damp conditions.
12. Extreme caution is necessary when any appliance is used by, or near children or invalids, and whenever the appliance is left operating and unattended.
13. Always unplug the appliance when not in use.
14. When unplugging, be sure to pull by the plug and not the cord.
15. DO NOT insert or allow foreign objects to enter any ventilation or exhaust vent opening as this may cause an electric shock or fire, or damage the appliance.
16. DO NOT operate the appliance with a damaged cord or plug, or after the appliance malfunctions, has been dropped or damaged in any manner.
17. If the supply cord is damaged, it must be replaced by a qualified electrical person only in order to avoid a hazard or the heater must be disposed of.
18. Return appliance to the retail store or qualified service agent for examination, electrical or mechanical adjustment, or repair.
19. The appliance has hot and sparking parts inside. DO NOT use it in areas where gasoline, paint, or flammable liquids are used or stored.

Kensington.

AFTER SALES SUPPORT
0800 422 274

Operating your Appliance

4. Timer setting:

A switch ON time or a switch OFF time can be set from 1h - 24h.
4.1 Under ON mode, set one your desired function (e.g. Low Heat Output/ High Heat Output/ Auto Mode/ Frost Protection Mode), then press **ON** button to enter into TURN ON timer setting. The icon **ON** & **ON** will light on. Press buttons **+** **-** to select the desired range between 1 to 24 hours. The timer will increase or decrease by 1 hour after each press. The setting will be memorized and confirmed after 3 seconds.

For example, if you set the timer to 1 hour, the heater will switch ON automatically after 1 hour.

Note: You can cancel the TURN ON timer by pressing ON/OFF button or by changing the current function setting.

4.2. Under ON mode, set one your desired function (e.g. Low Heat Output/ High Heat Output/ Auto Mode/ Frost Protection Mode), press **ON** button **twice** to enter into TURN OFF timer setting. The icon **ON** & **ON** will light on. Press buttons **+** **-** to select the desired range between 1 to 24 hours. The timer will increase or decrease by 1 hour after each press. The setting will be memorized and confirmed after 3 seconds.

For example, if you set the timer to 1 hour, the heater will switch OFF automatically after 1 hour.

Note: You can cancel the TURN OFF timer by pressing ON/OFF button or by changing the current function setting.

5. Child Lock

Press the **+** and **-** button simultaneously for 5 seconds to activate the child lock function for ON or OFF. The symbol **CL** will light up or go out on the LED display.

Settings can be adjusted again after turning off the child lock function.

Note: This function can only be set from the heater, and not by remote control.

OPERATING SOUND

The appliance emits a beep upon each operation setting.

NOTE: There is a tip-over switch inside the heater. If the heater is knocked over, the power to the heater will shut off automatically. Position heater back to upright position will reset heater back to standby mode.

NOTE: The heater may emit small amount of smoke and odour when used for the first time. This is normal and caused by the lubricant on the heating element during the production process. It is non-toxic. If the smoke and odour are excessive, use the heater in a ventilated area. The smoke and odour should disappear after a few minutes of use.

WARNING! FOR ELECTRICAL SAFETY THIS APPLIANCE MUST BE PLUGGED INTO AN EARTHED ELECTRICAL POWER SOCKET OUTLET!
If you are uncertain, please consult an electrician.

Kensington.

AFTER SALES SUPPORT
0800 422 274

Operating your Appliance

GENERAL OPERATION

THIS APPLIANCE MUST BE EARTHED.

- Ensure the ON/OFF control switch is in the OFF (position '0') position before connecting to mains power.
- Make sure the appliance, including the plug and cord, is not damaged.
- Insert power plug into a wall socket with correct power output, 220-240V 50Hz.

The buttons of touchscreen located on the product correspond to the remote control functions.

1. Connect the appliance to a safety socket, and switch on the POWER SWITCH on the side panel. After a beep sound, the heater enters into standby mode and the screen shows the approx. ambient temperature in the room.

2. Power setting:

2.1 Press the ON/OFF button **ON**, the heater goes into "Auto Mode" for heating and icon **ON** lights on.
Note: Under "Auto Mode", the default setting temperature is 25°C, the heater will start heating or stop automatically. But you can set your desired temperature by pressing the button **+** **-**.

2.2 The button **ON** is a multi-function switch. Press the button **ON** in turns, the heater can obtain the following functions.

- Low Heat Output (1200W) **ON**
- High Heat Output (2400W) **ON**
- Auto Mode **ON**
- Frost Protection Mode **ON**

Note: Under "Frost Protection mode", the default setting temperature is 7°C and when the room temperature is lower than 7°C, the heater will start heating.

3. Temperature setting:

The ambient temperature is displayed every time the appliance starts up. The temperature can be set when the appliance is operating. (except Frost Protection Mode) The temperature regulation range is 5°C- 45°C.

- Press the button **+** or **-** to set the temperature. The temperature will increase or decrease by 1°C after each press. The preset temperature will be memorized and confirmed after 3 seconds.

- When the ambient temperature is higher than the preset temperature, the heater will stop heating.

- When the ambient temperature is lower than the preset temperature, the heater will start heating automatically.

IMPORTANT! After setting, the shown temperature on the display screen is the ambient temperature. The heater will start to function only when the set temperature is higher than the ambient temperature.

Kensington.

AFTER SALES SUPPORT
0800 422 274

General Care and Safety Guide

21. Use appliance only for intended household use only as described in this manual. Any other use not recommended by the manufacturer may cause fire, electric shock, or injury to persons. The use of attachments not recommended or sold by the manufacturer cause hazards.
22. This appliance is designed for indoors ONLY. DO NOT use outdoors.
23. To disconnect the appliance, turn the ON/OFF timer control switch to "OFF" (Position '0') BEFORE removing the plug from main power outlet.
24. Avoid the use of an extension cords, extension cord may overheat and cause a risk of fire.
25. DO NOT attempt to service this appliance yourself. Service and repairs to the items must be done by a qualified electrical person for repair.
26. Keep this instruction with the appliance. If the appliance is to be used by a third party, this instruction must be supplied with the item.
27. The safety instructions do not by themselves eliminate any danger completely, proper accident prevention measures and common sense must always be used.
28. Use of parts or accessories that do not come with the unit may cause danger and injuries.
29. This appliance is not intended for use by persons (INCLUDING CHILDREN) with reduced physical, sensory or mental capabilities, or lack of experience and knowledge, unless they have been given supervision or instruction concerning use of the appliance by a person responsible for their safety. Children should be supervised to ensure that they do not play with the appliance.
30. Heater must not be located immediately below a socket-outlet
31. NO liability can be accepted for any damage caused by non-compliance with these instructions or any other improper use or mishandling.
32. Do not use this heater if there are visible signs of damage to the heater.
33. Use this heater on a horizontal and stable surface, or fix it to the wall, as applicable.
34. **WARNING:** In order to avoid overheating, DO NOT COVER the heater.
35. **WARNING:** This heater is not equipped with a device to control the room temperature. Do not use this heater in small rooms when they are occupied by persons not capable of leaving the room on their own, unless constant supervision is provided.
36. **WARNING:** Fire risk exists if the heater is covered by or positioned closed to curtains or other combustible materials.
37. **WARNING:** To reduce the risk of fire, keep textiles, curtains, or any other flammable material a minimum distance of 1m from the air outlet.
38. **CAUTION:** In order to avoid a hazard due to inadvertent resetting of the thermal cut-out, this appliance must not be supplied through an external switching device, such as a timer, or connected to a circuit that is regularly switched on and off by the utility.
39. Do not use this heater if it has been dropped.
40. For the details how to fix rollers or feet delivered, please referred to section "FOOT ASSEMBLY".
41. For cleaning, please refer to the "CLEANING AND MAINTENANCE" section.
42. For cleaning, please refer to the "CLEANING AND MAINTENANCE" section.

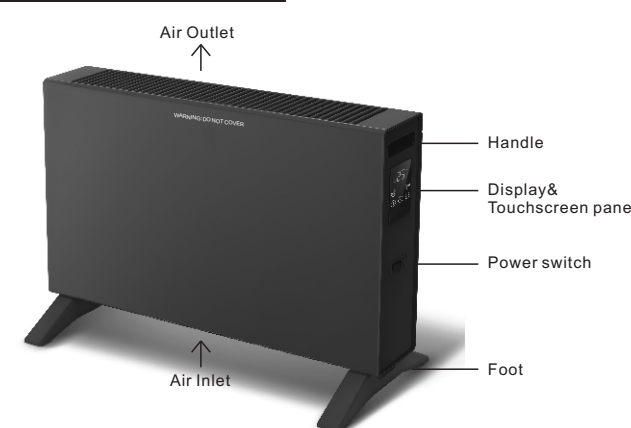
SAVE THESE INSTRUCTIONS
FOR HOUSEHOLD USE ONLY

Kensington.

AFTER SALES SUPPORT
0800 422 274

Operating your Appliance

PRODUCT SPECIFICATION



PACKAGE CONTENTS

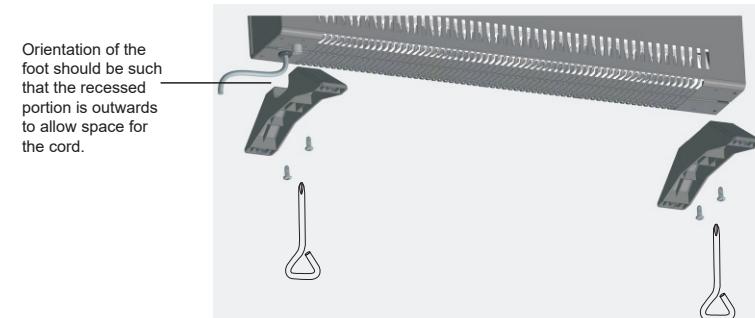
1. Main Unit
 1. Instruction Manual
 2. Moulded Feet
 4. Screws for foot assembling
1. Screwdriver
1. Remote control

NOTE: Confirm all parts before disposing of carton. Safely dispose of all plastic bags and other packaging components. They may be potentially dangerous to children.

FOOT ASSEMBLY

The device must be installed so that airflow is not obstructed.

- Carefully turn the unit upside down. Use the Screws to fix the Feet onto the Heater. Take care to ensure that they are located correctly at the bottom ends of the heater side molding.
- Be sure to place the convector heater on a flat surface.



Kensington.

AFTER SALES SUPPORT
0800 422 274

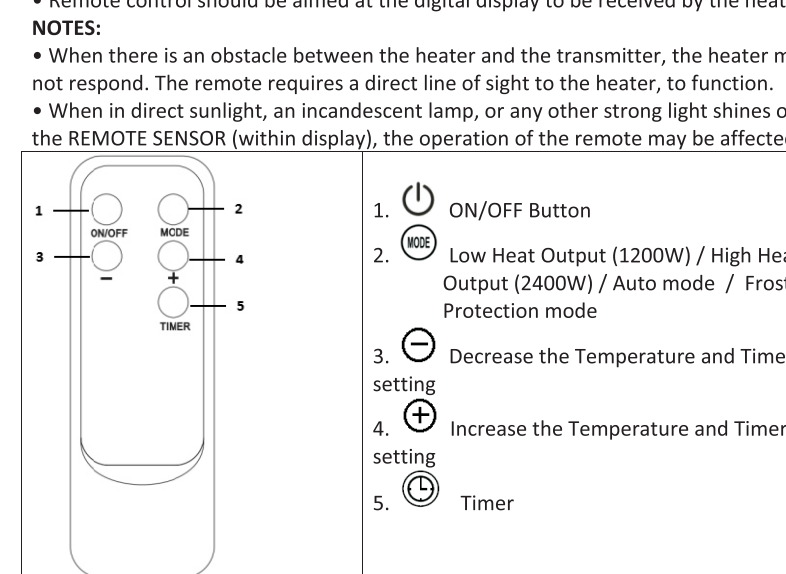
Operating your Appliance

REMOTE AND PANEL CONTROL

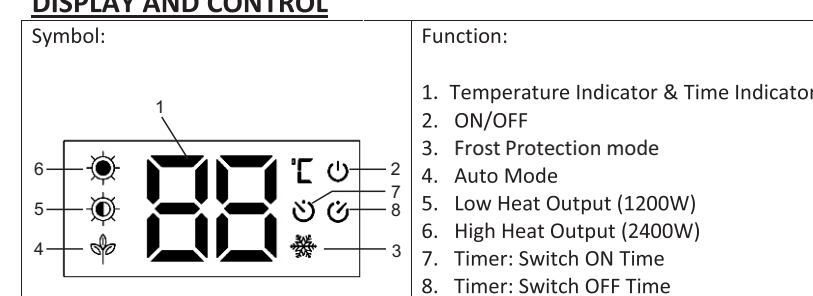
- Remove the battery cover, by pressing and sliding off. Install the two "AAA" batteries into the remote-control taking care to observe the polarity markings. Refit the slide cover.
- All functions performed with the remote-control work identically to the manual controls.
- Remote control should be aimed at the digital display to be received by the heater.

NOTES:

- When there is an obstacle between the heater and the transmitter, the heater may not respond. The remote requires a direct line of sight to the heater, to function.
- When in direct sunlight, an incandescent lamp, or any other strong light shines on the REMOTE SENSOR (within display), the operation of the remote may be affected.



DISPLAY AND CONTROL



Kensington.

AFTER SALES SUPPORT
0800 422 274