

2024-12-19

130.00 mm

190.00 mm

living & co.

Panel Heater



**User Manual
Model PH01-1000**

**PLEASE READ AND SAVE THESE
INSTRUCTIONS FOR FUTURE REFERENCE**

AFTER SALES SUPPORT

☎ NZ 0800 422 274

Contents

03 General Care and Safety Guide

04 Operating your Appliance

08 Care and Cleaning

General Care and Safety Guide

Thank you for choosing a Living & Co Upright Panel Heater. This Living & Co appliance has been designed and manufactured to high standards of engineering and with proper use and care, as described in this booklet, will give you years of useful service. Please read these instructions carefully and keep for future reference.

1. **WARNING** you must not cover this appliance. Covering this appliance presents fire risk and will activate the safety fuse, permanently disabling the unit.
2. Use only the voltage specified on the rating label of the appliance.
3. Keep all objects at least 1 metre from the front, sides and rear of the appliance.
4. This appliance is intended for household use only and not for commercial or industrial use.
5. Indoor use only.
6. Do not use abrasive cleaning products on this appliance. Clean with a damp cloth (not wet) rinsed in hot soapy water only. Always remove plug from the mains supply before cleaning.
7. The common cause of overheating is deposits of dust or fluff in the appliance. Ensure these deposits are removed regularly by unplugging the appliance and vacuum cleaning the air vents and grilles.
8. Disconnect from the supply, allow to cool down and take care when moving or repositioning the appliance.
9. When the appliance has been unpacked, check it for transport damage and ensure all parts have been delivered. If parts are missing or the appliance has been damaged, contact the Living & Co Customer Services Team.
10. If your appliance does not work, or is not working properly, contact the supplier.
11. Do not connect the appliance to the mains electrical supply until completely assembled and adjusted.
12. Do not sit on the appliance.
13. Do not locate the appliance directly below any power socket outlet.
14. Ensure appliance is on a flat, stable, heat-resistant surface.
15. Do not operate with the supply cord set coiled up as a heat build up is likely, which could be sufficient to become a hazard.
16. Carry out regular checks of the supply cord to ensure no damage is evident.
17. Do not operate this appliance with a damaged cord, plug or after the appliance malfunctions or has been dropped or damaged in any manner. Return to a qualified electrical person for examination, electrical service or repair.
18. Do not remove plug from power socket by pulling cord; always grip plug.
19. There are no user serviceable parts installed in the unit.
20. **It is strongly recommended that this appliance is plugged directly into the wall socket. The use of power boards (multi-boards) is not recommended as many power boards are not designed to supply power to high wattage appliances.**
21. A correctly specified, undamaged extension cord may be used with this appliance provided it is used in a safe manner.
22. For additional safety, it is recommended to use the appliance with a residual current device (RCD) with a rated operating residual current not exceeding 30mA.
23. Use this appliance only as described in this manual. Any other use is not recommended by the manufacturer and may cause fire, electric shock or injury.
24. Do not remove plug from power socket until the appliance has been switched off.
25. Do not place supply cord under carpet or cover with rugs or furniture. Arrange the cord so that it does not present a trip hazard.
26. Do not place appliance on bedding or on thick & long carpet where the openings may get blocked.
27. Always unplug the appliance when not in use.
28. Do not place appliance close to radiant heat sources.
29. Never use the appliance to dry clothes.
30. Do not insert or allow foreign objects to enter any ventilation or exhaust opening, as this may cause an electric shock, fire or damage to the appliance.
31. Ensure hands are dry before handling or operating.
32. Do not operate in areas where petrol, paint or other flammable liquids are used or stored.
33. This appliance is not intended for use by persons (including children) with reduced physical, sensory or mental capabilities or lack of experience and knowledge, unless they are supervised or have been given instruction concerning the use of the appliance by a person responsible for their safety.
34. Children should be supervised to ensure that they do not play with the appliance.
35. Do not use this appliance in the immediate surrounds of a bath, a shower, or a swimming pool or other liquids. The appliance must not be immersed in any liquids.
36. Do not place the unit in wardrobes or other enclosed spaces as this may cause fire hazards.
37. Never leave the heater unattended while it is in use. Always turn the product to the OFF position and unplug from the electrical outlet when not in use.
38. This heater is hot when in use. To avoid burns or personal injury, do not let bare skin touch hot surfaces.
39. Ensure the supply cord is away from heated surfaces.
40. Do not twist, kink or wrap the cord around the appliance, as this may cause the insulation to weaken and split.

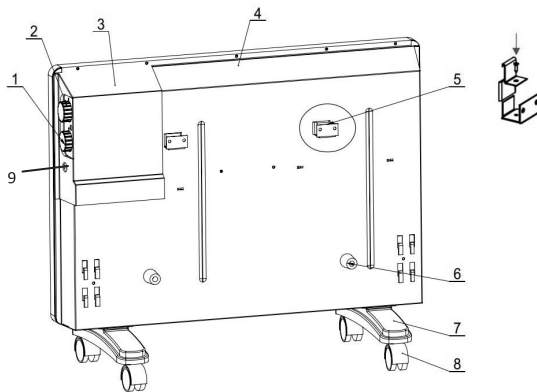
YOUR SAFETY IS IMPORTANT TO US. PLEASE ENSURE YOU TAKE NOTE OF THE INSTRUCTIONS AND WARNINGS OUTLINED IN THIS MANUAL.

living & co.

AFTER SALES SUPPORT
  0800 422 274

Operating your Appliance

PRODUCT OVERVIEW



- | | | |
|----------------------|---------------------------|---|
| 1: Power switch knob | 2: Thermostat knob | 3: Control panel |
| 4: Rear panel | 5: Wall mounting brackets | 6: Rubber stand-off (for wall mount option) |
| 7: Support Feet | 8: Castor wheels | 9: Indicator light |

PACKAGE CONTENTS

1 Main Unit 1 Instruction Manual 1 set of paper card packaging 2 pairs of castor wheels with support feet
 1 Wall mounting kit (comprising support brackets / rubber stand off's and screws)

NOTE: Confirm all parts before disposing of carton. Safely dispose of all plastic bags and other packaging components. They may be potentially dangerous to children.

5

ASSEMBLY AND OPERATING INSTRUCTIONS

Before Using the appliance:

NOTE: The product can be configured for portable use or for permanent wall fixing – either assembly process must be carefully followed and operation of the product must not be attempted until installation is complete.

- Ensure all packaging material has been removed from the heater and inlet / outlet grilles are unobstructed.

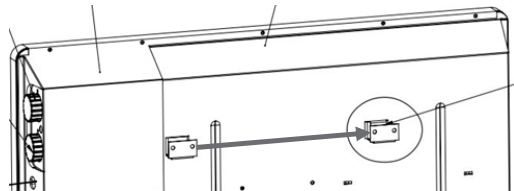
PORTABLE USE:

- Attach the caster wheels / wheel support brackets to the underside of the heater enclosure as shown in the image above (product overview), ensure that the screw holes are properly aligned, then tighten the screws (supplied) to secure.

- **WARNING:** DO NOT ATTEMPT TO OPERATE THE HEATER WITHOUT ATTACHING THE SUPPORT BRACKET / CASTOR WHEELS.

WALL MOUNTING :

- Identify a suitable location for the heater on a wall that is sturdy and clear from obstacles.
- Ensure that the heater is not positioned behind a door or cupboard. If installing beneath a surface (e.g. a cupboard), ensure that there is a minimum clearance of 400mm from the top of the heater.
- Ensure the location is such that the supply cord can reach a suitable socket outlet without being stretched or taught.
- The heater should be located approximately 150 mm – 500 mm from the floor. There should be a minimum distance of 1 metre from all surfaces of the heater to upholstery / curtains. Do not mount the heater over or below a socket outlet.
- Fit the two rubber stand-off's (See Item 6 in product overview) to the rear of the heater using the screws supplied. These parts are required so that the heater sits evenly with the wall surface.
- The heater has two slots on the back, designed for the hanging brackets to 'hook' onto the heater slots.

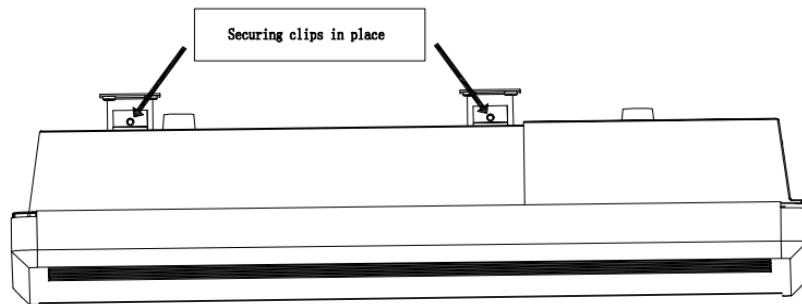


- The hanging brackets are to be mounted 170mm from each other.



6

- Mark the proposed position onto the wall, check both are level and that the location aligns with a wall stud / Nog and if not, then use suitable wall fixings plugs (not provided) to ensure reliable and secure fitment of the screws.
- Once the brackets are reliably fixed to the wall, offer the heater tilted forwards slightly, to hook onto the brackets, then allow to rest against the wall. Check that the heater is secure and level.
- Fit the securing clips by offering onto the top of the hanging brackets (space between the back of the heater and wall). Then fit retaining screws to secure the clips in place. **WARNING:** Failure to fit these clips will allow the possibility of the heater to “unhook” and displace from the mounting brackets, which could result in personal injuries, an electrical hazard or fire risk.



NOTE 1 : The heater may emit a small amount of smoke and odour when used for the first time. This is normal and caused by the lubricant on the heating element during the production process. It is non-toxic. If the smoke and odour are excessive, use the heater in a ventilated area. The smoke and odour should disappear after a few minutes of use.

NOTE 2: When moving the heater, a 'rattling' noise in the upper portion of the heater maybe noted. This is normal and is caused by the mechanical parts of the tip-over safety switch.

OPERATION:

- Locate the heater on a stable / level and secure surface well clear from external items including walls / curtains / furniture etc.
- Make sure the appliance, including the plug and cord are not damaged.
- Insert power plug into a wall socket with correct voltage output, 220-240V 50Hz and switch the socket outlet on.
- Use the rotary control switch to select the heating level (Heat "I" 500W / Heat "II" / 1000W). The appliance can be switched off by adjusting the rotary knob to the '0' position.
- The adjustable thermostat knob can be used to set and regulate the temperature. Turn the rotary thermostat dial to MAX to increase temperature and rotate to '0' to decrease temperature.
- The heater will switch ON and OFF to maintain the desired heat setting.

IMPORTANT SAFETY FEATURES

1. Your heater is equipped with an Overheat Protection System. When the threshold temperature has been reached, your heater will turn off automatically.

To reset your heater when the Overheat Protection System has been activated, perform the following steps:

- Turn the 'Adjustable thermostat to the minimum position.
- Disconnect the power cord from the mains electrical power outlet.
- Ensure that all vent grilles are clear from obstructions.
- Allow your heater to cool down for approximately 60 minutes.
- Plug your heater back into mains power and switch the power socket switch on, the heater will resume normal operation.

2. This heater is equipped with a tip-over safety switch inside the heater. If the heater is not placed on a flat surface or if it is knocked over, the power to the heater will shut down automatically.

TURNING OFF THE APPLIANCE

- To turn the device off, turn the rotary control knob to the off position ("0"). If the heater is not expected to be used within several hours, we would also suggest switching the socket outlet off and disconnecting the appliance plug from the socket.

Care and Cleaning

CLEANING AND MAINTENANCE

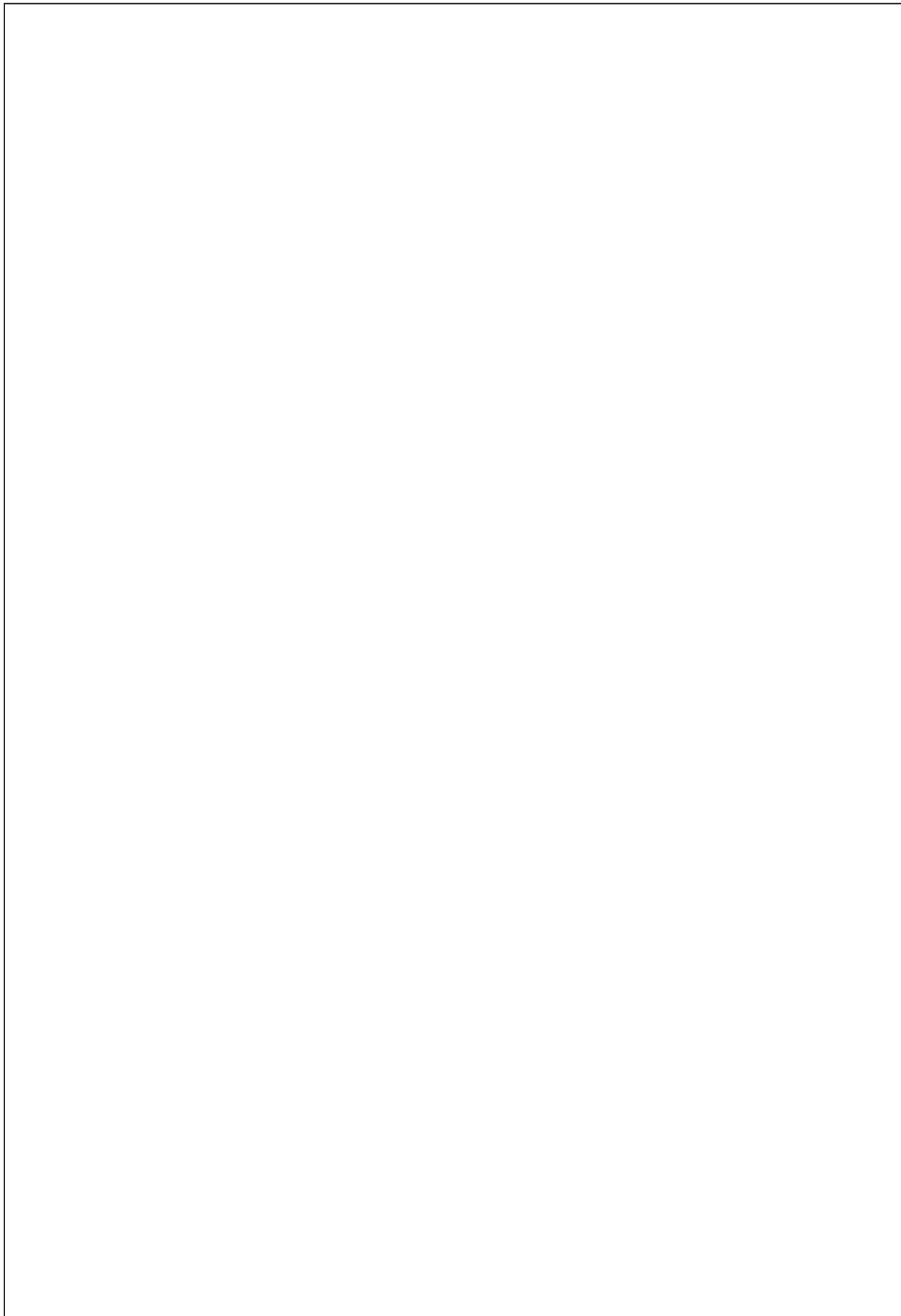
- Switch off the appliance, unplug from the socket outlet and allow the appliance to cool down.
- The external surface can be gently wiped down with a soft dry or damp cloth. Do not use detergents or abrasive cleaners.
- Dust deposits / cobwebs etc, should be regularly removed from the surface in particular the ventilation grilles.
- Never attempt to insert any object within the heater.

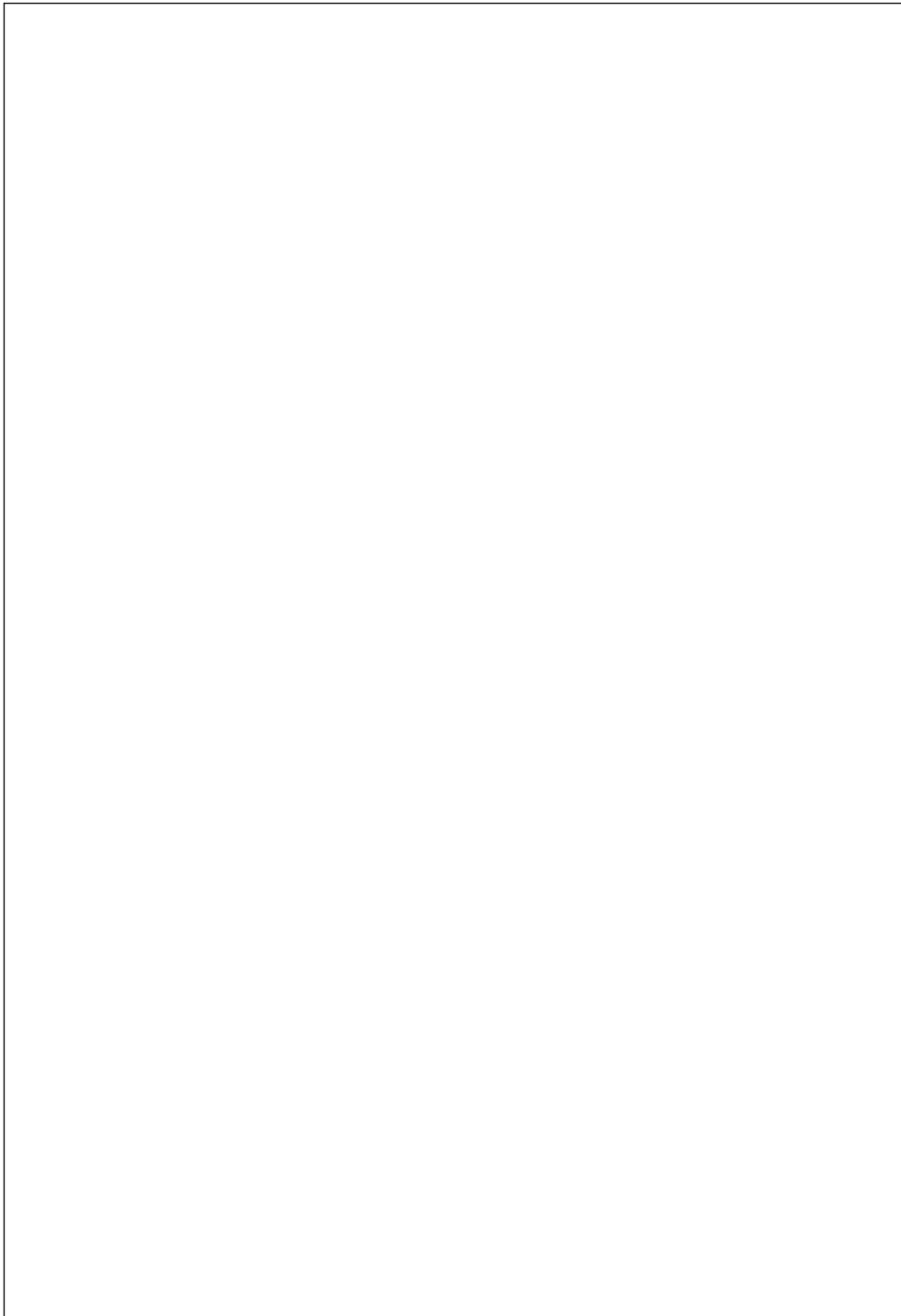
STORAGE

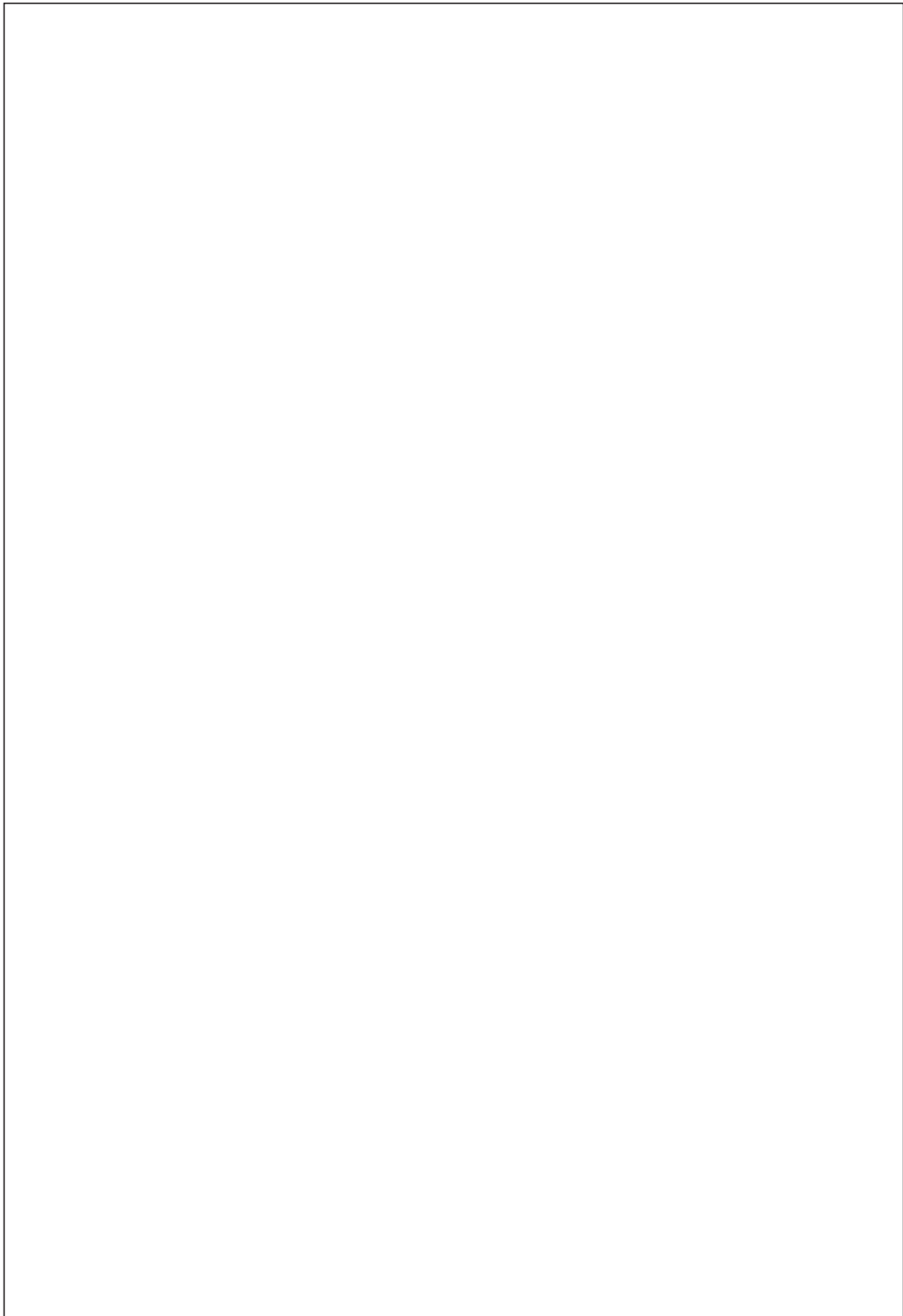
- Switch off the appliance, unplug from the socket outlet and allow the appliance to cool down. Ensure completely cool (this may take approximately 2 hours).
- Follow the instructions given for cleaning and maintenance.
- Keep the appliance in a dry / cool and low humidity location.
- The appliance can be stored in the original packaging box or other suitable location, protected from impact.

TECHNICAL DATA

| Model | Voltage | Frequency | Power I / II |
|-----------|----------|-----------|--------------|
| PH01-1000 | 220-240V | 50Hz | 500W/1000W |









living & co.

Warranty

We pride ourselves on producing a range of quality home appliances that are both packed with features and completely reliable. We are so confident in our products, we back them up with a 2 year warranty.

Now you too can relax knowing that you are covered.

Customer Helpline NZ: 0800 422 274
This Product is covered by 2 year warranty when accompanied by proof of purchase.

living & co.

AFTER SALES SUPPORT
☎ NZ 0800 422 274