

# 3 TIER WORKBENCH (B/C:9400070345581) ASSEMBLY INSTRUCTIONS

The only tool you require is a MALLET

## LIST OF PARTS



3x 9mm MDF Shelves



4x Keyhole uprights



8x Plastic feet



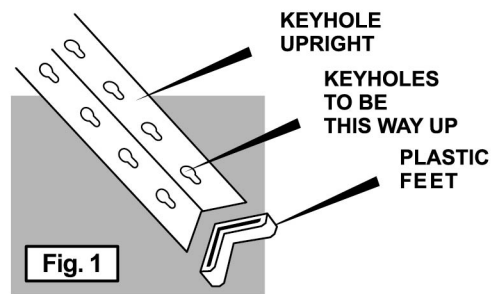
6x Long standard shelf support



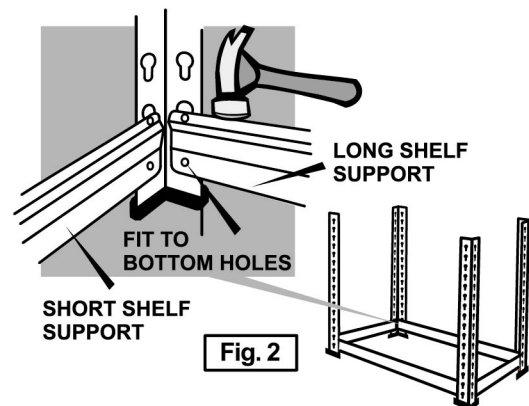
6x Short standard shelf support

## ASSEMBLY INSTRUCTIONS

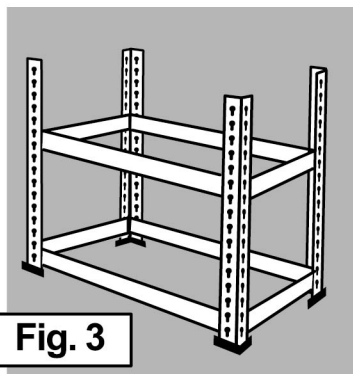
- 1 Attach a plastic feet to each end of the 4 keyhole uprights. Ensure keyholes are the correct way up. (Pic 1).



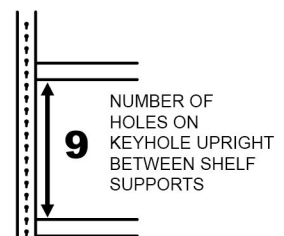
- 2 Fit 2 short standard shelf support and 2 long standard shelf support (note end profile) to the bottom holes (for maximum strength) of 4 keyhole upright by slotting the keylock pins in the supports into the keyholes in the uprights and tapping firmly with a mallet to seat in place. (Pic 2).



- 3 Fit 2 short standard shelf support and 2 long standard shelf support where you want the 2nd shelf to be positioned. These supports must not be in the top 2 holes of the key hole uprights (we have shelf position recommendation listed below).



### SHELF POSITION RECOMMENDATIONS



- 4 Fit 2 short standard shelf support and 2 long standard shelf support where you want the 3rd shelf to be positioned. These supports must not be in the top 2 holes of the key hole uprights (please find shelf position recommendation). At last place the 3 MDF shelves onto the 3 shelf supports to finished assembly.