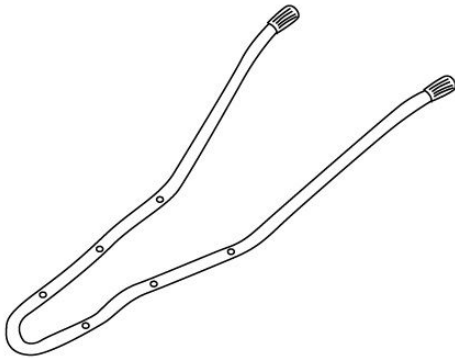
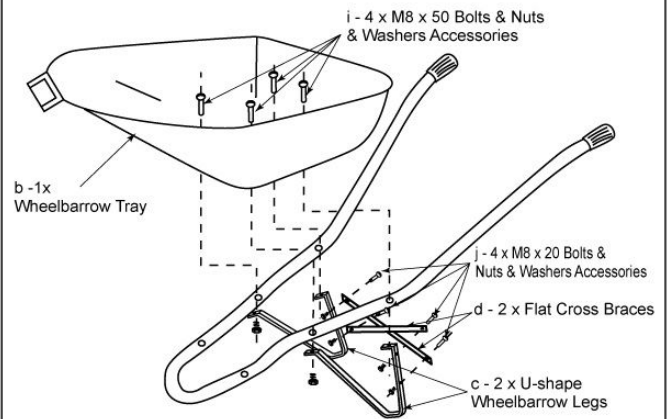




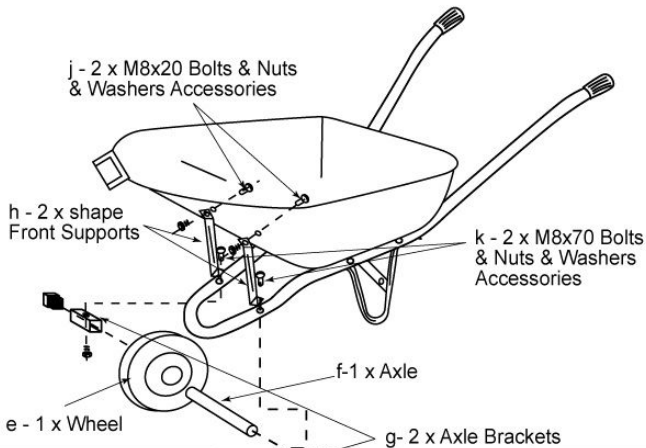
- 1** Prepare 1 x Wheelbarrow Handle (a) for assembling.



- 2** Place the Wheelbarrow Tray (b) onto handle assembly so that holes are aligned. Place 2 x U-shape Wheelbarrow Legs (c) on underside of frame as shown ensuring all holes are aligned. Insert 4 x M8*50 Bolts (i) with flat washers through holes and attach spring washers & nuts, then tighten. Attach 2 x Flat Cross Braces (d) using 4 x M8*20 Bolts & Nuts & Washers Accessories (j) as shown.



- 3** Attach 2 x L-shape Front Supports (h) to wheelbarrow tray as shown using 2 x M8*20 Bolts & Nuts & Washers Accessories (j). Align holes in the end of L-shape Front Support (h) to the holes of wheelbarrow handle frame. Insert 2 x M8*20 Bolts & Nuts & Washers Accessories (j) through holes in top side only and attach 1 x Axle Bracket (g) secured by 1 x M8*50 Bolts & Nuts & Washers Accessories (i). Place 1 x Wheel (e) onto 1 x Axle (f) and place one end of Axle into secured 1 x Axle Bracket (g). Place second 1 x Axle Bracket (g) onto 1 x Axle (f), securing through the holes of the front fork of 1 x Wheelbarrow Handle (a) and the end of 2 x L-shape Front Supports (h) using 1 x M8*50 Bolts & Nuts & Washers Accessories (i).



- 4** Using screwdriver and spanner to tighten all nuts and bolts securely.



WARNING - DO NOT OVER INFLATE TYRE - OR USE AN AIR COMPRESSOR TO INFLATE TYRE (RECOMMENDED PSI IS 30 PSI.)

HEAVY DUTY WHEELBARROW WITH POURER

Please ensure you have the all of your required parts prepared before assembling:

- a. 1 x Wheelbarrow Handle
- b. 1 x Wheelbarrow Tray
- c. 2 x U-shape Wheelbarrow Legs
- d. 2 x Flat Cross Braces
- e. 1 x Wheel
- f. 1 x Axle
- g. 2 x Axle Brackets
- h. 2 x L-shape Front Supports
- i. 4 x M8*50 Bolts & Nuts & Washers Accessories
- j. 6 x M8*20 Bolts & Nuts & Washers Accessories
- k. 2 x M8*70 Bolts & Nuts & Washers Accessories

To complete this assembly of this unit, you will need 1 screwdriver and 1 spanner.

NB: TO ASSIST WITH ASSEMBLY, DO NOT TIGHTEN THE BOLTS AND NUTS UNTIL THE VERY END.

**WARNING - DO NOT OVER INFLATE TYRE - OR USE AN AIR COMPRESSOR
TO INFLATE TYRE (RECOMMENDED PSI IS 30 PSI.)**