



# HOMESTEAD LOWBOY INSTRUCTION MANUAL

Maximum weight on top: 30kgs

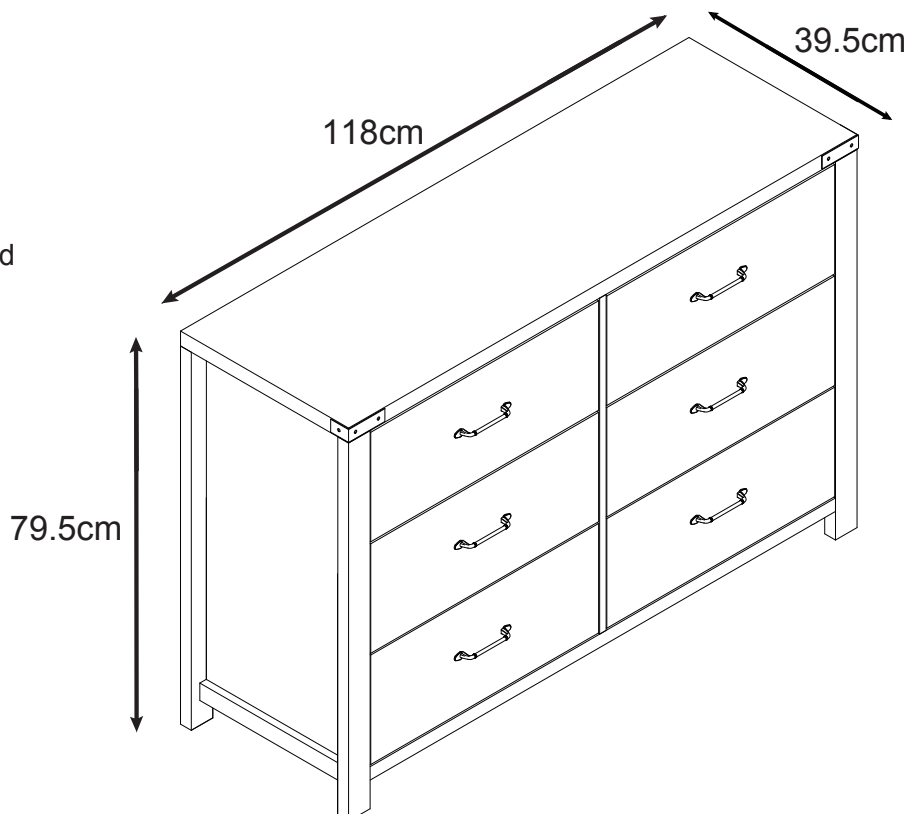
Maximum weight per drawer : 5kgs



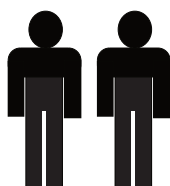
This icon in assembly instructions indicates important notes that users should follow during assembly.



To reduce paper waste and protect the environment, less pages are used and printed on recycled paper.



2-PERSON ASSEMBLY



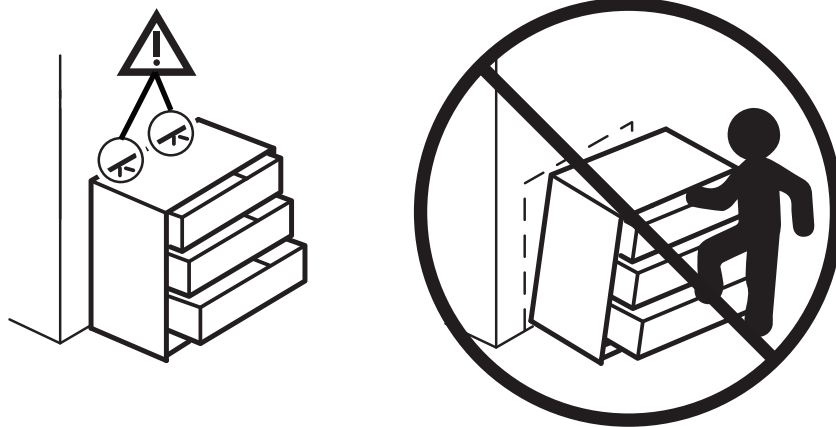
Do not over tighten fixings.  
Tighten all fixings until they are captive.

### Warranty

We pride ourselves on producing a range of quality products that are both packed with features and completely reliable. We are so confident in our products, we back them up with a one year warranty. Now you too can relax knowing that you are covered.

Customer Helpline NZ: 0800 422 274  
This product is covered by one year warranty when accompanied by proof of purchase.

## Important Safety Instructions



Serious or fatal crushing injuries can occur from furniture tip-over. Use of tip-over restraints may only reduce but not eliminate the risk of tip-over. To help prevent tip-over:

- Place heaviest items in the bottom drawers.
- Unless specifically designed to accommodate, do not set TVs or other heavy objects on top of this product.
- Never allow children to climb or hang on drawers, doors or shelves.
- Never open more than one drawer at a time.

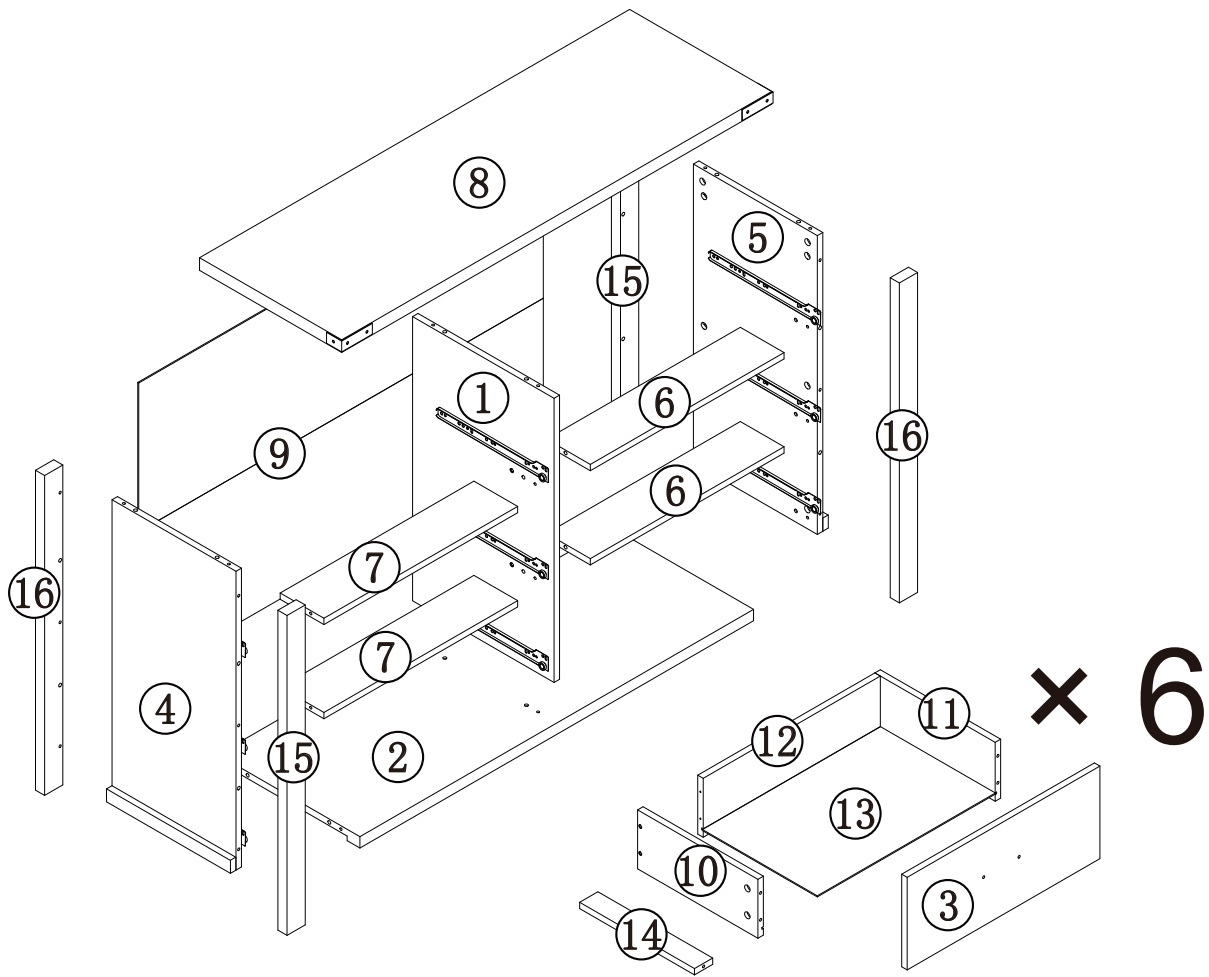
## Tips before you start



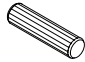

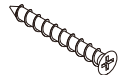


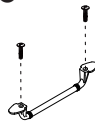


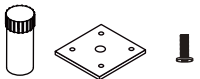
- 1 For the protection of your furniture, we recommend that the product is placed on a protected surface during assembly to prevent any damage.
- 2 Please check that all parts are present before you start the assembly of your furniture.
- 3 For ease and speed of assembly, we recommend that you identify all the parts required for each step before commencing assembly.
- 4 For larger items, please ensure that you have sufficient space and people (as indicated on page 1) to assemble your product safely.
- 5 We recommend that, where possible, all items are assembled near to the area in which they will be placed in use, to avoid moving the product unnecessarily.
- 6 During assembly please take care not to over-tighten hardware, as this may damage the product. Do not use power tools.
- 7 Always place the product on a steady and stable surface.
- 8 Do not stand on the product. Do not use the product as a stepladder.
- 9 This product is intended for indoor, household use only as it is a non-industrial product.
- 10 Please use caution and care when lifting the product to avoid personal injury and/or product damage.

## Care and maintenance

- ☞ Please periodically check all things and re-tighten as necessary.
- ☞ To clean your item, please use a damp cloth and wipe clean.
- ☞ Never allow any kind of liquid to remain on your furniture.
- ☞ Absorption can cause wood to warp or finishes to delaminate.
- ☞ Please do not place hot items (e.g., hot drinks) directly onto the surface.
- ☞ Please do not drag and pull your furniture.

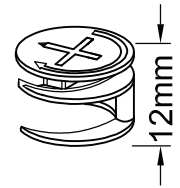
# Part Name



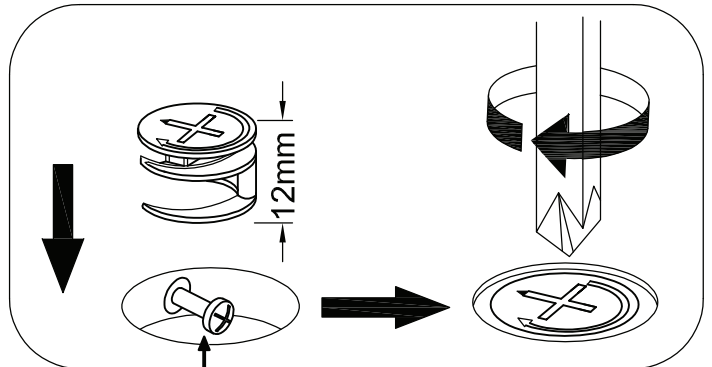
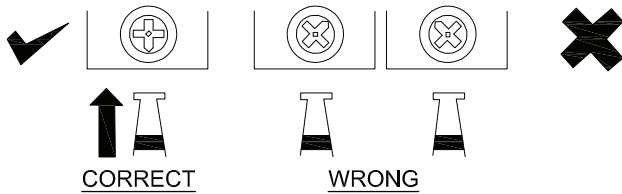
<b>AX58</b>  58PCS	<b>BX58</b>  58PCS	<b>CX24</b>  24PCS	<b>DX4</b>  4PCS	<b>EX34</b>  34PCS
<b>FX4</b>  4PCS	<b>GX18</b>  18PCS	<b>HX6</b>  6PCS	<b>IX2</b>  2PCS	<b>JX2</b>  2PCS
<b>KX1</b>  1PCS				

## SPECIAL TIPS FOR FITTING CAM-LOCKS AND QUICKFIT

### CAM-LOCK

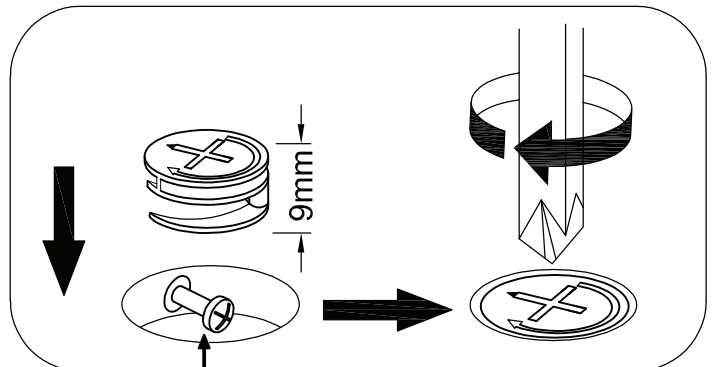
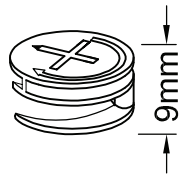


WHEN FITTING CAMLOCK  
ENSURE STARTING POSITION IS CORRECT  
BEFORE YOU INSERT CONNECTING QUICKFIT  
TURN CLOCKWISE UNTIL SECURE



Quickfit head needs to be in centre

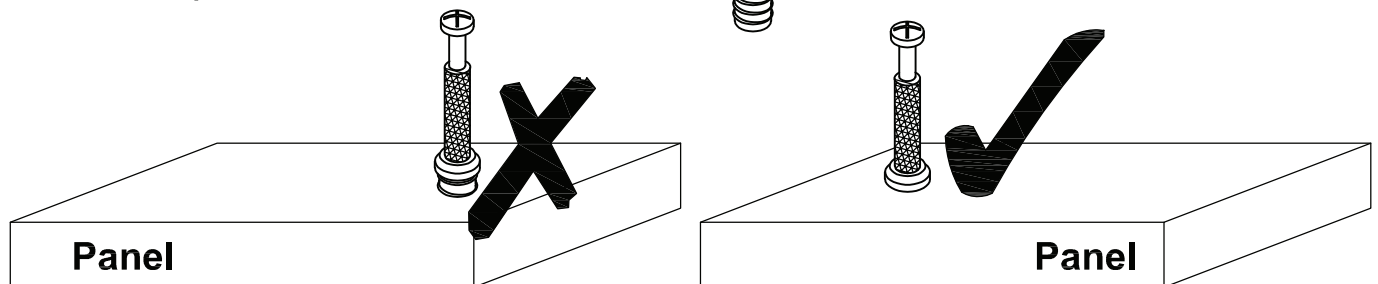
### DRAWER CAM-LOCK



Quickfit head needs to be in centre

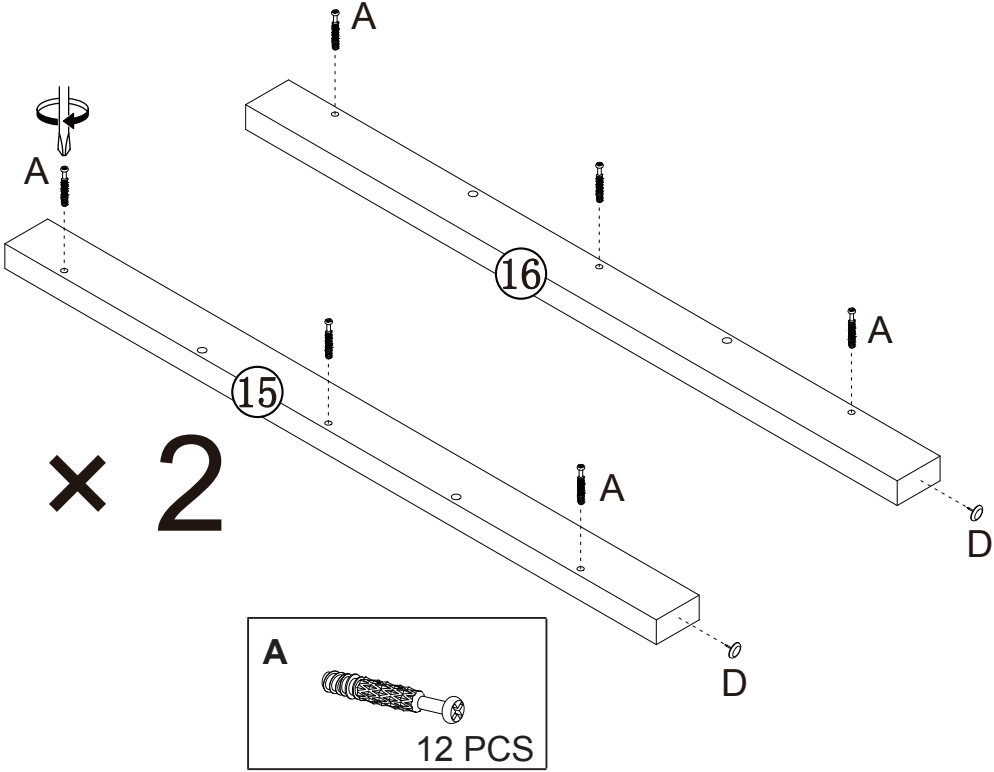
### CAM BOLT

Tighten until shoulder is flush with panel. Do not overtighten or undertighten (see example below)

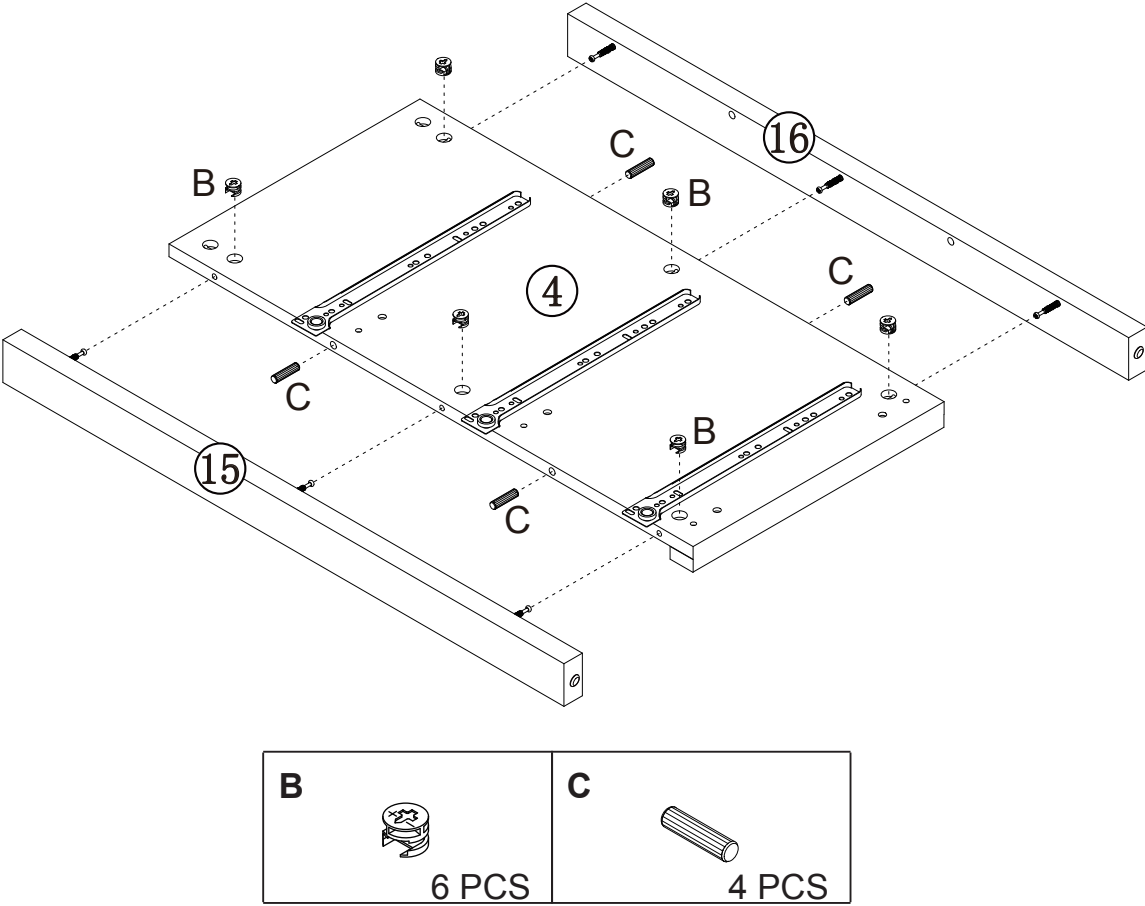


# Assembly

1.

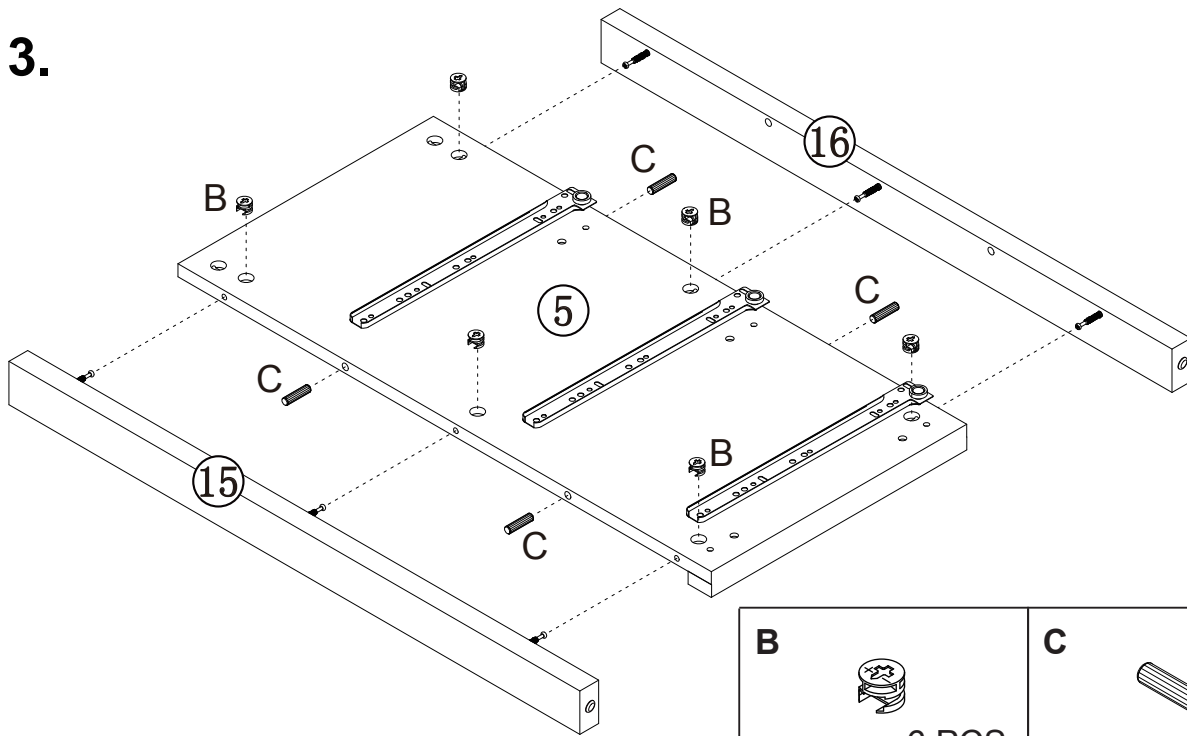



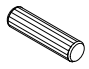
2.



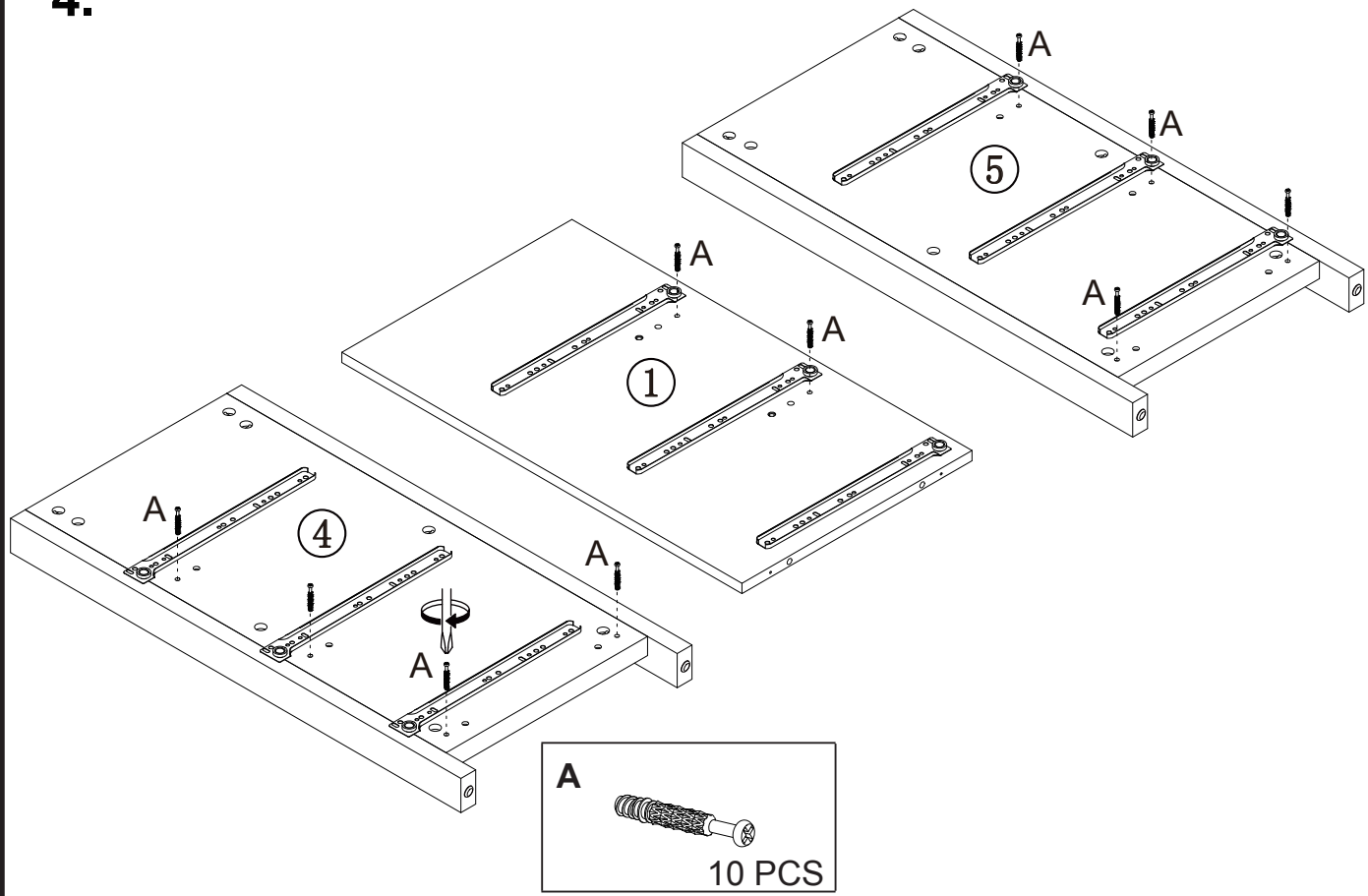
# Assembly

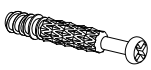
3.



<b>B</b>  6 PCS	<b>C</b>  4 PCS
---	--

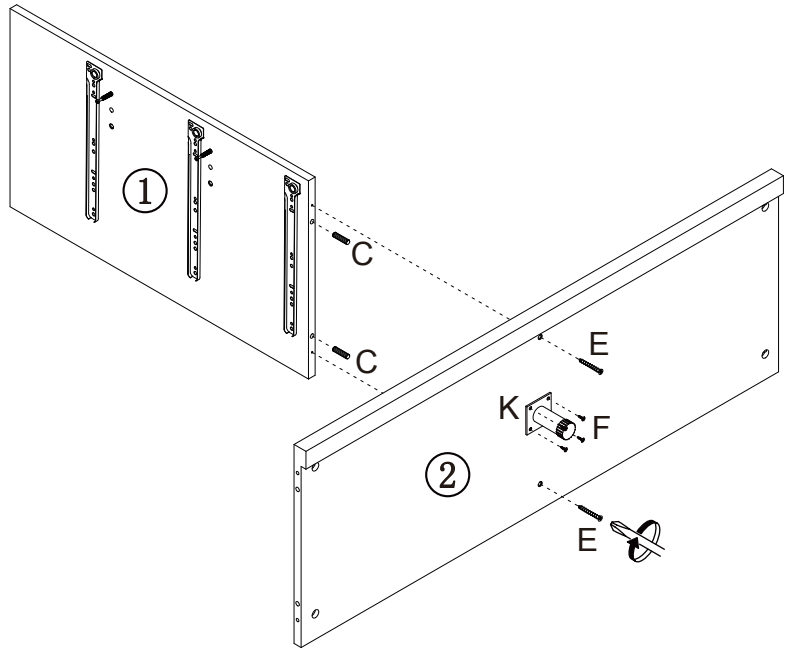
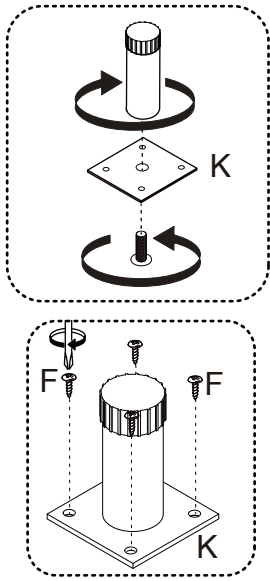
4.

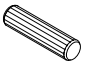

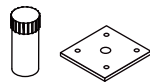



<b>A</b>  10 PCS
---

# Assembly

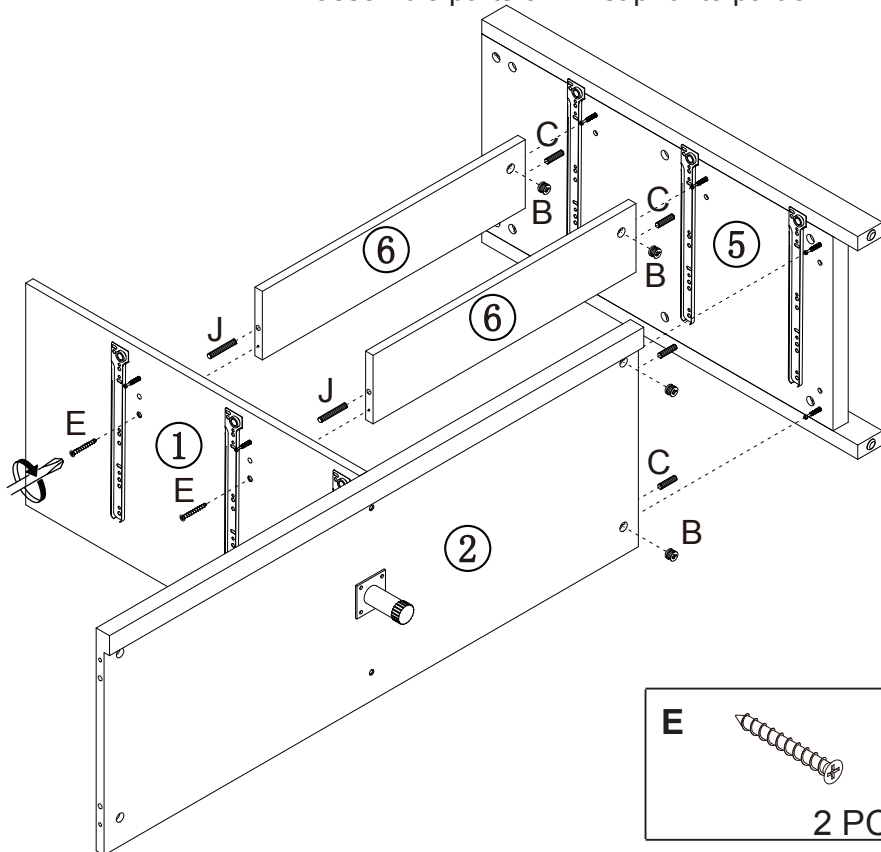
5.


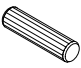

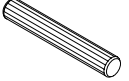


<p><b>C</b></p>  <p>2 PCS</p>	<p><b>E</b></p>  <p>2 PCS</p>	<p><b>K</b></p>  <p>1 PCS</p>	<p><b>F</b></p>  <p>4 PCS</p>
---	---	---	---

6.

assemble parts 6x2 first prior to part 5



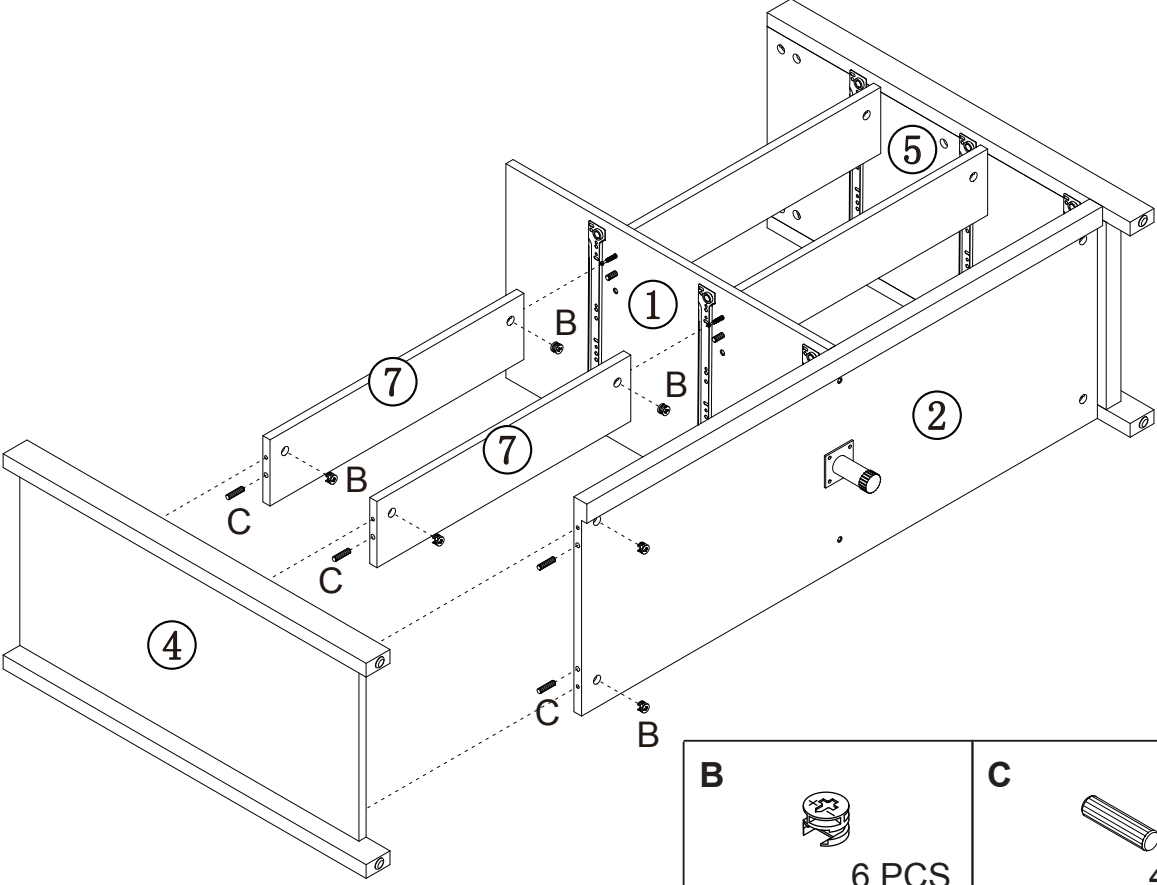
<p><b>B</b></p>  <p>4 PCS</p>	
<p><b>C</b></p>  <p>4 PCS</p>	
<p><b>E</b></p>  <p>2 PCS</p>	<p><b>J</b></p>  <p>2 PCS</p>

# Assembly

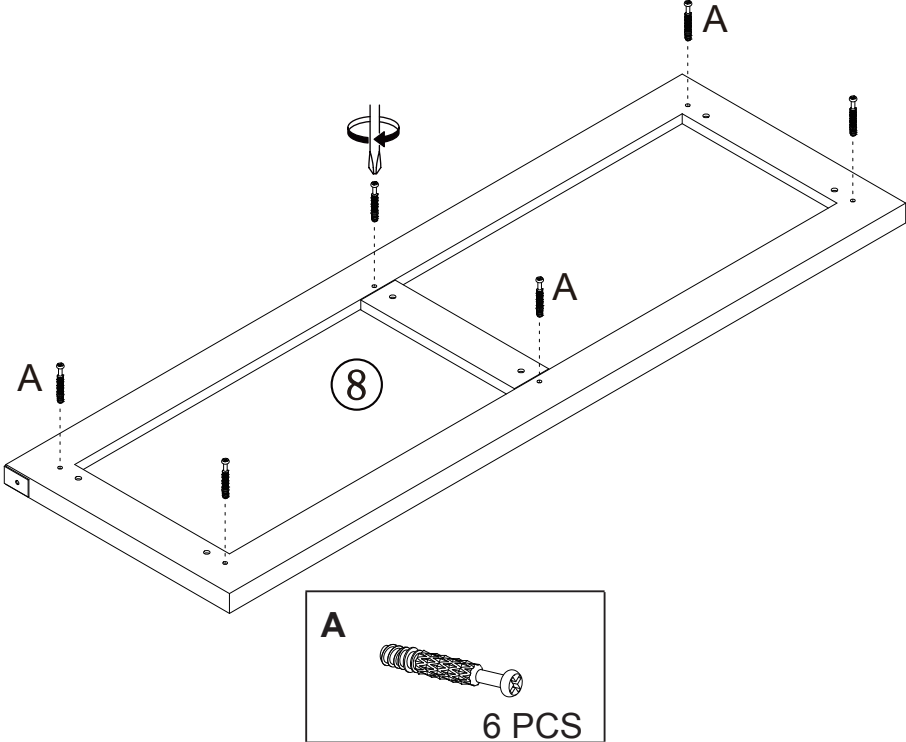
7.



assemble parts 7x2 first prior to part 4

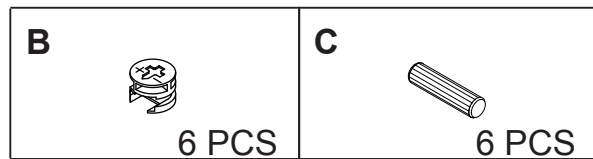
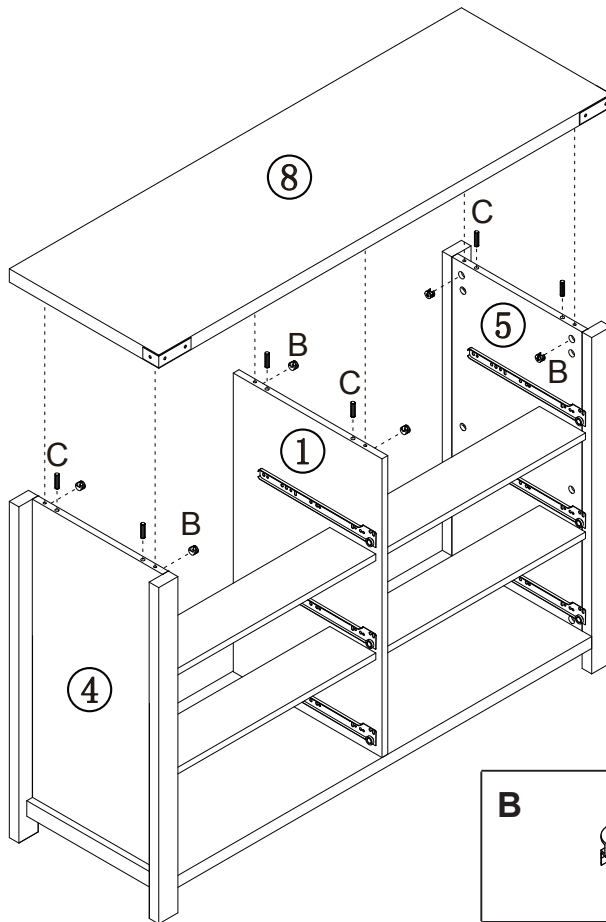


8.



# Assembly

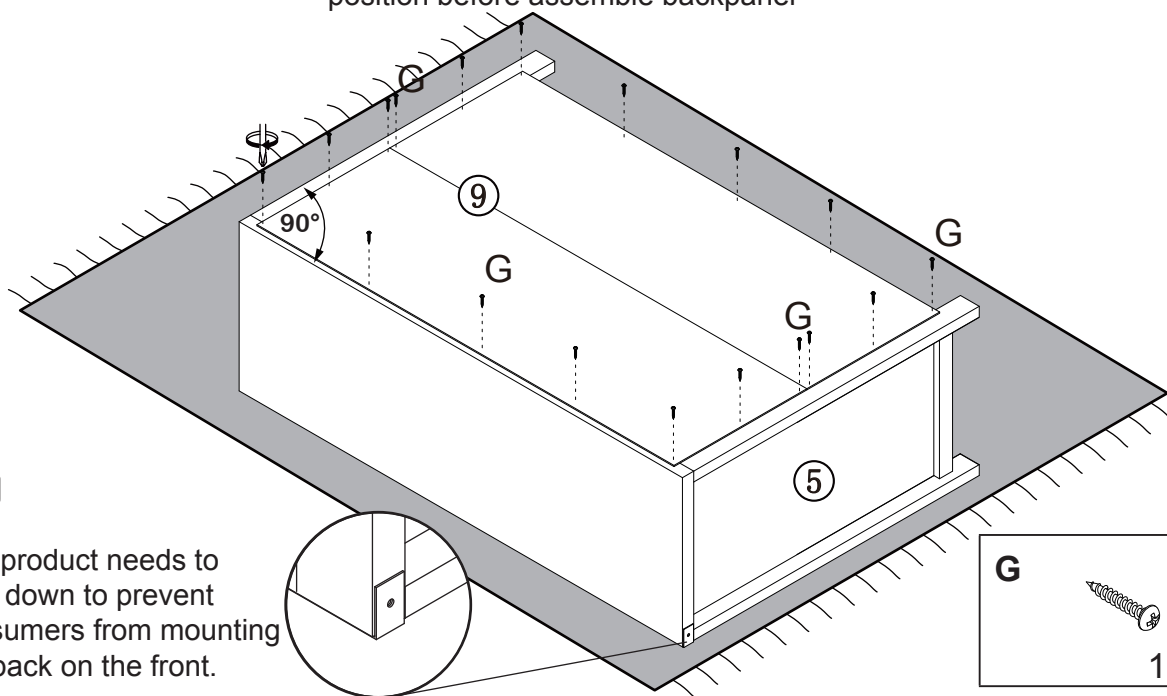
9.



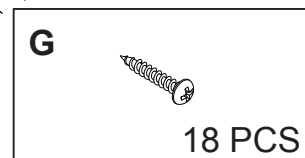
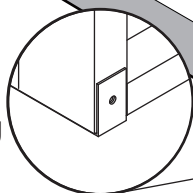
10.



Make sure the whole product is at 90° degree position before assemble backpanel

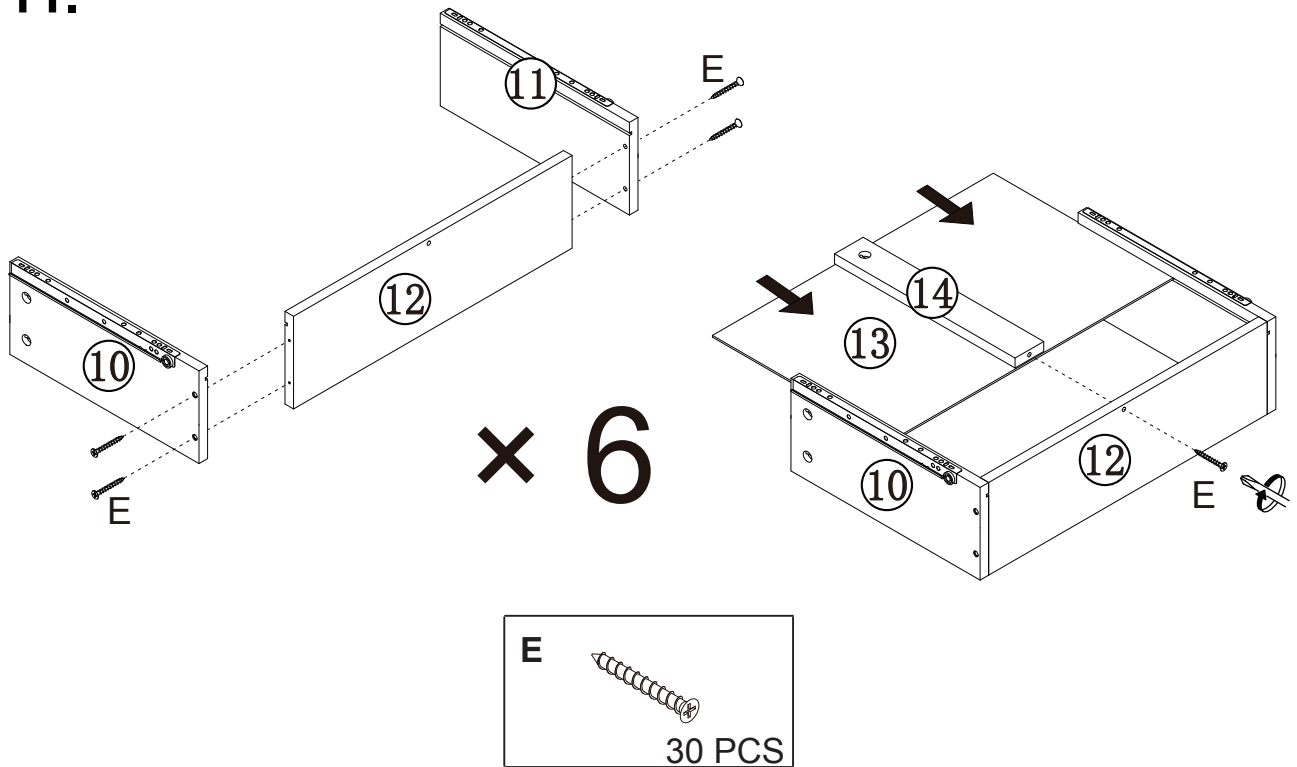


The product needs to face down to prevent consumers from mounting the back on the front.

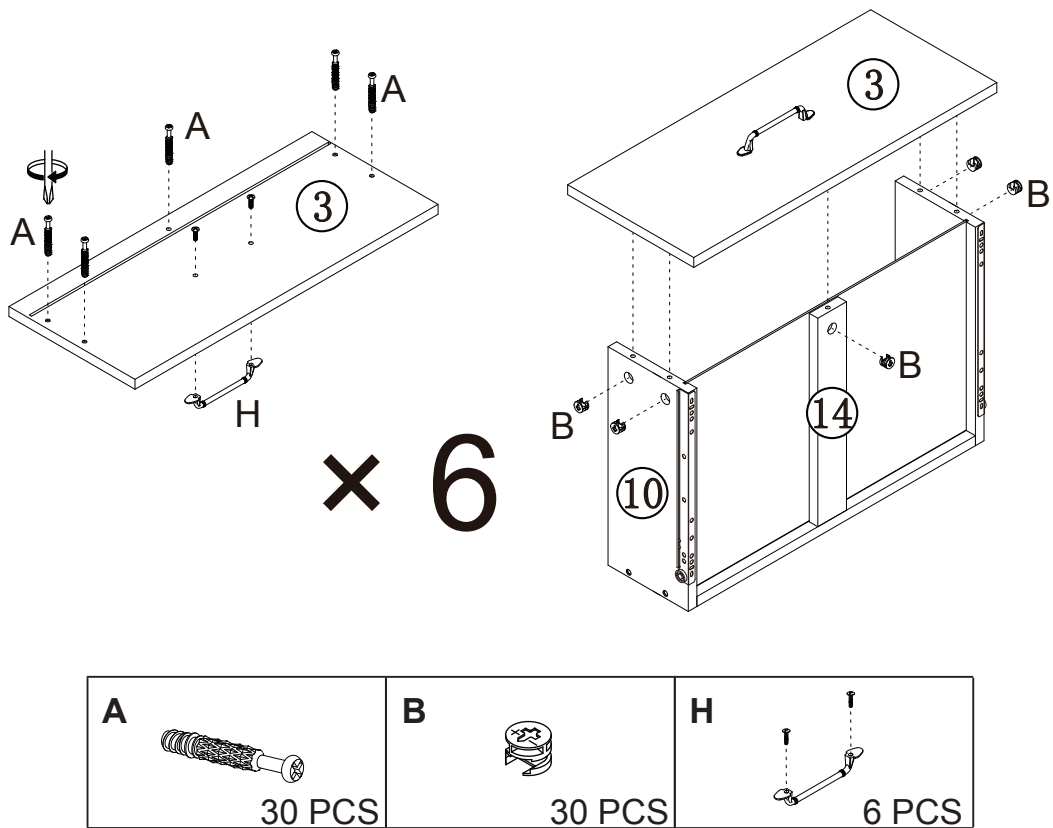


# Assembly

11.

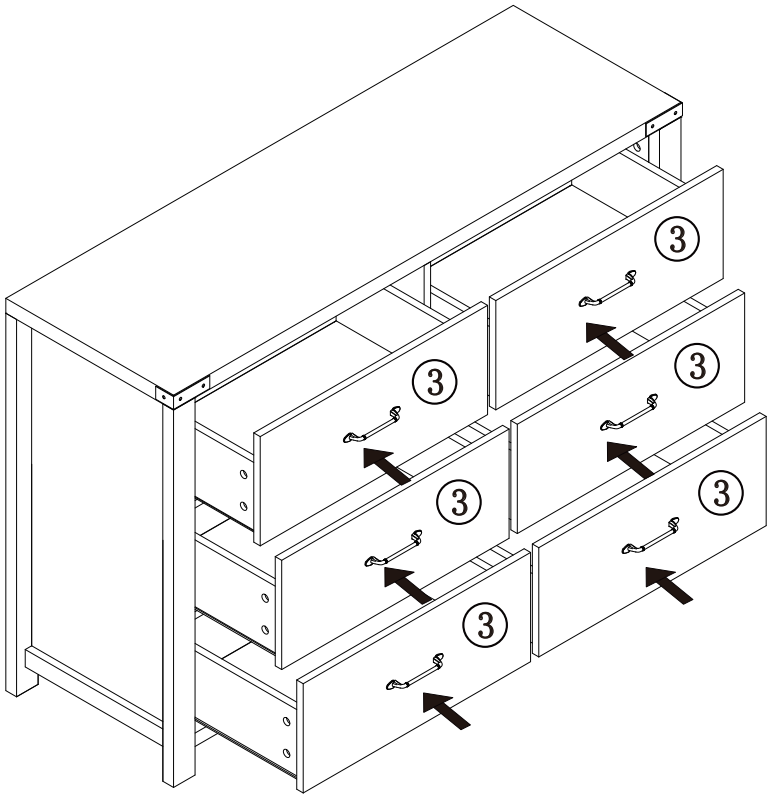


12.



# Assembly

13.



14.

