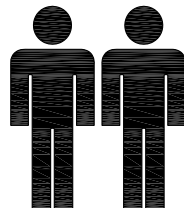


LIVING & CO PINE WOOD BUNK BED

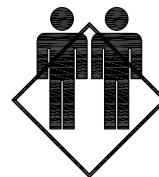
120 MIN

APPROXIMATE ASSEMBLY TIME

2 PERSON ASSEMBLY



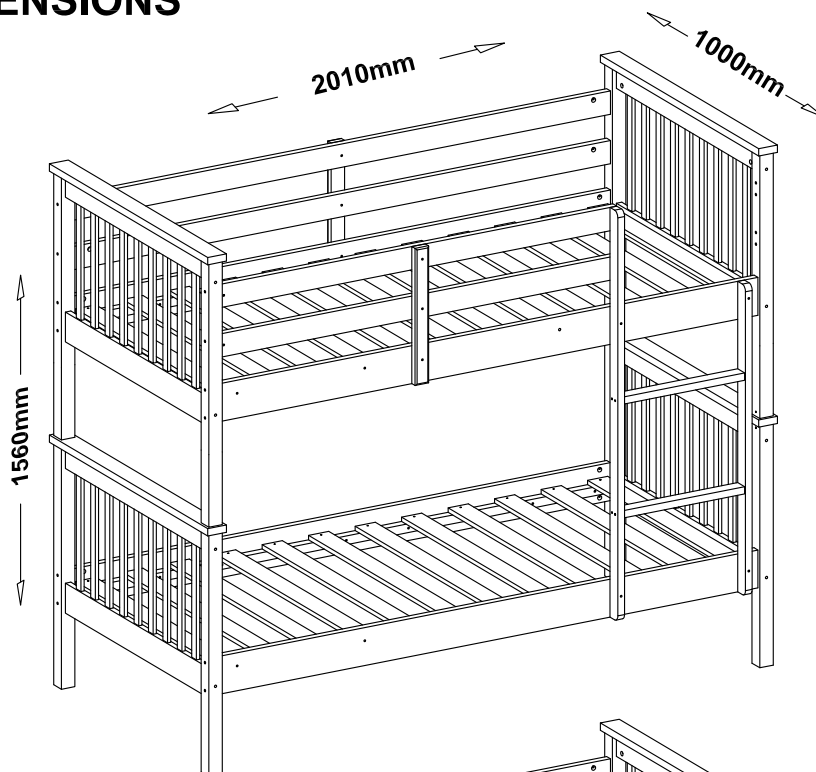
FLOOR AREA
3.0M x 3.0M



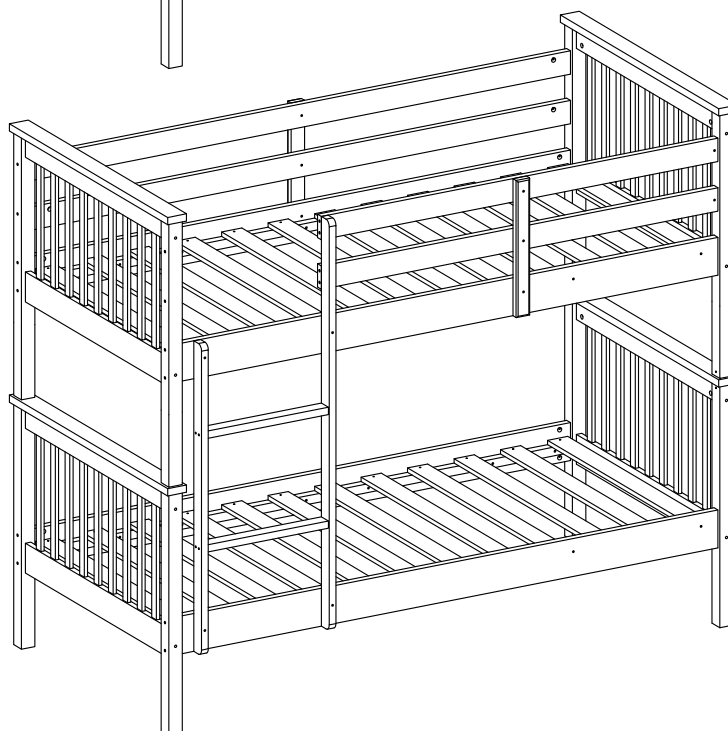
REQUIRED ASSEMBLY SPACE

ASSEMBLED DIMENSIONS

OPTION A:



OPTION B:



MAX WEIGHT: 100KG/SINGLE LAYER

LIVING & CO PINE WOOD BUNK BED

Tips before you start:

1. Please check that all parts are present before you start the assembly of your furniture.
2. For ease and speed of assembly, we recommend that before you commence each step of the assembly, that you identify all the parts required for that step.
3. For larger items, please ensure that you have sufficient space and people (as indicated on page 1) to assemble your product safely.
4. We recommend that, where possible, all items are assembled near to the area in which they will be placed in use, to avoid moving the product unnecessarily once assembled.
5. For the protection of your furniture, we recommend that the product is placed on a protected surface during assembly to prevent any damage.
6. During assembly please take care not to over-tighten any fittings, as this may damage the product.
7. Always place the product on a flat, steady and stable surface.
8. This product is intended for indoor, household use only as it is non industrial product.
9. Due to the painted finish of this product, when first opening the carton and assembling, the smell of paint may be noticeable. If there is any smell of paint it will dissipate over a short period of time. The paint is non-toxic and contains no lead. Please contact your nearest The Warehouse store if you have any concerns.

Care and Maintenance of your Furniture

- ☒ Please periodically check all fittings and re-tighten as necessary.
- ☒ To clean your item, please use a damp cloth and wipe clean.
- ☒ Never allow any kind of liquid to remain on your furniture. Absorption can cause wood to warp or finishes to de-laminate.
- ☒ Please do not place hot items (eg. Hot drinks) directly on to the surface.
- ☒ Please do not drag and pull your furniture.

LIVING & CO PINE WOOD BUNK BED

WARNING: TOP BUNKS AND ELEVATED BEDS ARE DANGEROUS AND ARE NOT RECOMMENDED FOR CHILDREN UNDER THE AGE OF 9.

Falls from elevated beds can be fatal and deaths have occurred where children have fallen from elevated beds. This is relevant for all ages. The risk is greater for younger children.

The risk of injury or death from a fall from an elevated bed compared to a non-elevated bed is:

10 x greater for 7-8 year olds

7 x greater for 9-10 year olds

3 x greater for 11-12 year olds

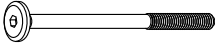


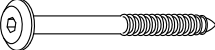
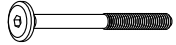

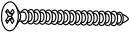
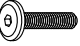
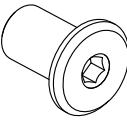
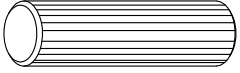

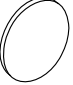
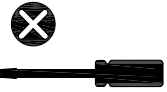

Children should be discouraged from playing on the bunk bed.

The bunk bed should be checked periodically to ensure that the guardrail, access device and other components are maintained in the correct position and state of repair and that all connectors are tight.



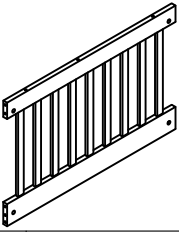
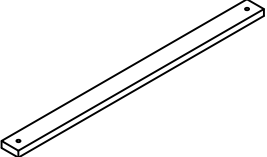
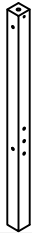

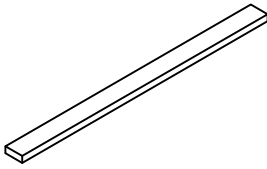
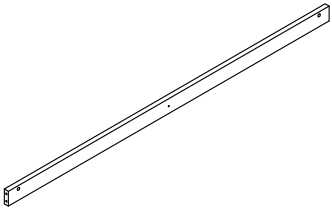
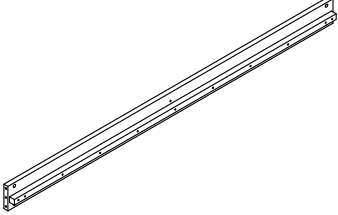
The upper bunk must be more than 2 m from any ceiling fan.

LIVING & CO PINE WOOD BUNK BED

HARDWARE LIST

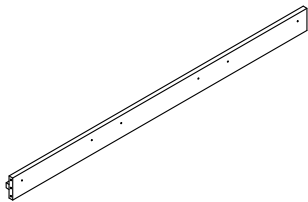
<p>A x38</p>  <p>M6 x90mm</p>	<p>B x38</p> 	<p>C x38</p>  <p>Ø8 x30mm</p>	<p>D x8</p>  <p>Ø6 x70mm</p>	<p>E x16</p>  <p>M6 x70mm</p>
<p>F x2</p> 	<p>G x64</p>  <p>Ø4 x30mm</p>	<p>H x6</p>  <p>M6 x25mm</p>	<p>I x10</p> 	<p>J x4</p>  <p>Ø12 x80mm</p>
<p>K x2</p>  <p>Ø7 x50mm</p>	<p>L x17</p> 	<p>Tools required</p>  <p>Phillips screwdriver</p>  <p>Hammer</p>		

PARTS LIST

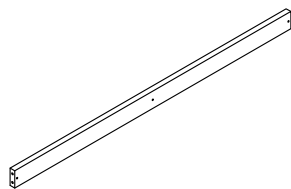
		
<p>01 1 PC</p>	<p>02 1 PC</p>	<p>03 4 PCS</p>
		
<p>04 2 PCS</p>	<p>05 1 PC</p>	<p>06 1 PC</p>
		
<p>07 2 PCS</p>	<p>08 2 PCS</p>	<p>09 1 PC</p>

LIVING & CO PINE WOOD BUNK BED

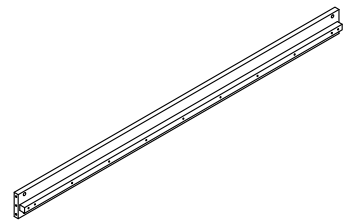
PARTS LIST



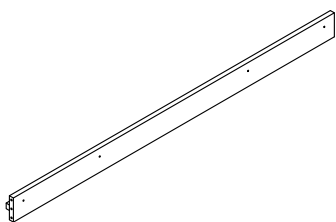
10 1 PC



11 2 PCS



12 1 PC



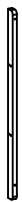
13 1 PC



14 2 PCS



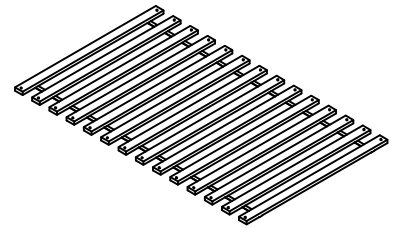
15 1 PC



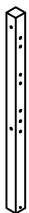
16 1 PC



17 2 PCS



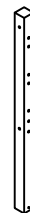
18 2 PCS



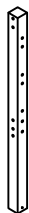
19 1 PC



20 1 PC



21 1 PC

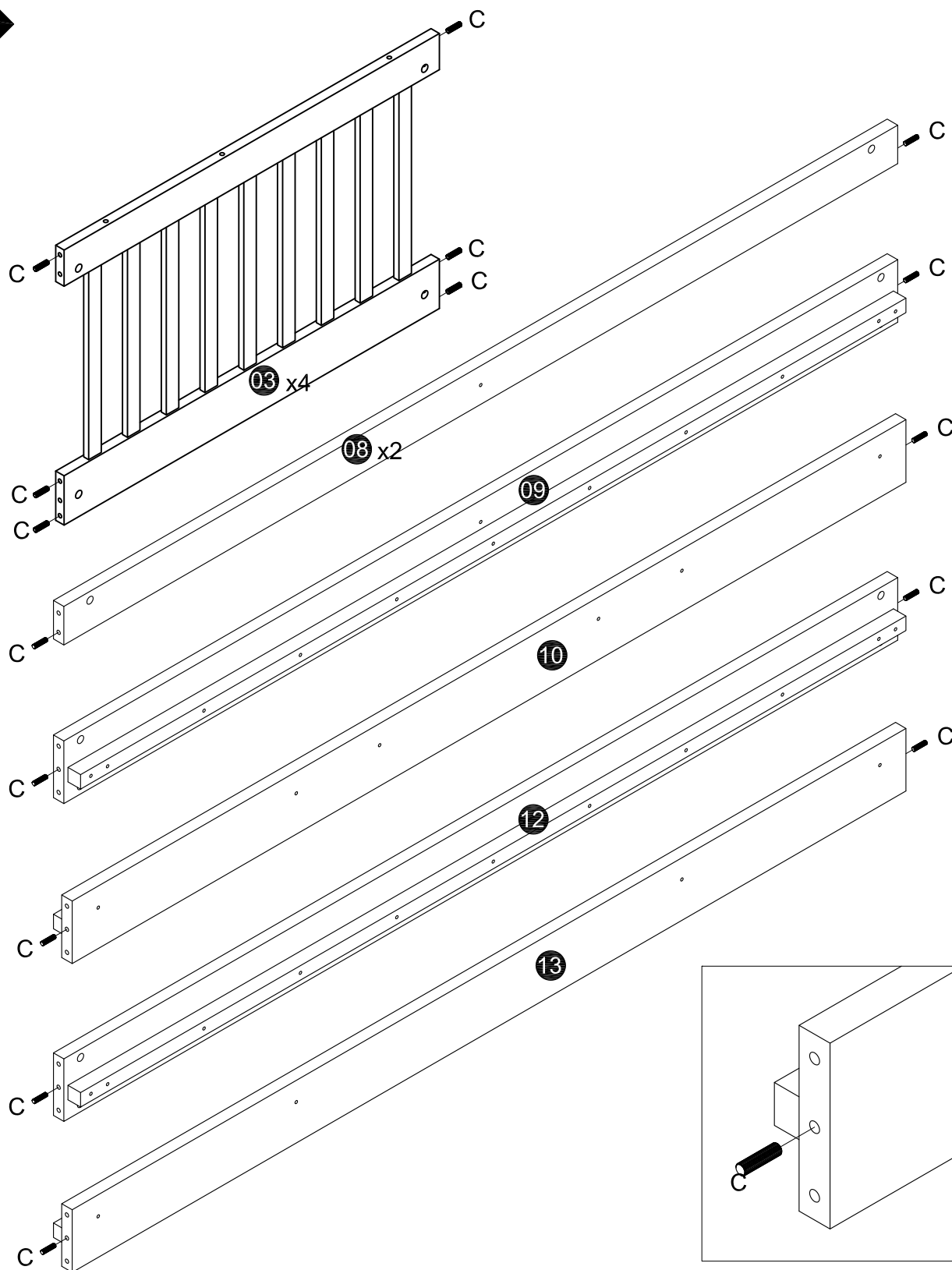


22 1 PC

LIVING & CO PINE WOOD BUNK BED

STEP 1

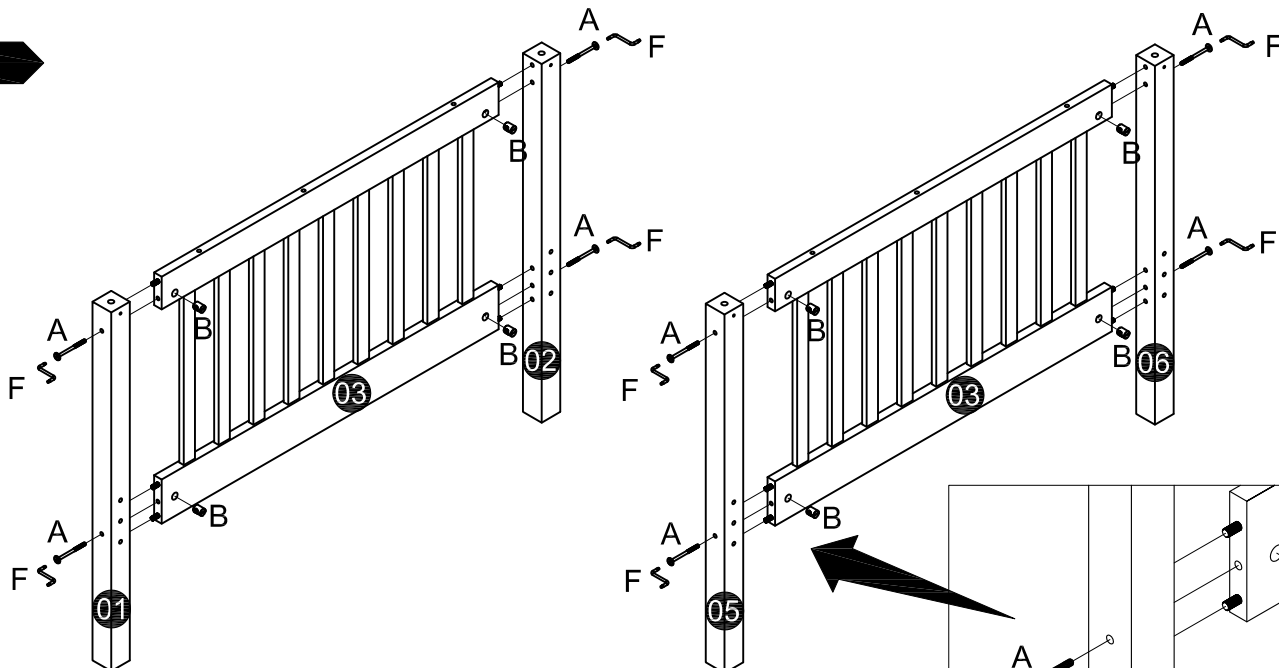
1



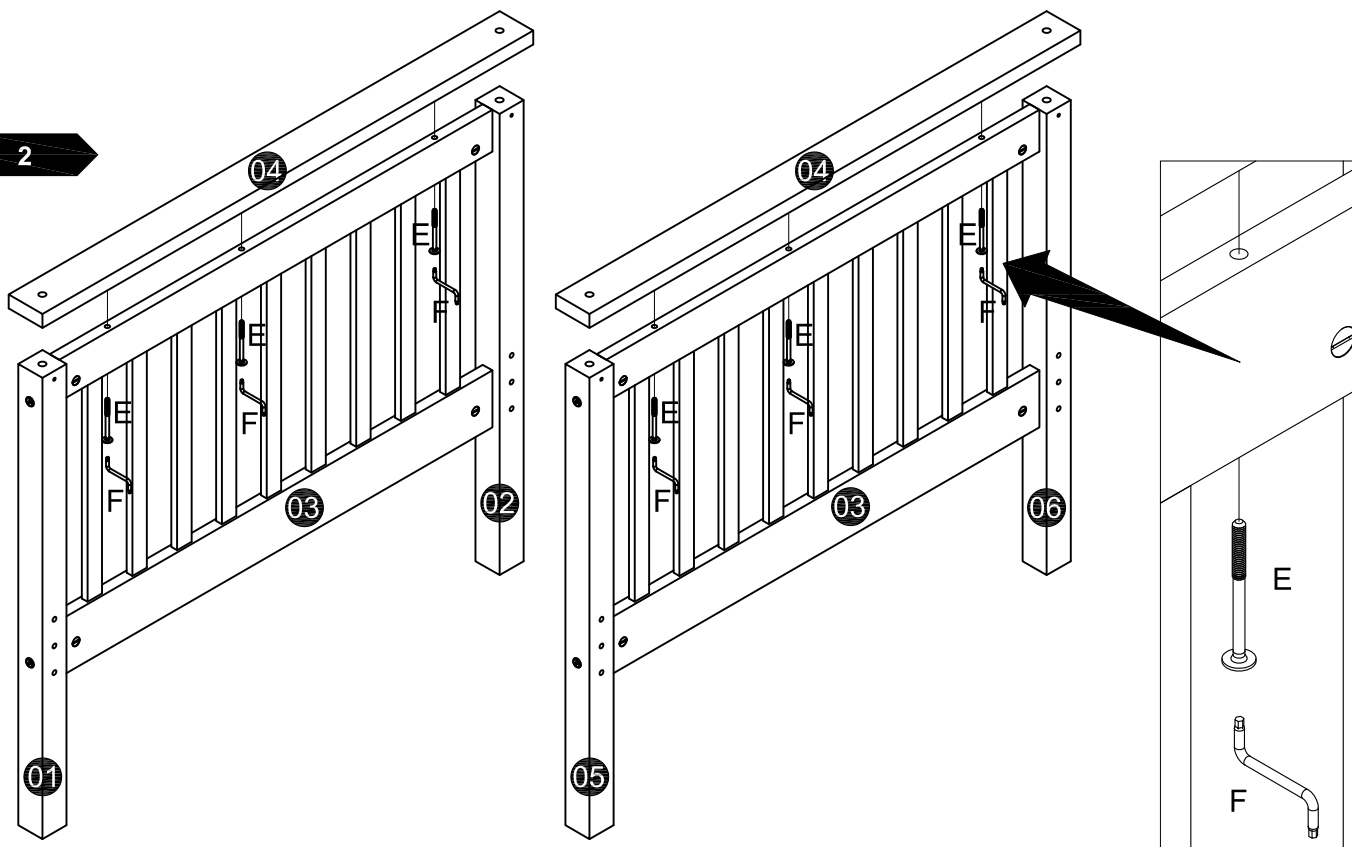
LIVING & CO PINE WOOD BUNK BED

STEP 2

1

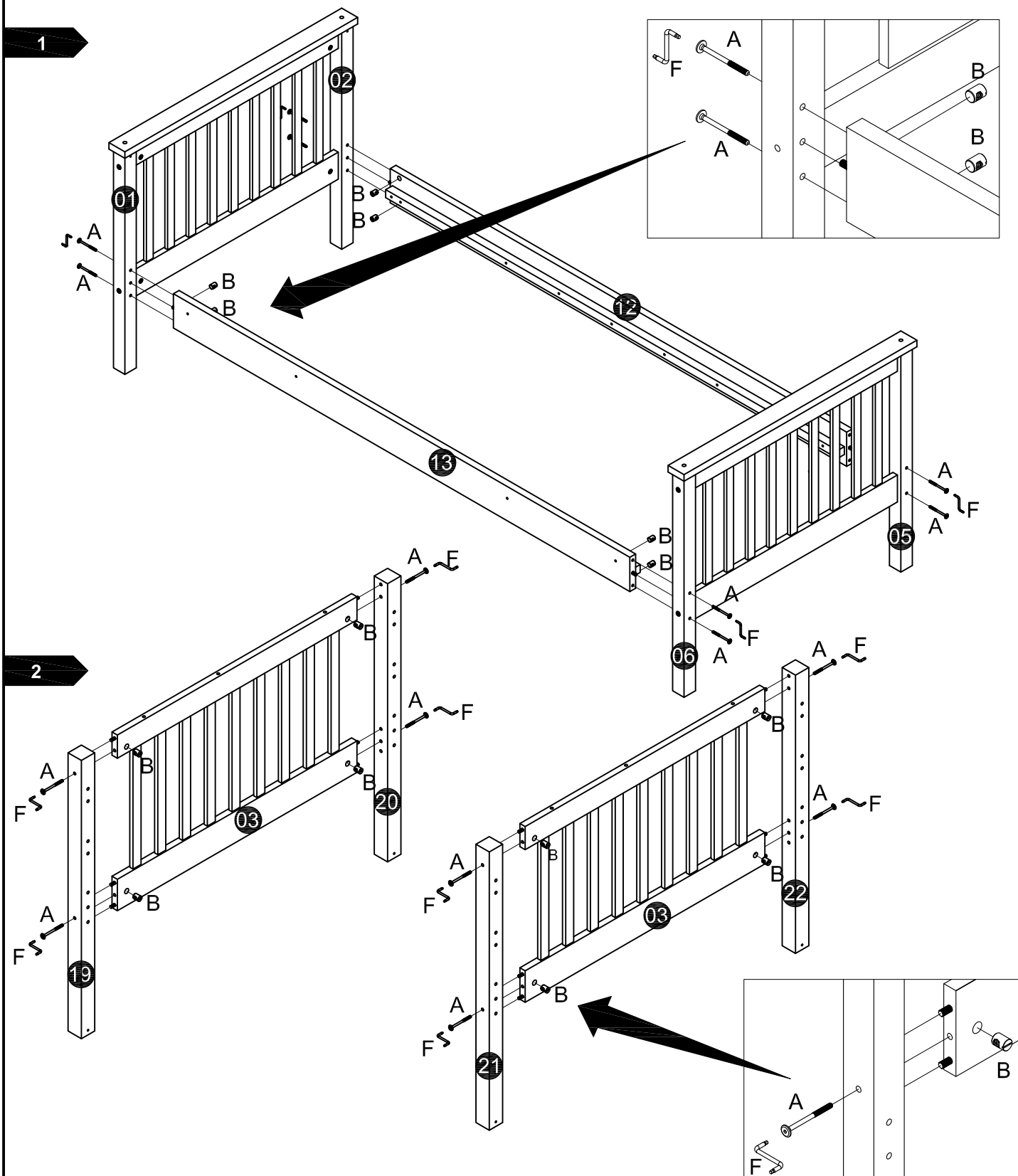


2



LIVING & CO PINE WOOD BUNK BED

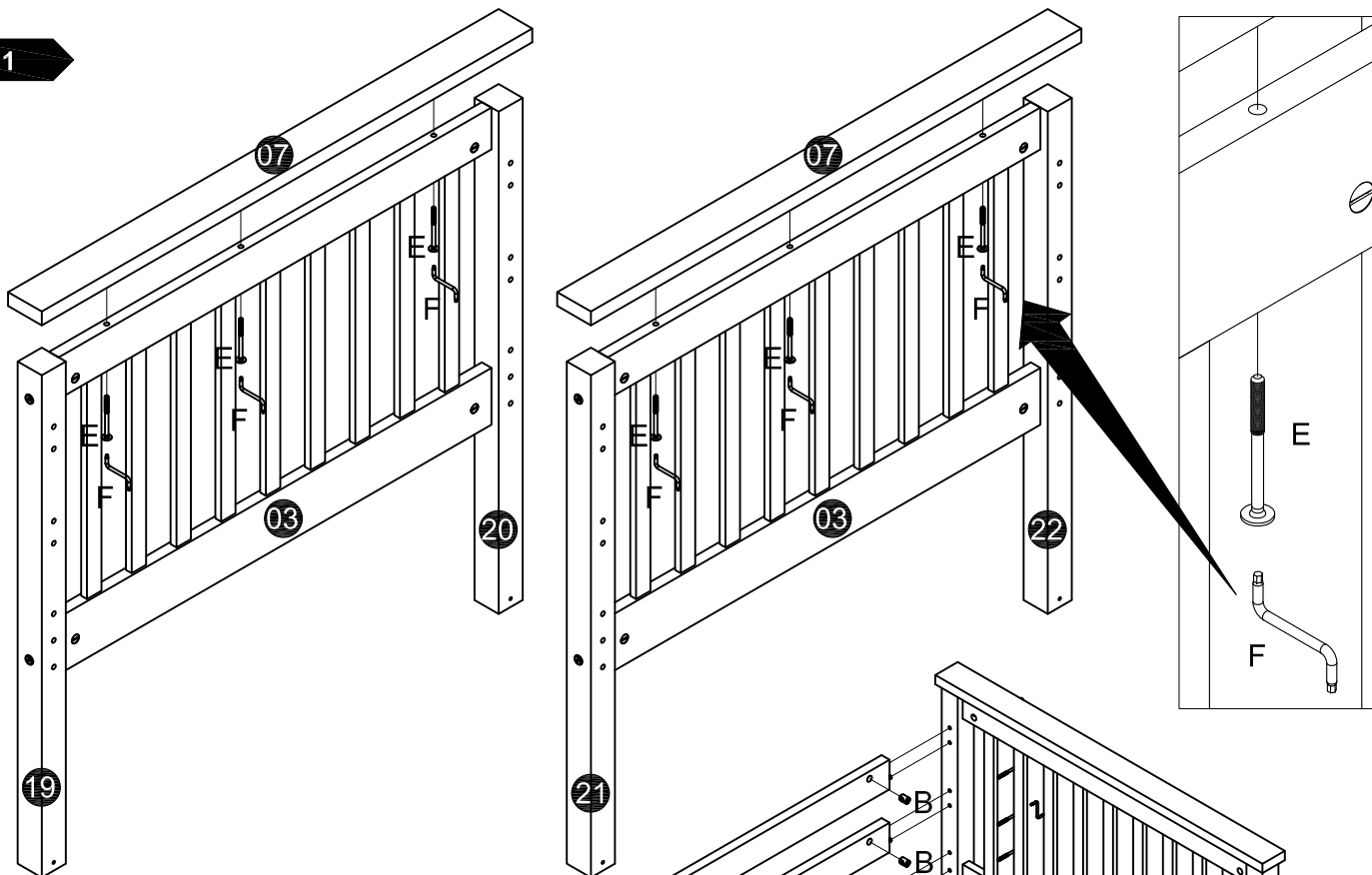
STEP 3



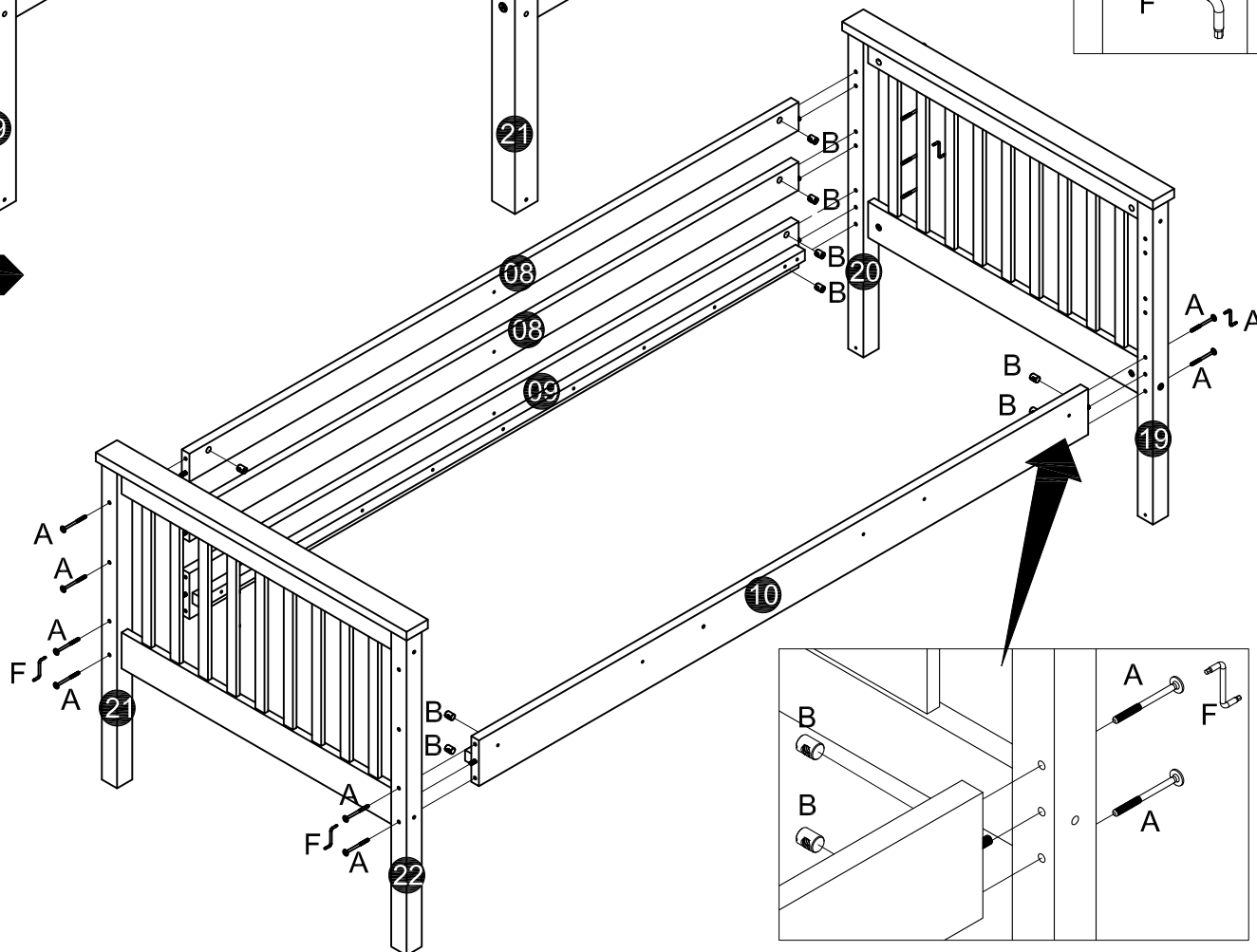
LIVING & CO PINE WOOD BUNK BED

STEP 4

1

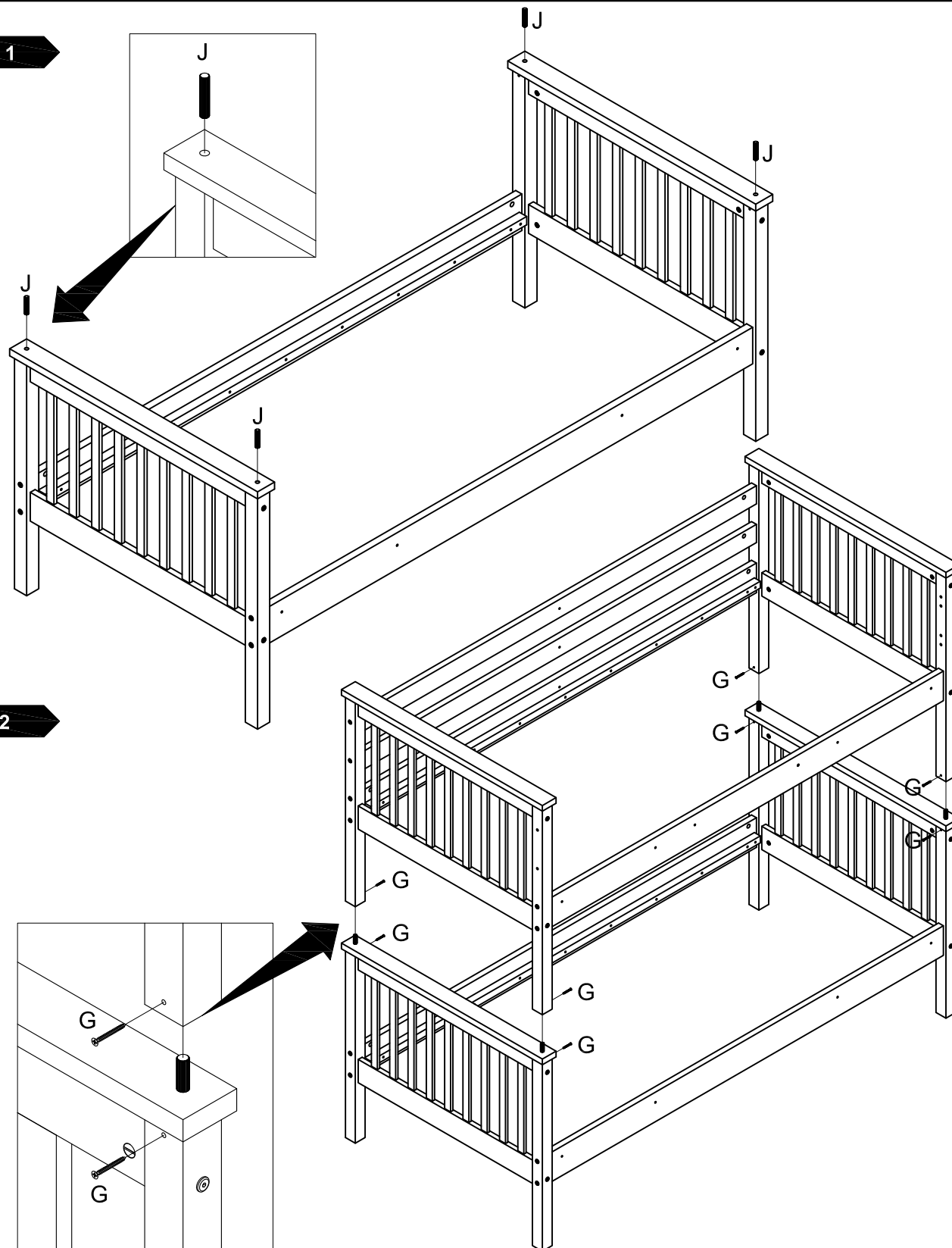


2



LIVING & CO PINE WOOD BUNK BED

STEP 5

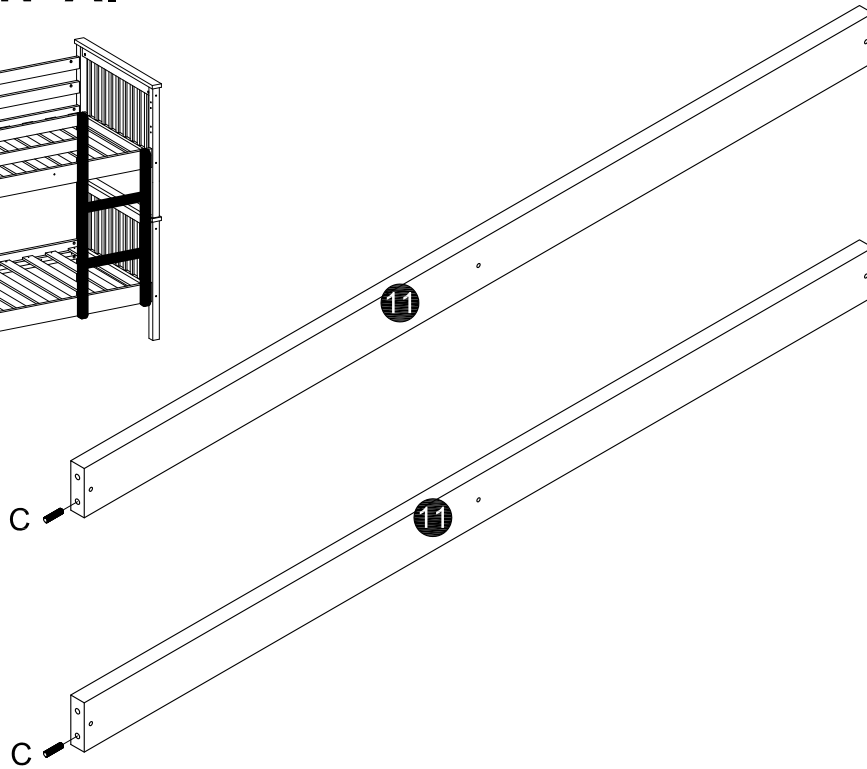
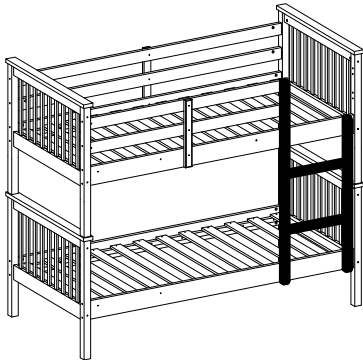


LIVING & CO PINE WOOD BUNK BED

STEP 6

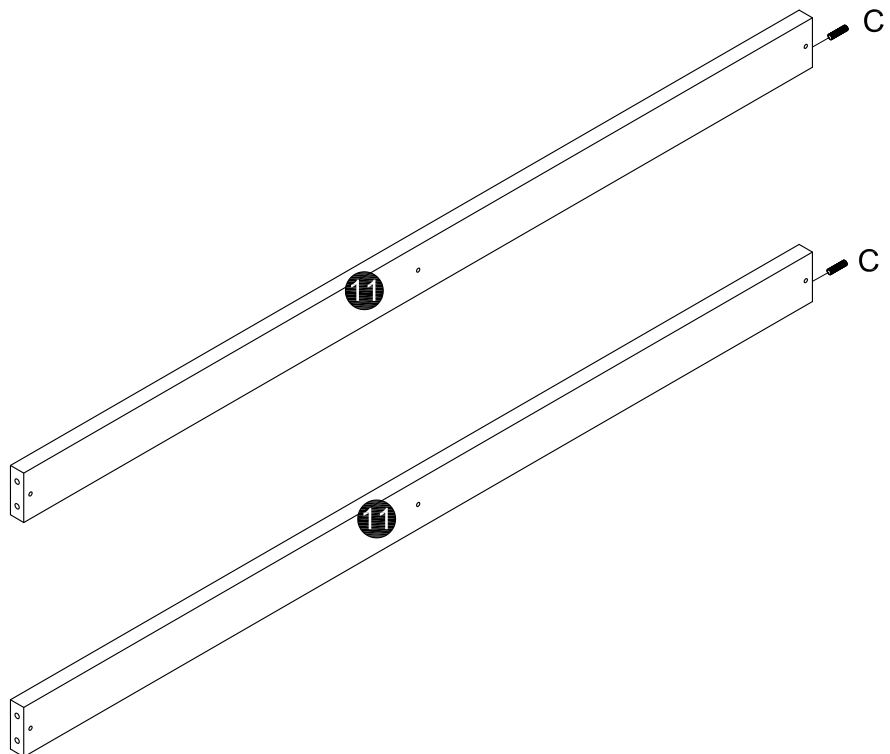
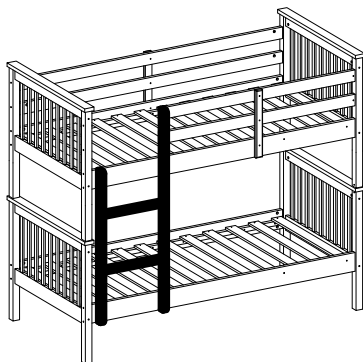
1

OPTION A:



2

OPTION B:

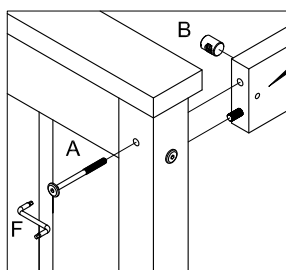
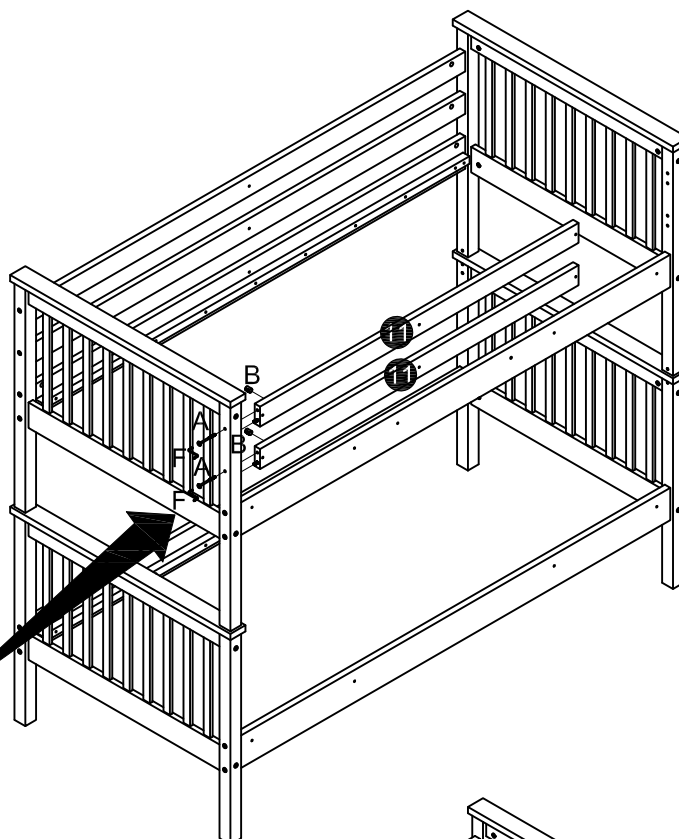
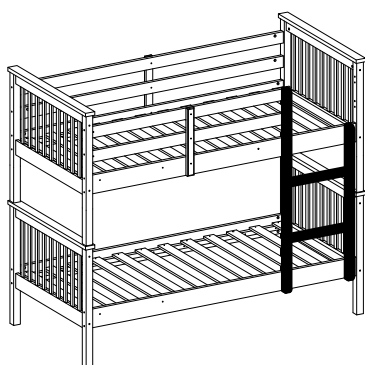


LIVING & CO PINE WOOD BUNK BED

STEP 7

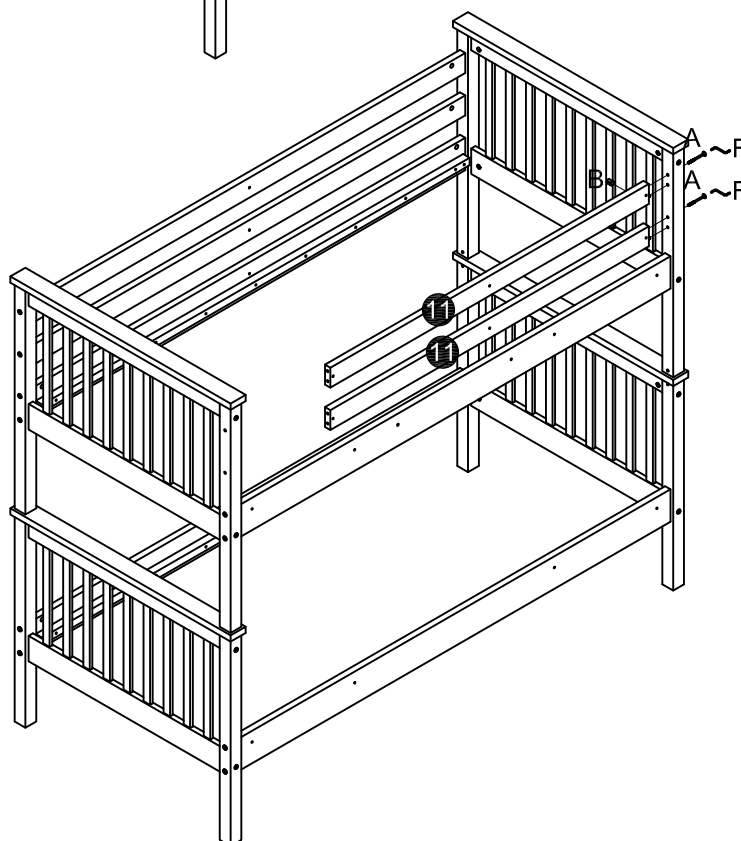
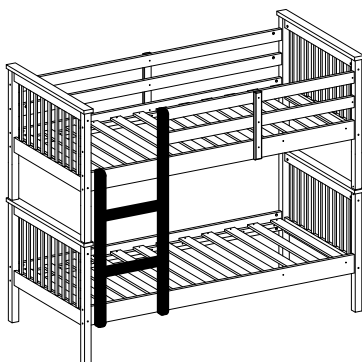
1

OPTION A:



2

OPTION B:

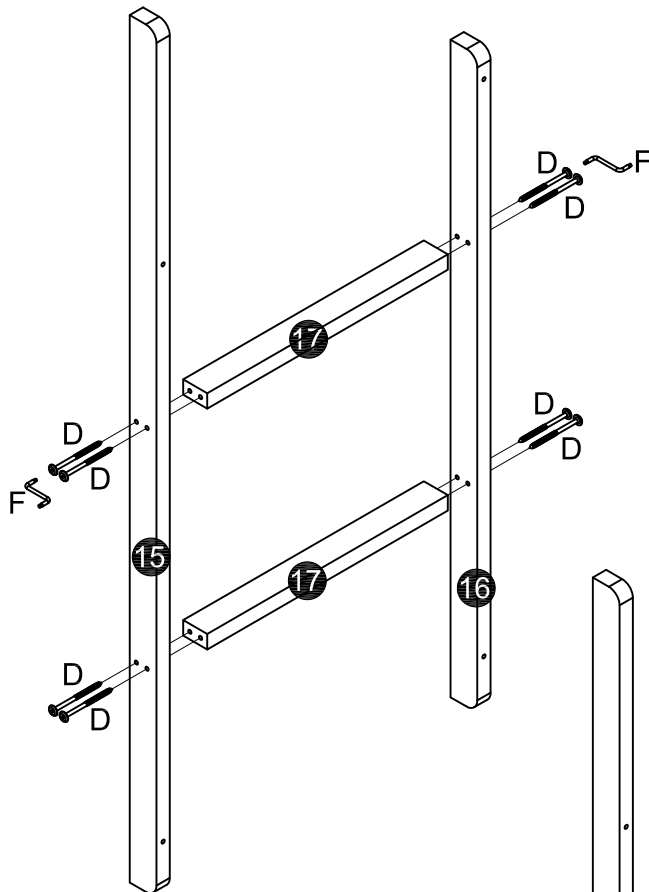
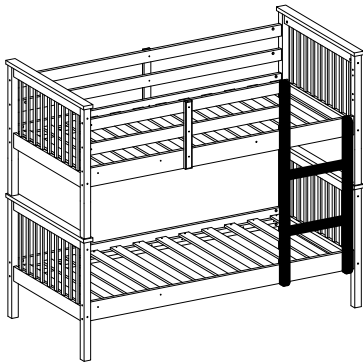


LIVING & CO PINE WOOD BUNK BED

STEP 8

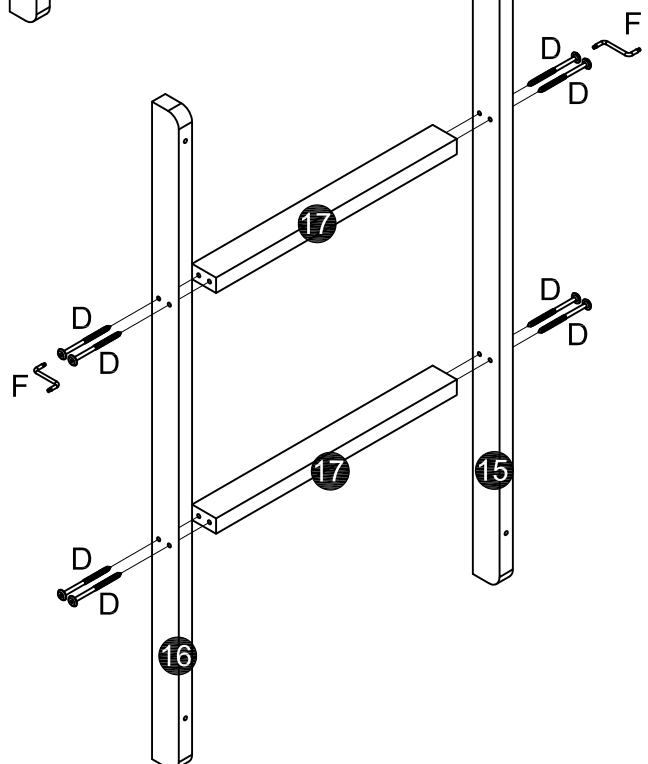
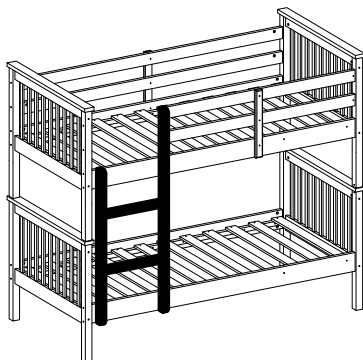
1

OPTION A:



2

OPTION B:

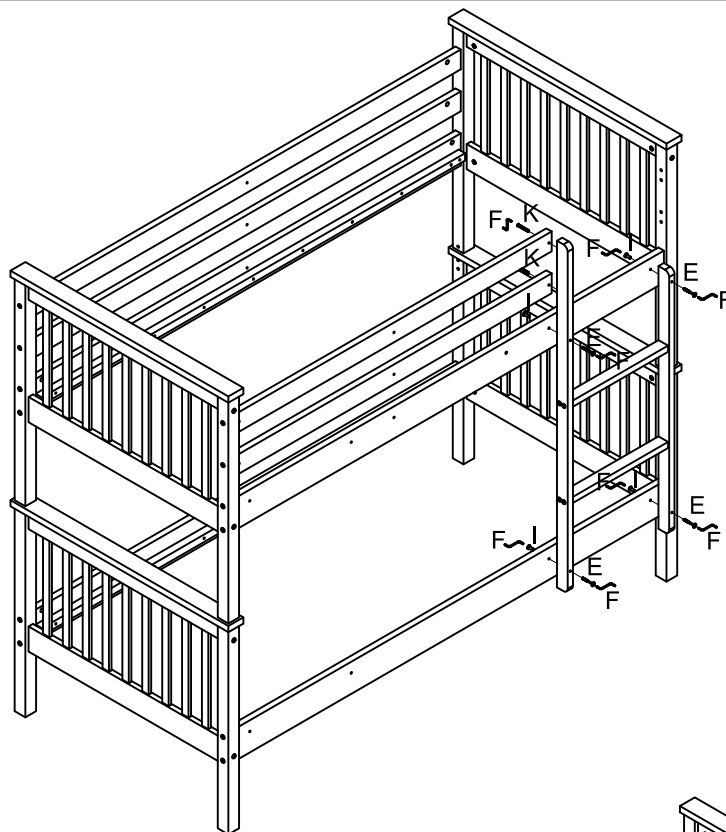
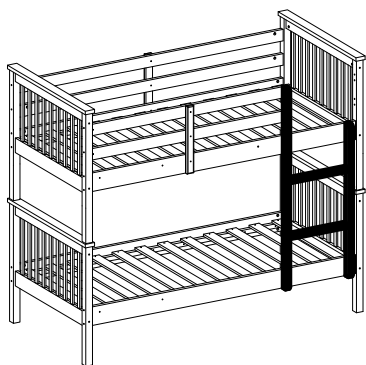


LIVING & CO PINE WOOD BUNK BED

STEP 9

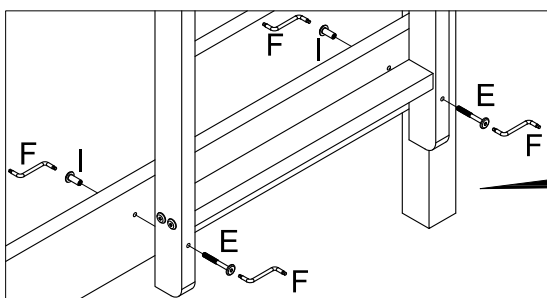
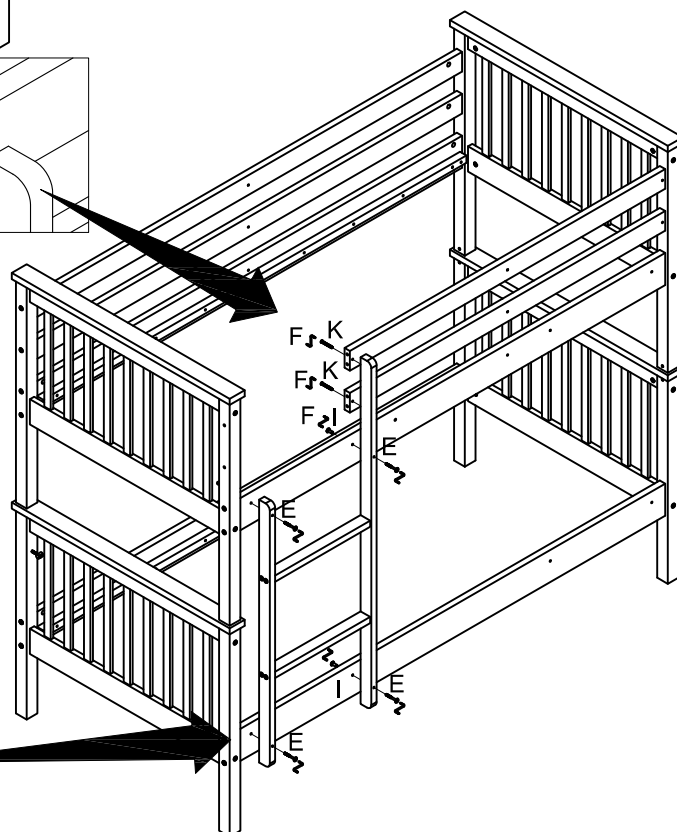
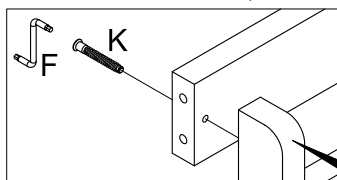
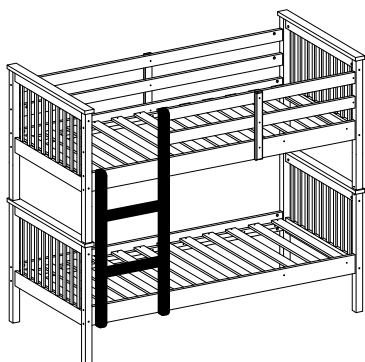
1

OPTION A:



2

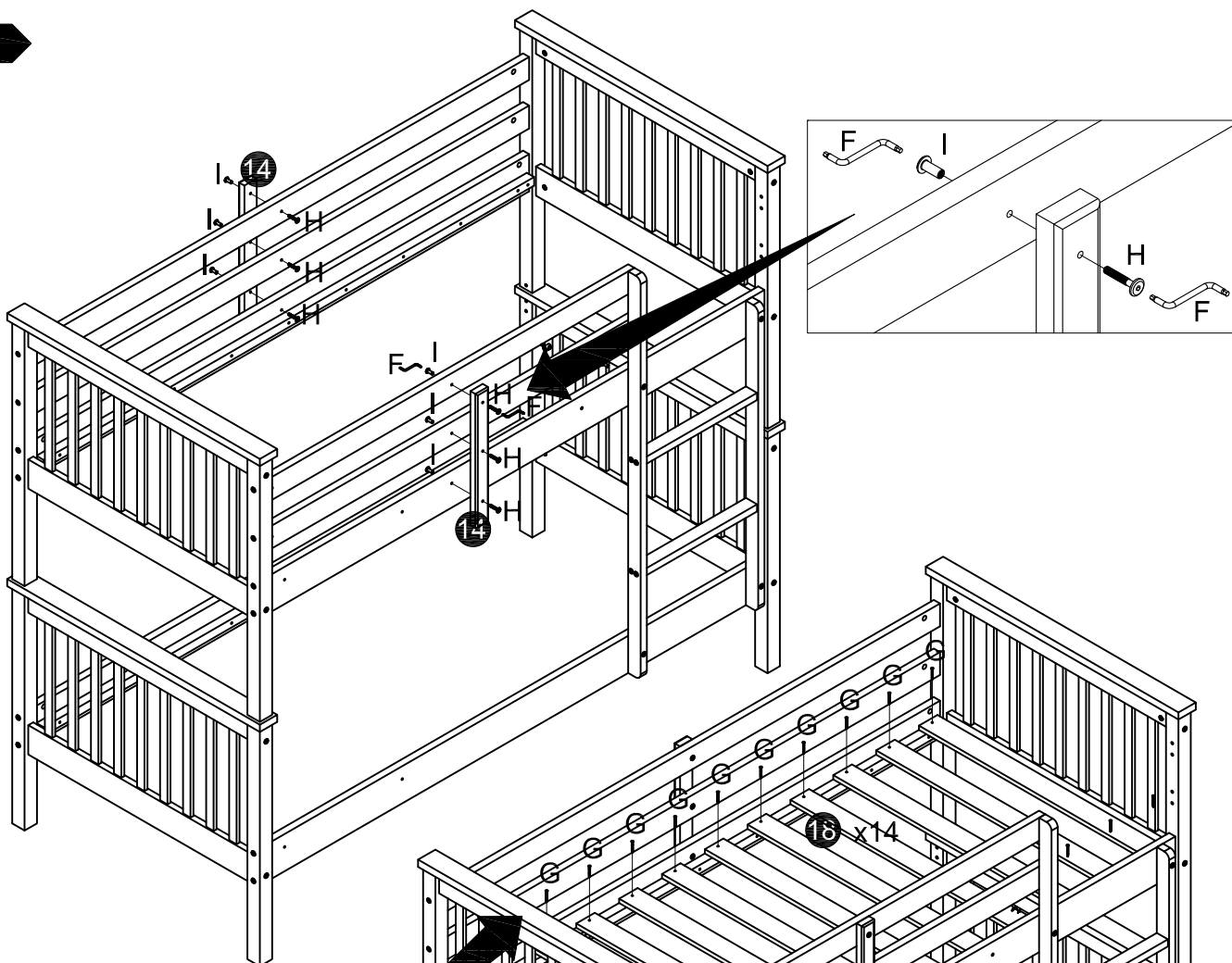
OPTION B:



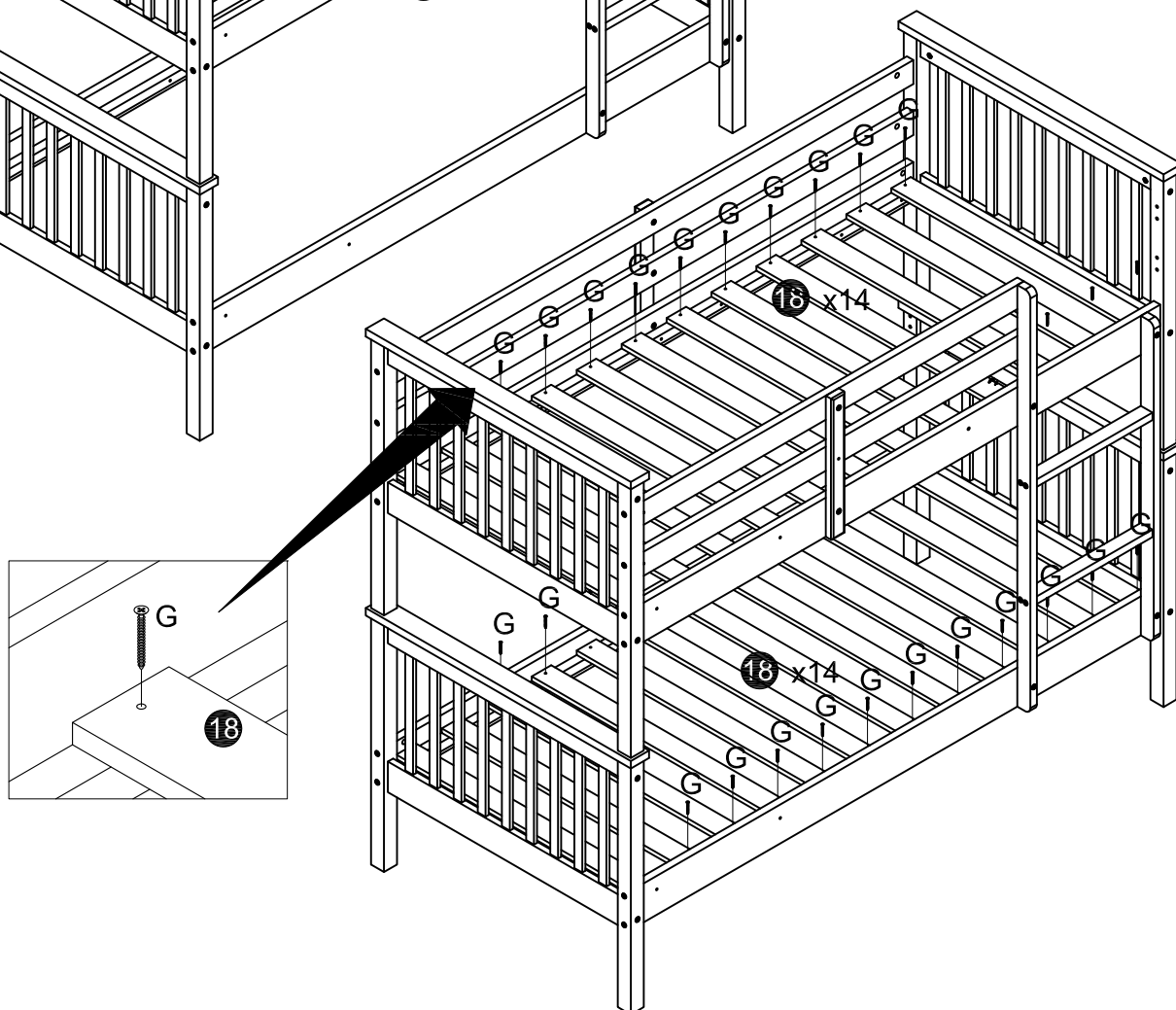
LIVING & CO PINE WOOD BUNK BED

STEP 10

1



2

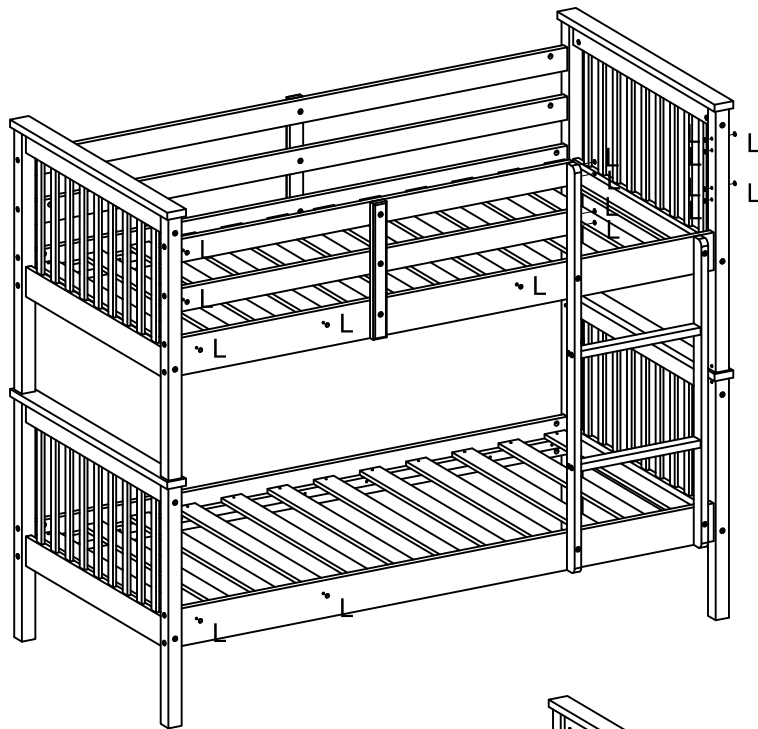
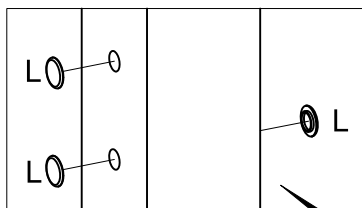
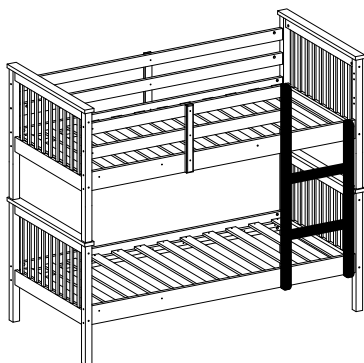


LIVING & CO PINE WOOD BUNK BED

STEP 11

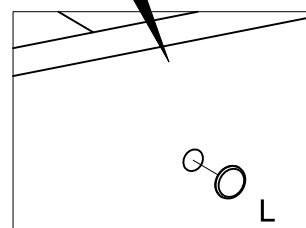
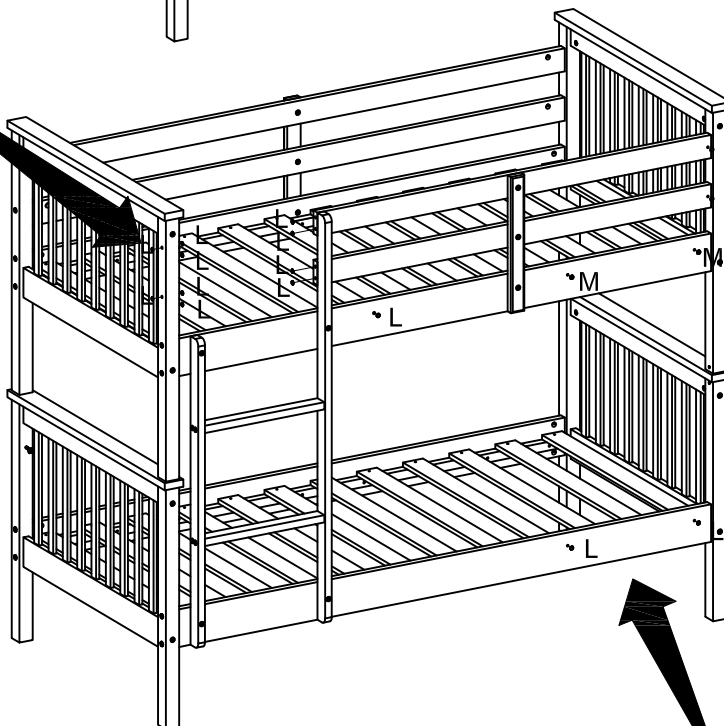
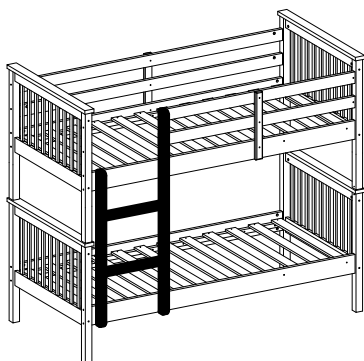
1

OPTION A:



2

OPTION B:



YOUR FURNITURE IS READY FOR USE