



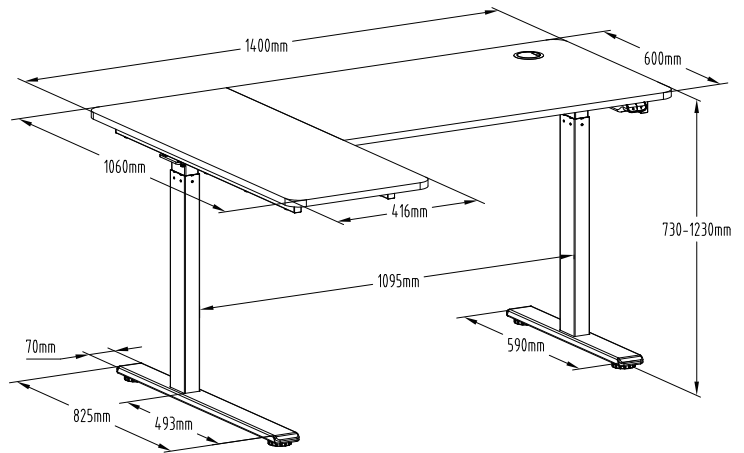
Corner Adjustable Desk Electric

INSTRUCTION MANUAL

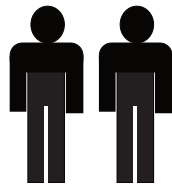
The Maximum Weight this product can hold
- up to 50kg



This icon in assembly instructions indicates important notes that users should follow during assembly.



To reduce paper waste and protect the environment, the instruction manual uses less pages and is printed on recycled paper.



2-PERSON ASSEMBLY

STOP
BEFORE
RETURNING
TO STORE

Read the manual.
It will help you get the best out of your product.

Still have questions?
Call After Sales Support
0800 222 246

FOR ADDITIONAL ASSEMBLY ASSISTANCE
PLEASE REFER TO OUR VIDEO ASSEMBLY
GUIDE ON OUR WEBSITE PLACED UNDER
THE PRODUCT DESCRIPTION – FEATURES
AND BENEFITS

Warranty

We pride ourselves on producing a range of quality products that are both packed with features and completely reliable. We are so confident in our products, we back them up with a two years warranty. Now you too can relax knowing that you are covered.

Customer Helpline NZ: 0800 222 246
This product is covered by two years warranty when accompanied by proof of purchase.

Marketed by The Warehouse Ltd
26 The Warehouse Way Northcote, Auckland 0627. 0800 422 274

IMPORTANT, RETAIN FOR FUTURE REFERENCE: READ CAREFULLY

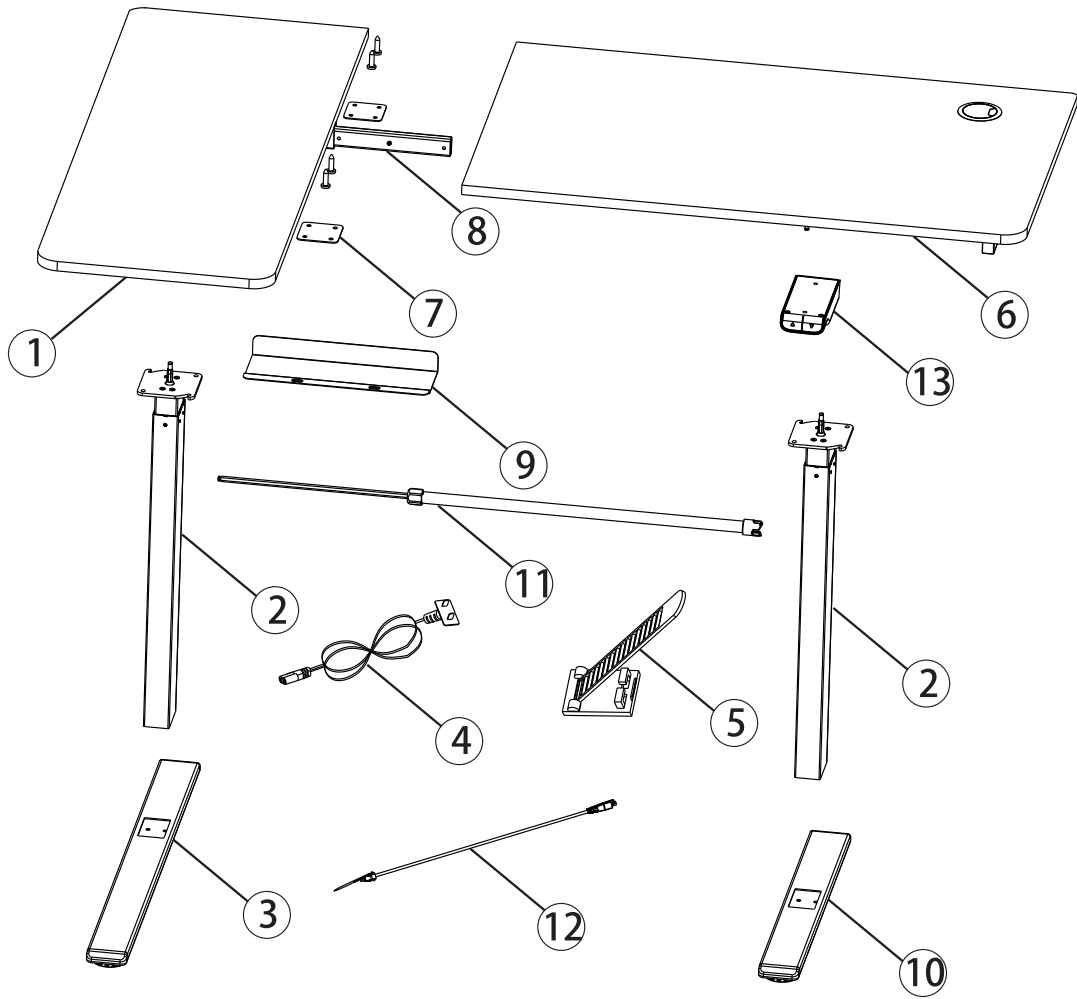
Tips Before You Start

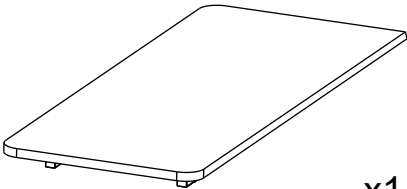
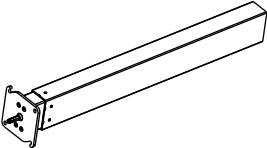
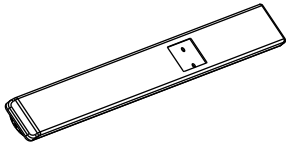
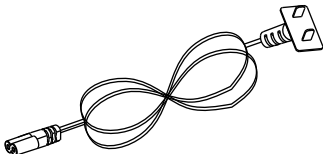
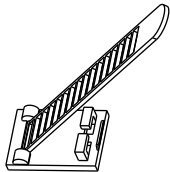
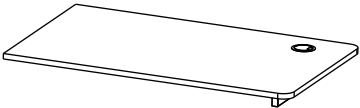
- 1 For the protection of your furniture, we recommend that the product is placed on a protected surface during assembly to prevent any damage.
- 2 Please check that all parts are present before you start the assembly of your furniture.
- 3 For ease and speed of assembly, we recommend that you identify all the parts required for each step before commencing assembly.
- 4 For larger items, please ensure that you have sufficient space and people (as indicated on page 1) to assemble your product safely.
- 5 We recommend that, where possible, all items are assembled near to the area in which they will be placed in use, to avoid moving the product unnecessarily.
- 6 During assembly please take care not to over-tighten hardware, as this may damage the product. Do not use power tools.
- 7 Always place the product on a steady and stable surface.
- 8 Do not stand on the product. Do not use the product as a stepladder.
- 9 This product is intended for indoor, household use only as it is a non-industrial product.
- 10 Please use caution and care when lifting the product to avoid personal injury and/or product damage.

Care and Maintenance

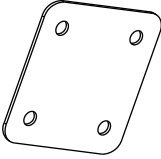
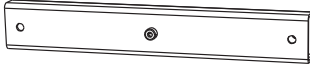
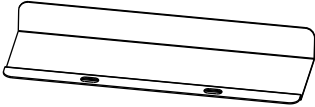
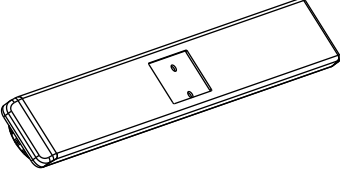

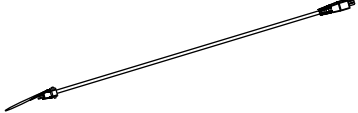
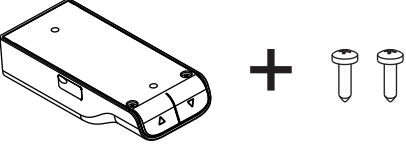
- ✓ Please periodically check all things and re-tighten as necessary.
- ✓ To clean your item, please use a damp cloth and wipe clean.
- ✓ Never allow any kind of liquid to remain on your furniture.
- ✓ Absorption can cause wood to warp or finishes to delaminate.
- ✓ Please do not place hot items (e.g., hot drinks) directly onto the surface.
- ✓ Please do not drag and pull your furniture.






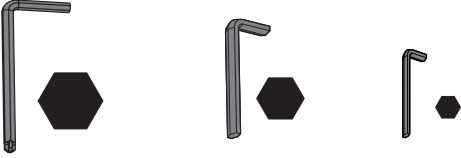
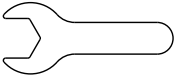
Part Name



<p>1</p>  <p>x1 PC</p>	<p>2</p>  <p>x2 PCS</p>	<p>3</p>  <p>x1 PC</p>
<p>4</p>  <p>x1 PC</p>	<p>5</p>  <p>x4 PCS</p>	<p>6</p>  <p>x1 PC</p>

Part Name

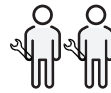
<p>7</p>  <p>x2 PCS</p>	<p>8</p>  <p>x1 PC</p>	<p>9</p>  <p>x1 PC</p>
<p>10</p>  <p>x1 PC</p>	<p>11</p>  <p>x1 PC</p>	<p>12</p>  <p>x1 PC</p>
<p>13</p>  <p>x1 PC</p>		

<p>A x 2 pcs</p>  <p>M8</p>	<p>B x 2 pcs</p>  <p>M8</p>	<p>C x 8 pcs</p>  <p>ST4.2</p>	<p>D x 4 pcs</p>  <p>M6</p>	<p>E x 8 pcs</p>  <p>M6</p>
<p>F x 1 pc</p>  <p>5X5(with cross) 4x4 2.5x2.5</p>			<p>G x 1 pc</p>  <p>Wrench</p>	

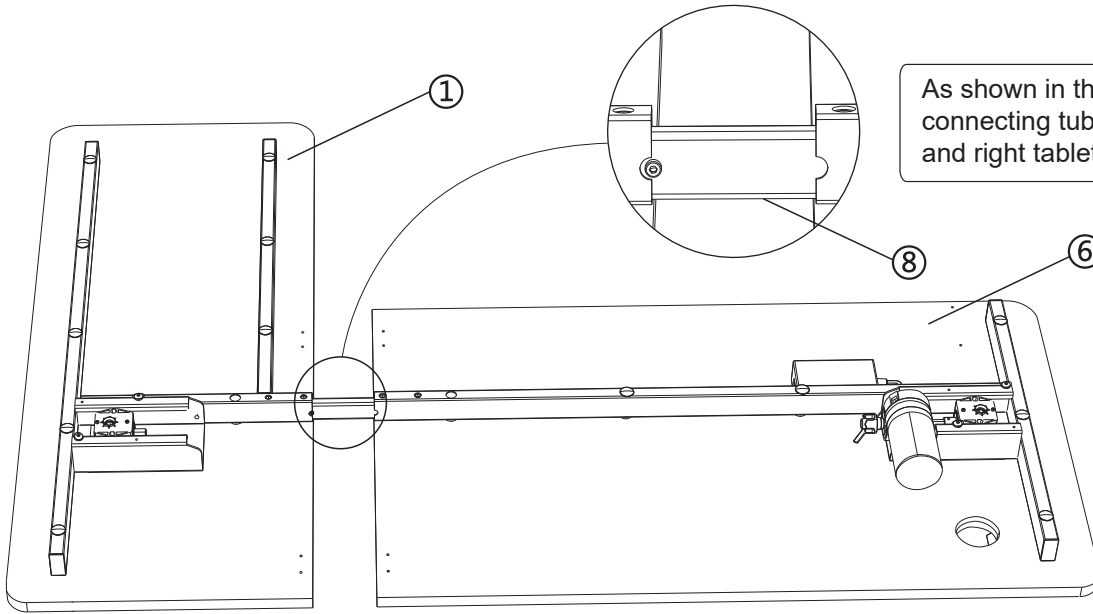
Assembly

Step 1

Assemble Tabletop Assemblies



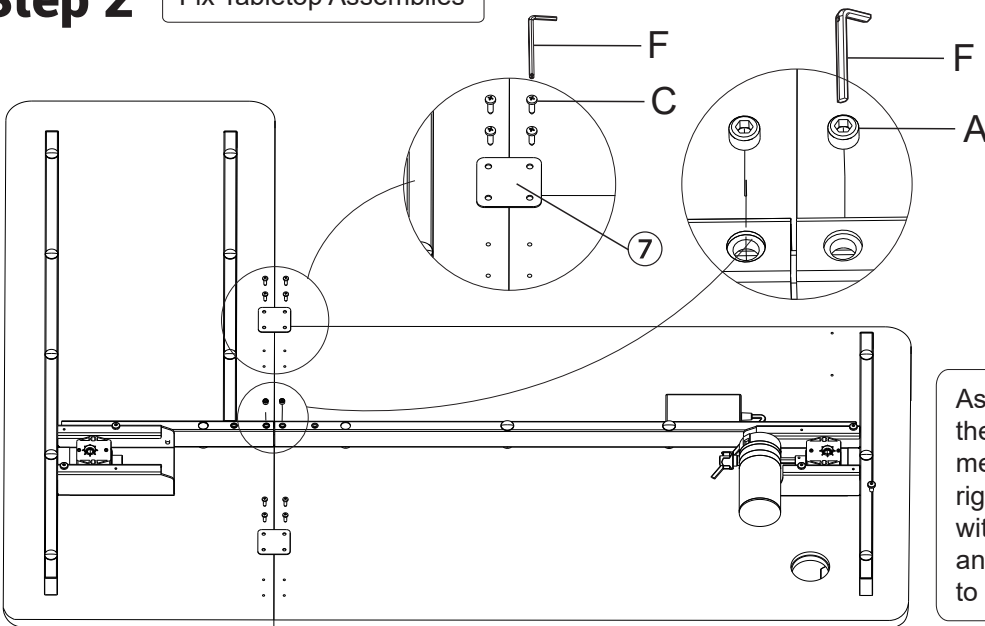
Caution: Please place the tabletop on a flat and clean floor to prevent it from dust or scratches




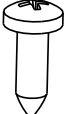

As shown in the figure, insert connecting tube(8) into left and right tabletop assemblies.

Step 2

Fix Tabletop Assemblies



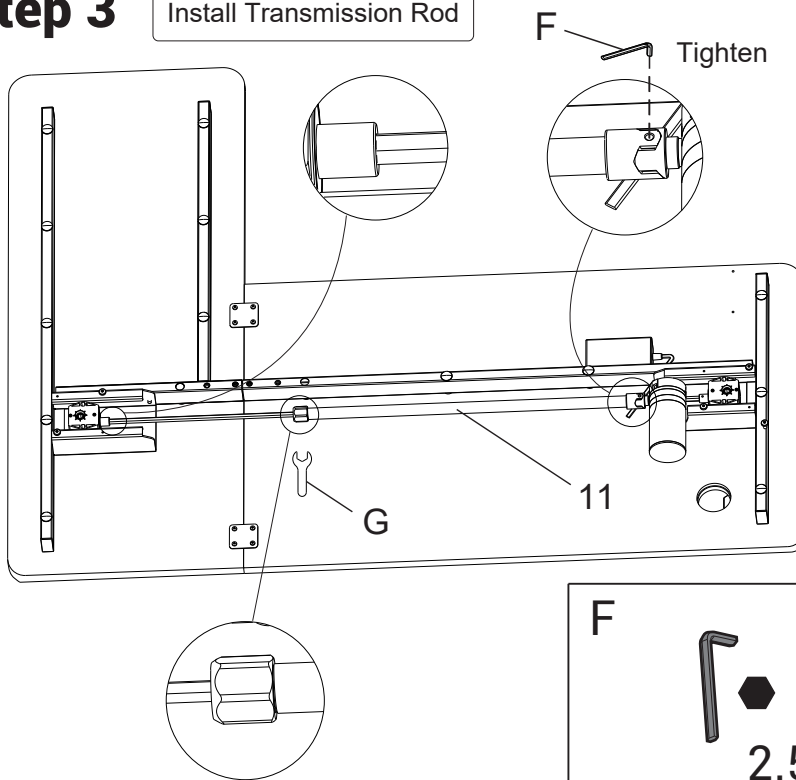
As shown in the figure, fix the connecting sheet metal (7) on the left and right tabletop assemblies with ST 4.2 x 13 screws(C), and use a 4 x 4 allen key(F) to tighten M8x6 screws (A).

<p>A</p>  <p>2 PCS</p>	<p>C</p>  <p>8 PCS</p>	<p>F</p>  <p>5x5 4x4</p>
---	---	--

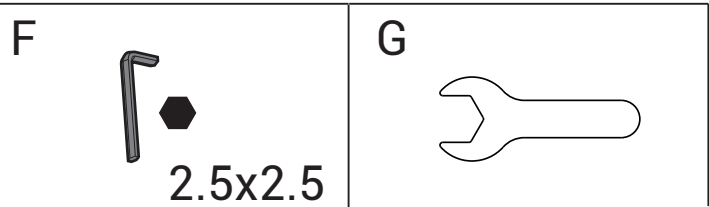
Assembly

Step 3

Install Transmission Rod

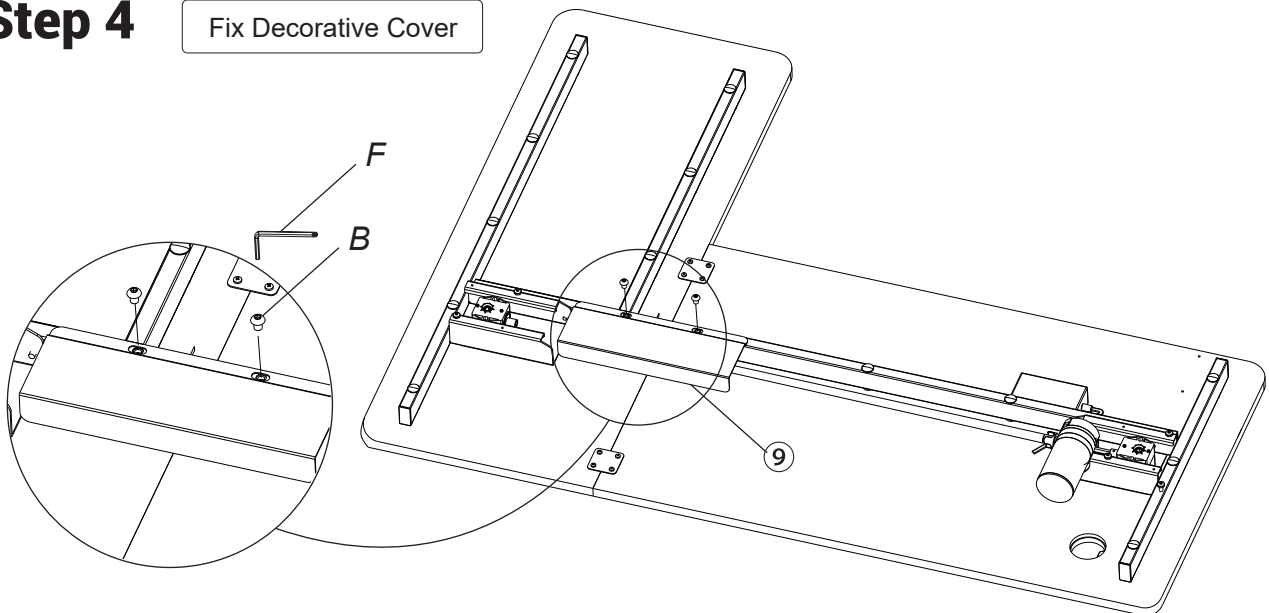


As shown in the left figure, after inserting the transmission rod (11) into left and right tabletop assemblies, tighten the nuts with the wrench (G).

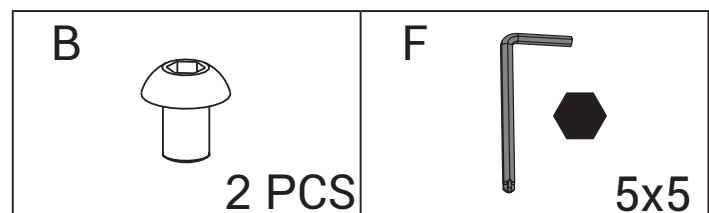


Step 4

Fix Decorative Cover



Use the M8x10 screws(B) to fix the decorative cover(9).

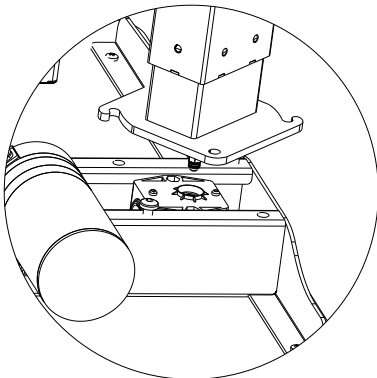
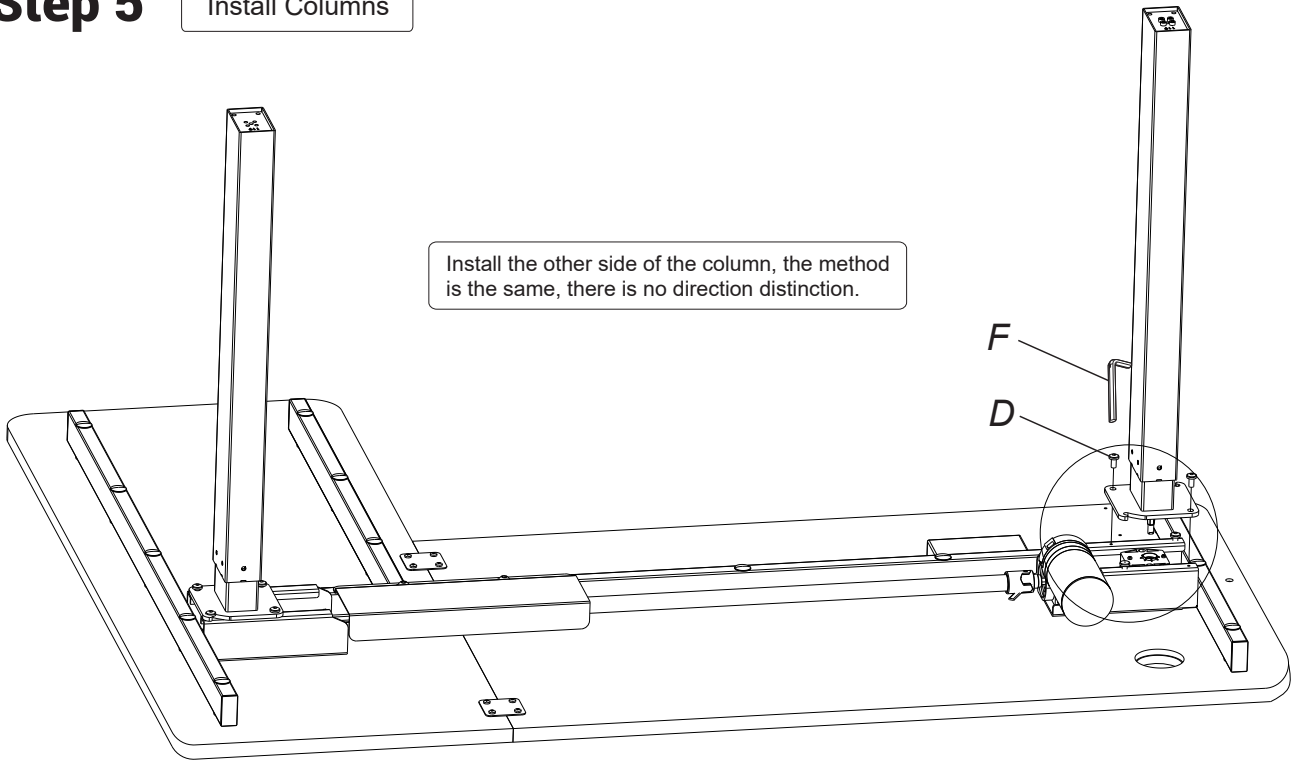


Assembly

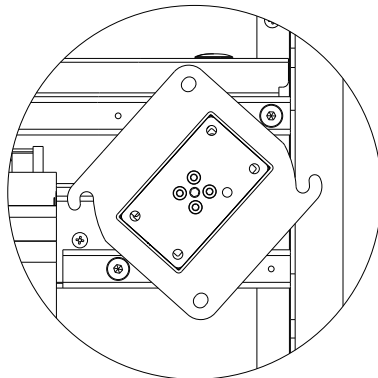
Step 5

Install Columns

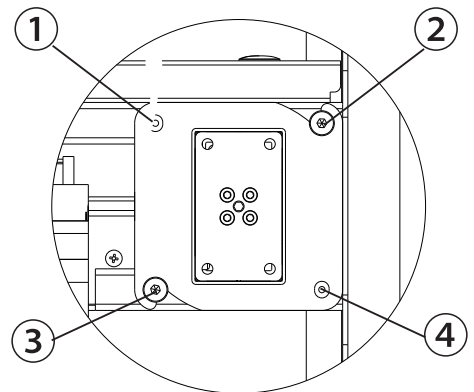
Install the other side of the column, the method is the same, there is no direction distinction.



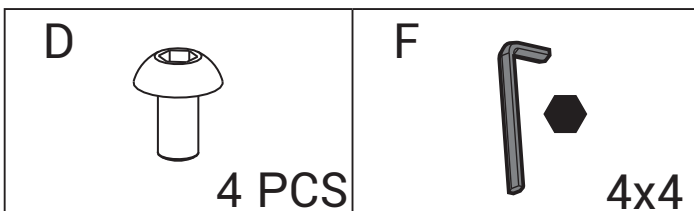
1. As shown in the picture, insert the coupling of the column into the gear box



2. Rotate the column(2) to the position as shown in the picture and avoid the screws, then rotate counterclockwise after completely inserting



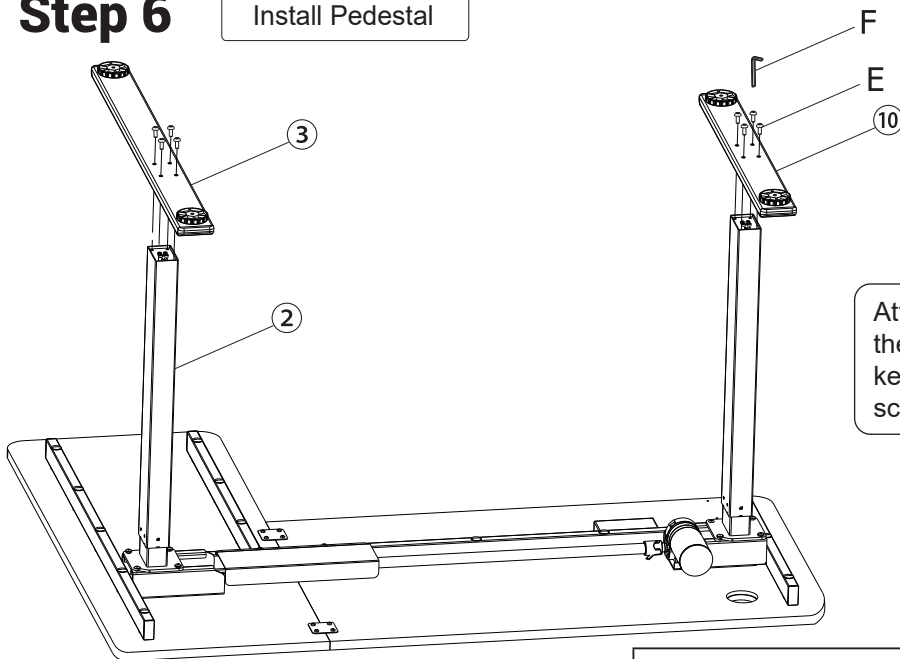
3. After rotating to the position as shown in the picture, use a 4x4 allen key (F) to screw 2 M6x12 screws (D) into the position 1 and 2 shown in the figure, and then tighten the screws at the position 3 and 4 to complete the installation.



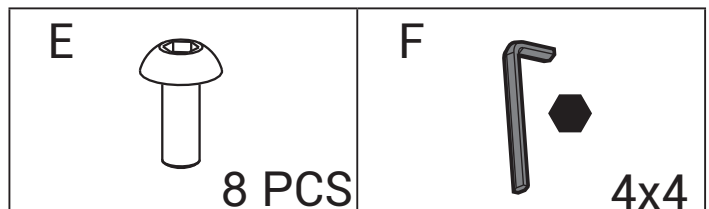
Assembly

Step 6

Install Pedestal



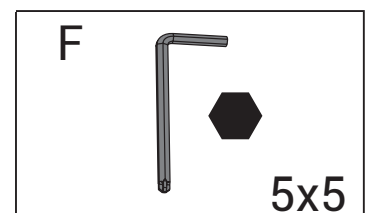
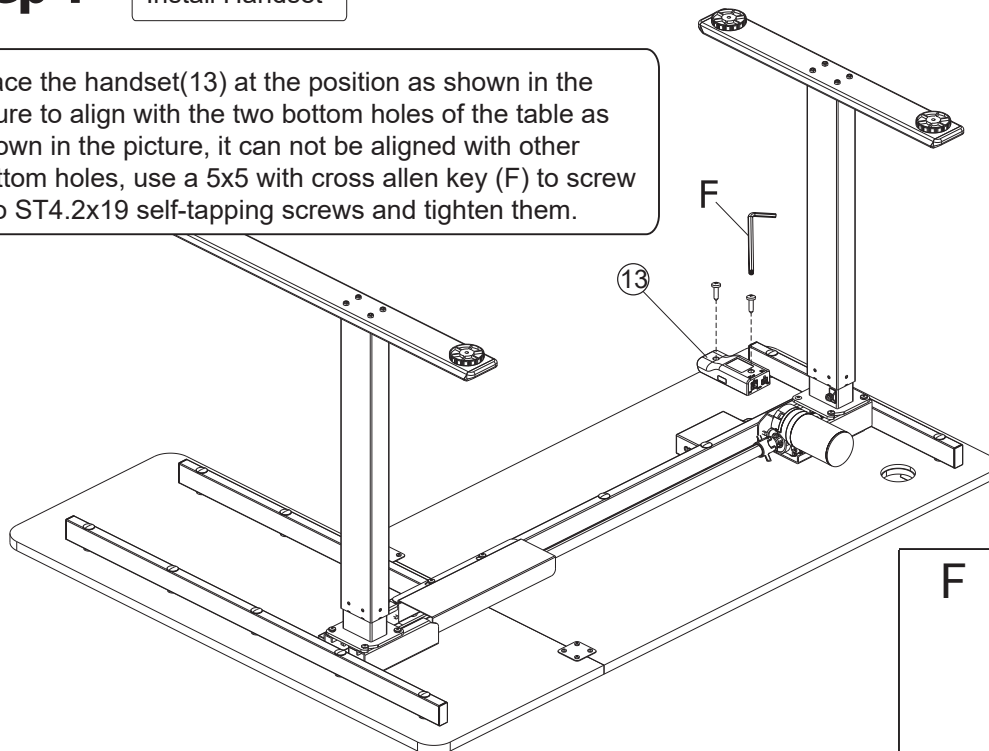
Attach the pedestals (3&10) to the columns (2), use a 4x4 allen key (F) to screw in 8 M6x16 screws (E) and tighten them.



Step 7

Install Handset

Place the handset(13) at the position as shown in the figure to align with the two bottom holes of the table as shown in the picture, it can not be aligned with other bottom holes, use a 5x5 with cross allen key (F) to screw two ST4.2x19 self-tapping screws and tighten them.

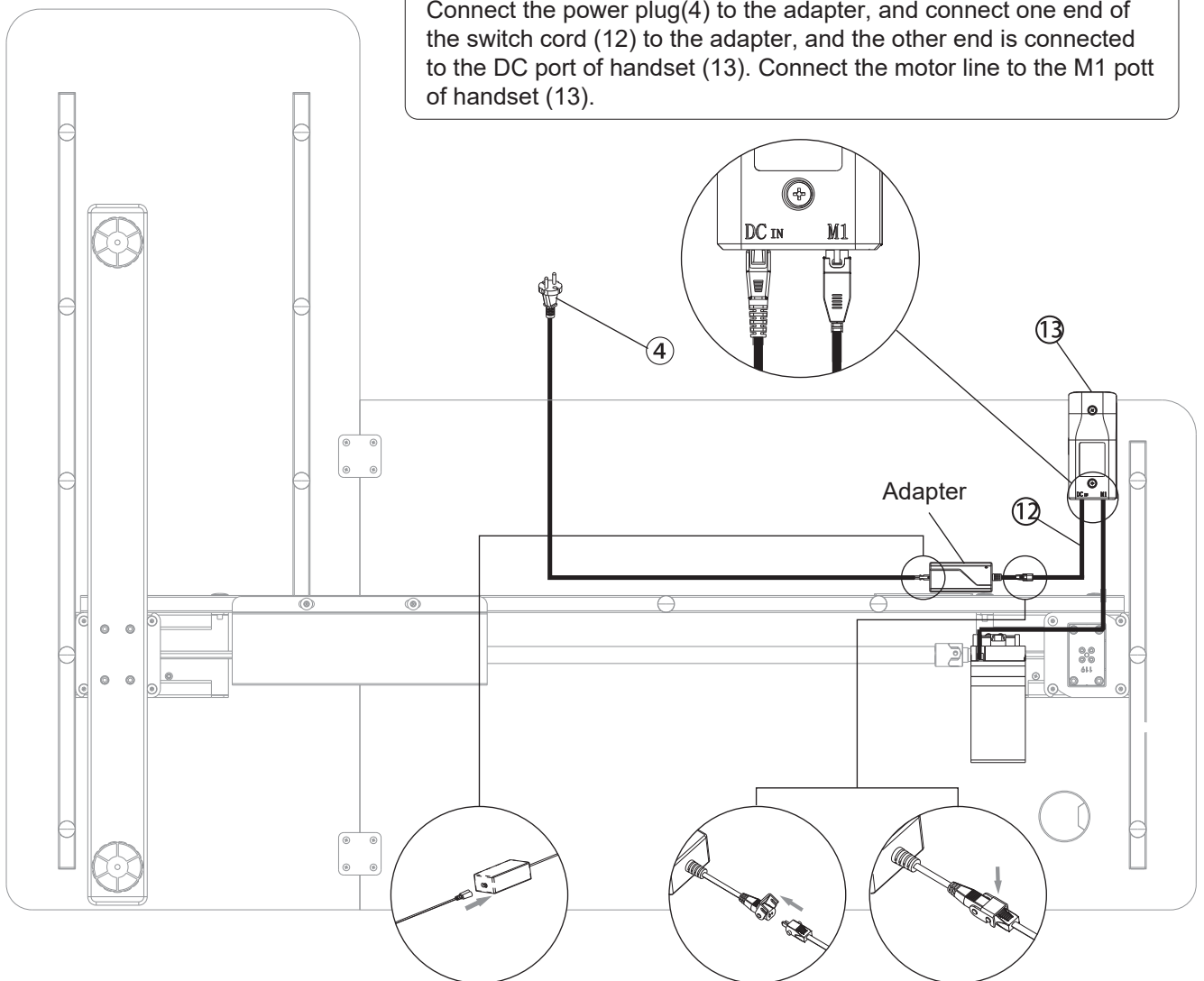


Assembly

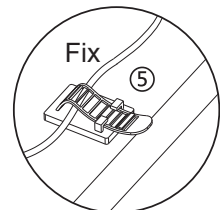
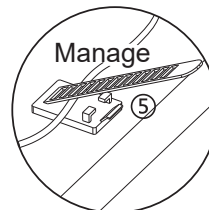
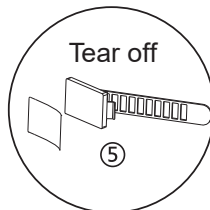
Step 8

Wiring Cables

Connect the power plug(4) to the adapter, and connect one end of the switch cord (12) to the adapter, and the other end is connected to the DC port of handset (13). Connect the motor line to the M1 port of handset (13).

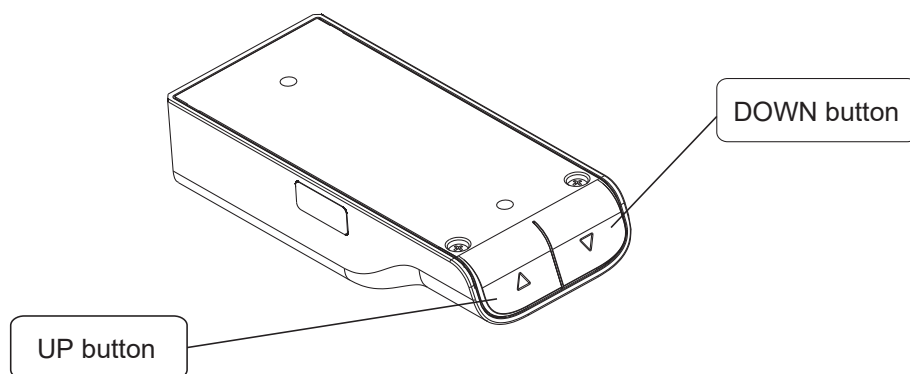


Use cable ties(5) to fix the cables to keep the desk tidy.



Operation Instruction

1. Product Outline



2. Product Specification

1. Button introduction: There are two buttons that "▲", "▼".

- (1) "▲": Adjust the desk upwards;
- (2) "▼": Adjust the desk downwards;

3. Operating Instructions

- Button Lift Function

Press the "▲" or "▼" button to adjust the height of the desk.

Assembly

● Reset Function

(1) When at the lowest position, long press the "▼" button for more than 5 seconds to enter the reset mode. The reset will be finished until the lift system rebound and stop after reaching the bottom.

(2) When the lifting system fails, release the button, long press the "▼" button, the reset will be finished until the lift system rebound and stop after reaching the bottom.

Issues and Tips.

The following tips will help you detect and eliminate a common fault and error. If a fault identified is not listed below, please contact customer services.

Fault	Method
No response while long pressing down arrow after connected with a power supply	1.Check if all the cables be connected well
	2.Contact your supplier or dealer
The desktop could not be lifted	1.Check if overloaded, max loading: 50kg;
	2.Contact your supplier or dealer
Overwork (Duty cycle:Max 2min on/18min OFF)	1.Restart it after suspend for 18mins for the working time is too long
	2.Contact your supplier or dealer

Assembly

