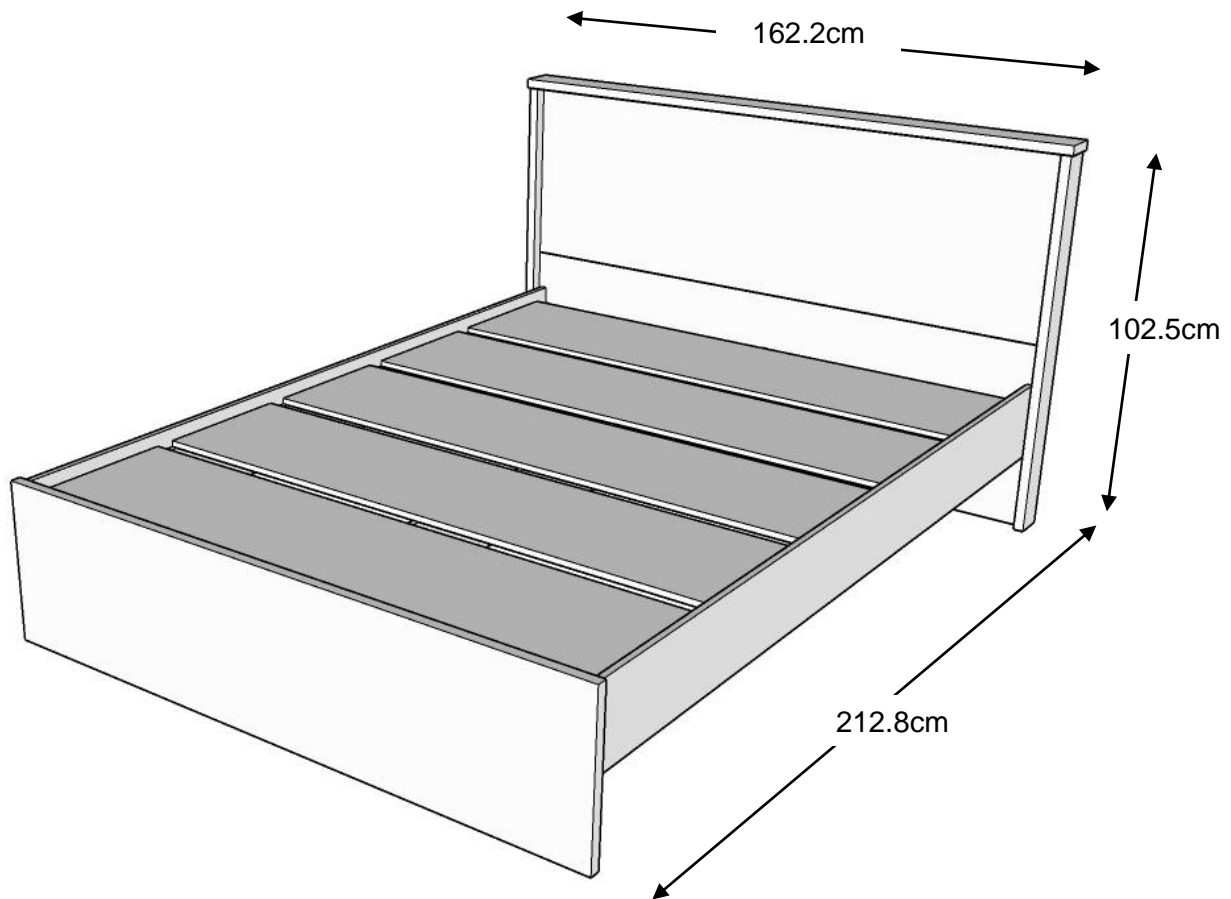


LIVING & CO[®]

Waipoua Queen Bedframe






INSTRUCTION MANUAL

Maximum recommended weight is 200kg



5 YEAR WARRANTY

Assembly Details

<p>120Min Approximate Assembly Time</p>	<p> 2 Person Assembly</p>	<p>Floor Area 3m x 4m  Required Assembly Space</p>
<p> Tools Required</p>		

Tips before you start

1. For the protection of your furniture, we recommend that the product is placed on a protected surface during assembly to prevent damage
2. Please check that all parts are present before you start the assembly of your furniture
3. For ease and speed of assembly, we recommend that you identify all the parts required for each step before commencing with assembly
4. For larger items, please ensure that you have sufficient space (as indicated on page 1)
5. We recommend that, where possible, all items are assembled near to the area in which they will be placed in use, to avoid moving the product unnecessarily
6. During Assembly, please take care not to over-tighten hardware as this may damage the product
7. Always place the product on a steady and stable surface
8. Do not use the product as a stepladder
9. This product is intended for indoor, household use only as it is a non-industrial product

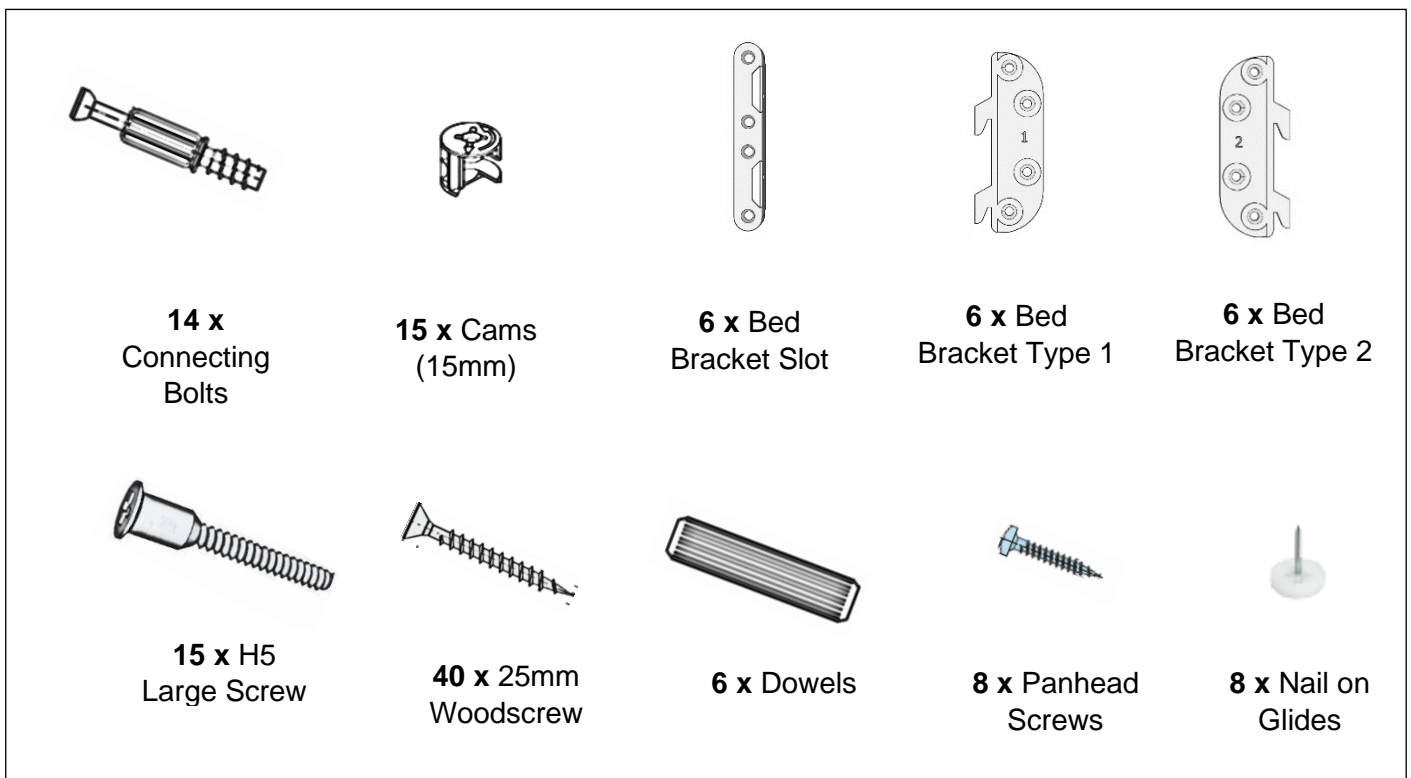
Care and Maintenance

- ✓ Please periodically check all fittings and re-tighten as necessary
- ✓ To clean your item, please use a damp cloth and wipe clean
- ✓ Never allow any kind of liquid on your furniture
- ✓ Please do not place hot items (e.g. Hot drinks) directly on to the surface

Parts List

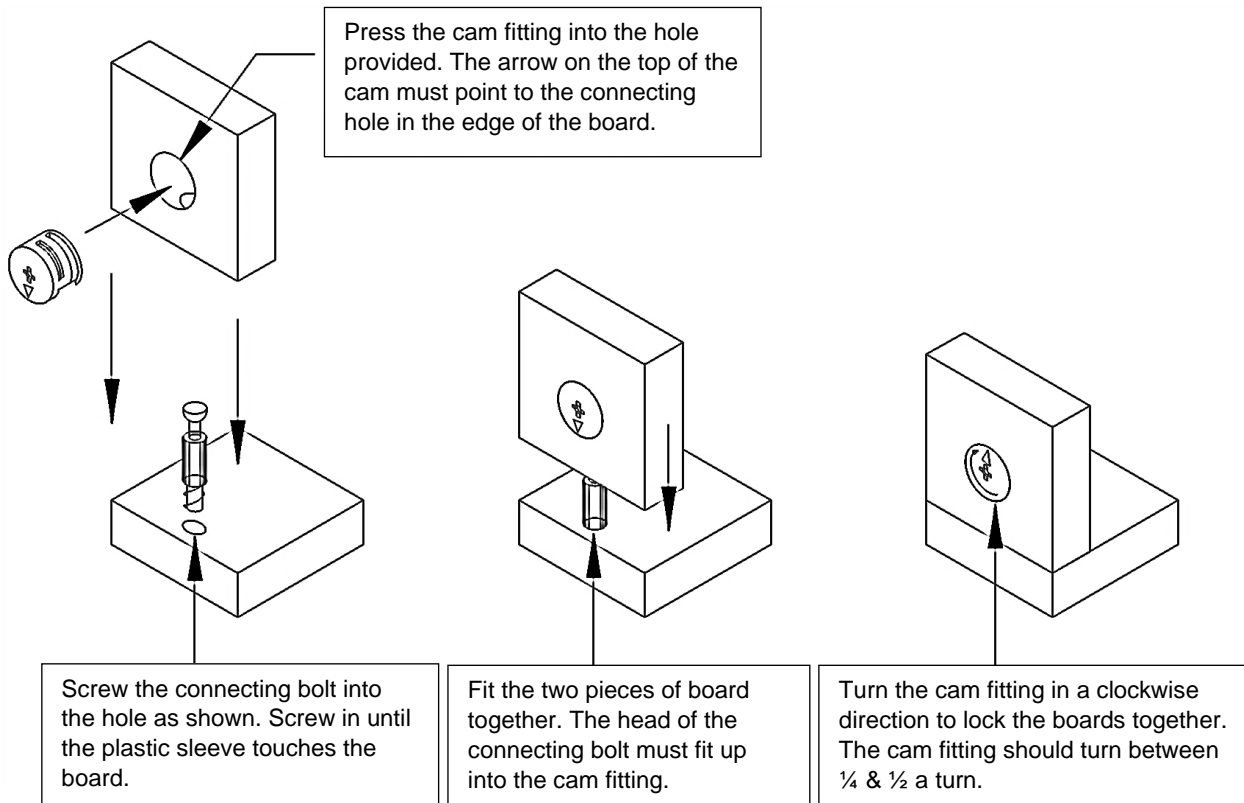
QTY	PART	MEASUREMENTS	NOTES
1	Headboard Top	1622 x 92 x 25mm	Laminate on both sides
1	Headboard LH End	1000 x 80 x 25mm	Laminate on both sides (green mark on back)
1	Headboard RH End	1000 x 80 x 25mm	Laminate on both sides (red mark on the back)
1	Headboard Top Panel	1560 x 500 x 15mm	Laminate on one side
1	Headboard Bottom Panel	1560 x 500 x 15mm	Laminate on one side
2	Side Rail	2050 x 196 x 30mm	Laminate on one side
1	Centre Rail	2050 x 148 x 15mm	Plain (unfinished)
1	Footboard	1560 x 396 x 25mm	Laminate on both sides
5	Bed Slat	1510 x 350 x 15mm	Plain (unfinished)

Hardware List



Cam Installation & Operation Guide

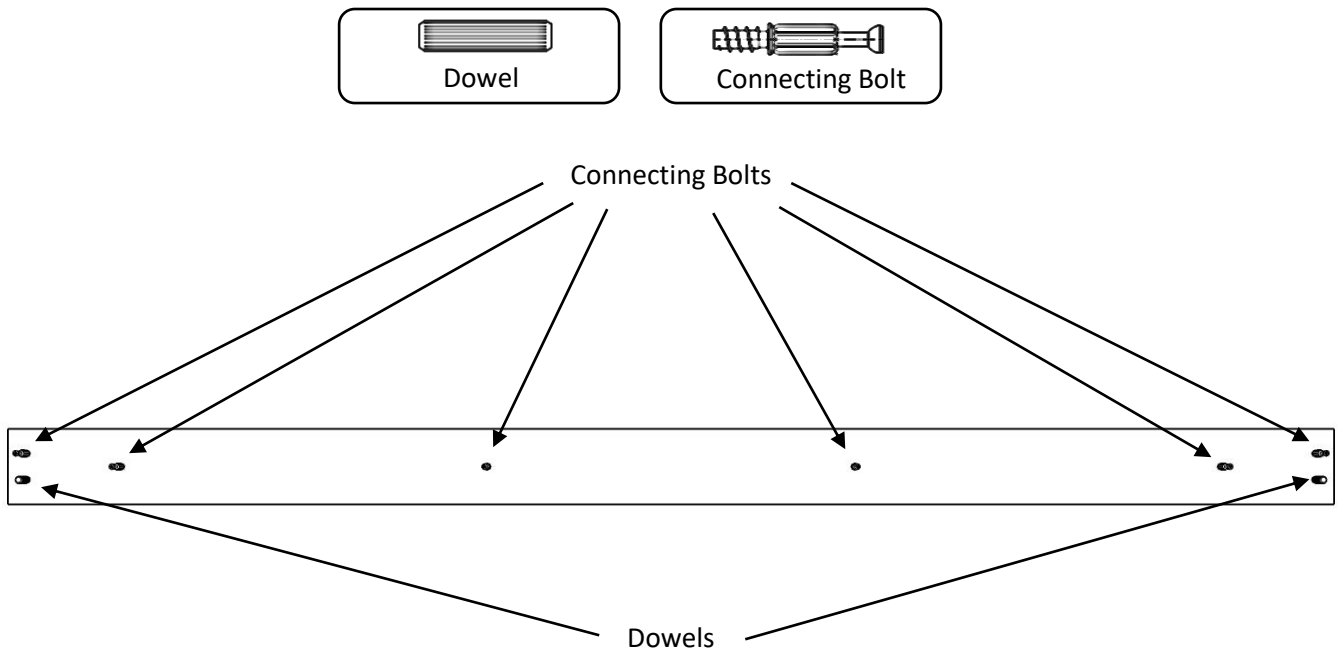
The Cam and Connecting Bolt system is used to put your unit together. Below is an explanation of how this system works.



Assembly

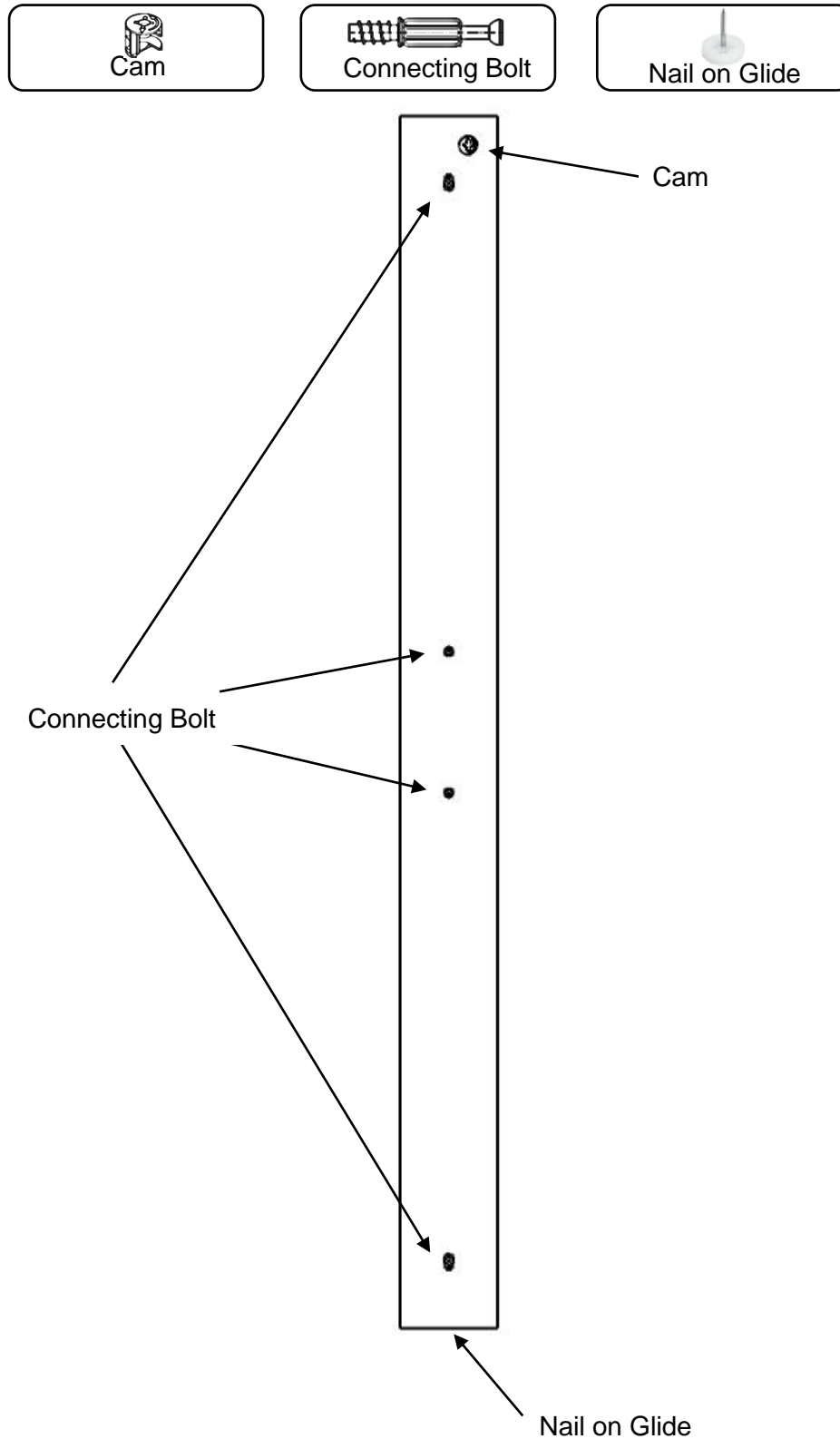
STEP 1: Headbaord Top

- To begin assembly, lay the **Top** down with the holes facing up on a clean and clear surface.
- Screw six **Connecting Bolts** into the holes as shown.
- Insert the two **Dowels** into the holes as shown.



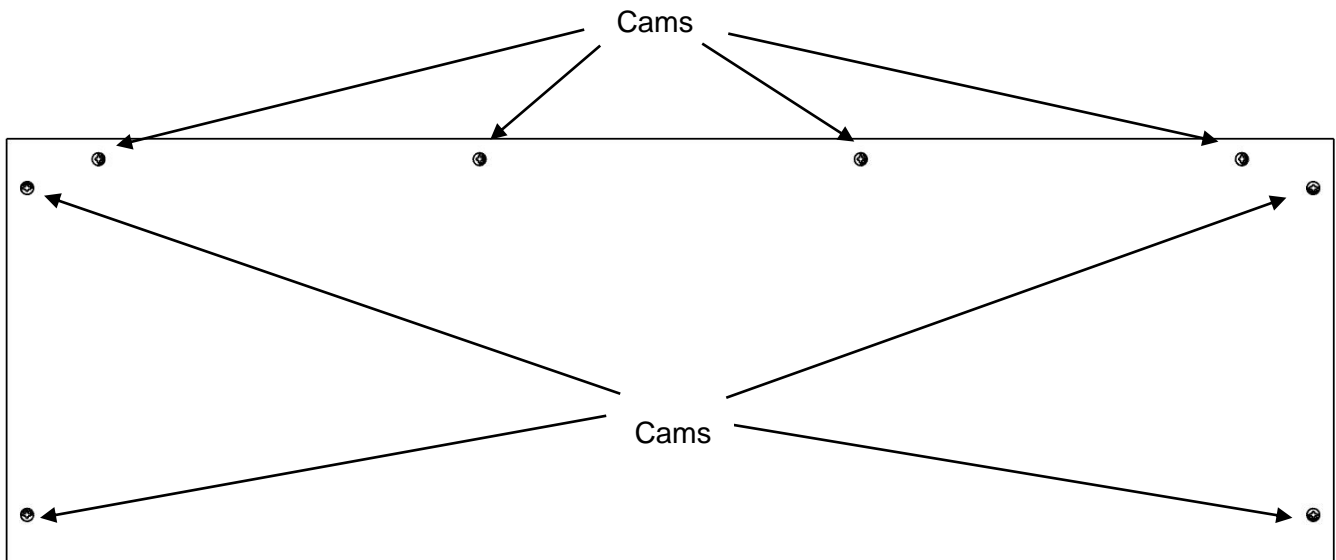
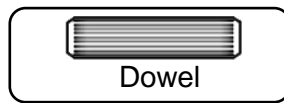
STEP 2: LH & RH Headboard Ends

- Lay the **LH end** down with the holes facing up on a clean and clear surface.
- Insert the cam into the large hole as shown on page 5. Ensure they are inserted in the right orientation.
- Screw in the four connecting bolts in the holes indicated below.
- Tap the nail on glide into the centre of the base of the end.
- Repeat these steps for the RH end.

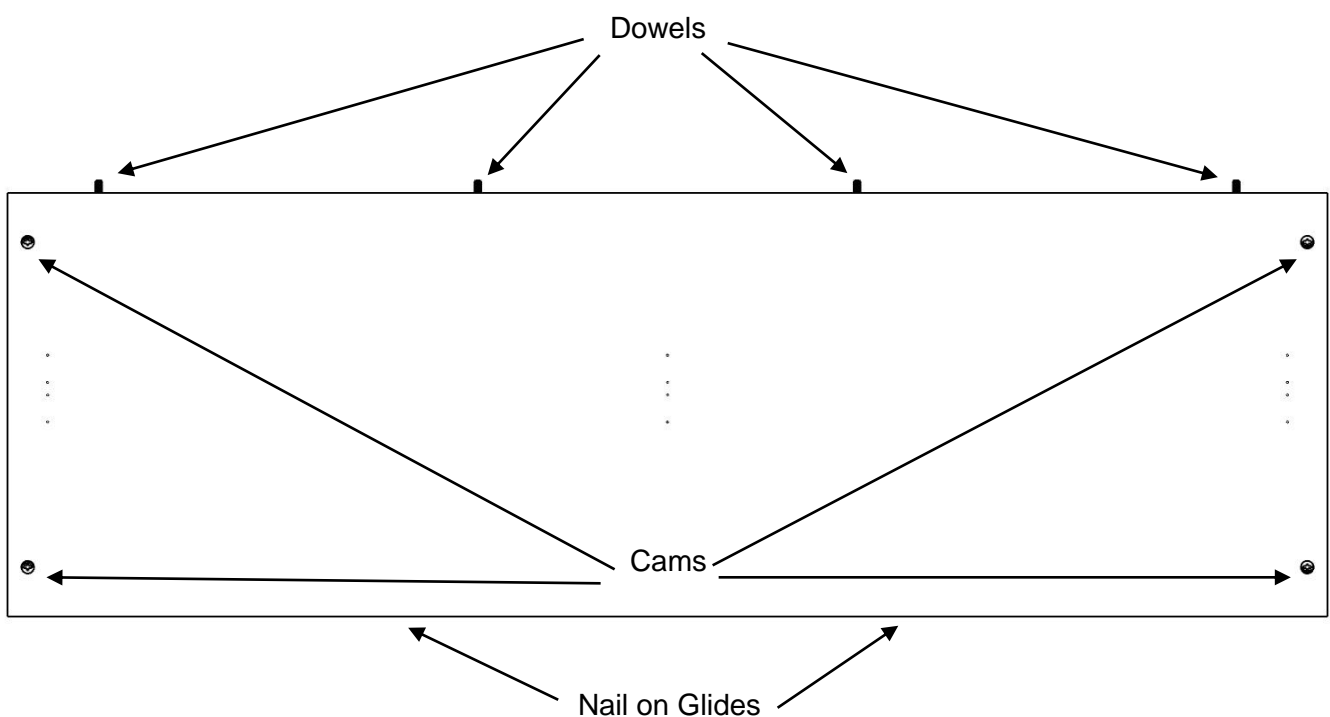


STEP 3: Headboard Panels

- Lay the headboard **top panel** with the holes facing up on a clean and clear surface.
- Insert the eight Cams into the holes as shown on page 5. Ensure they are inserted in the right orientation.

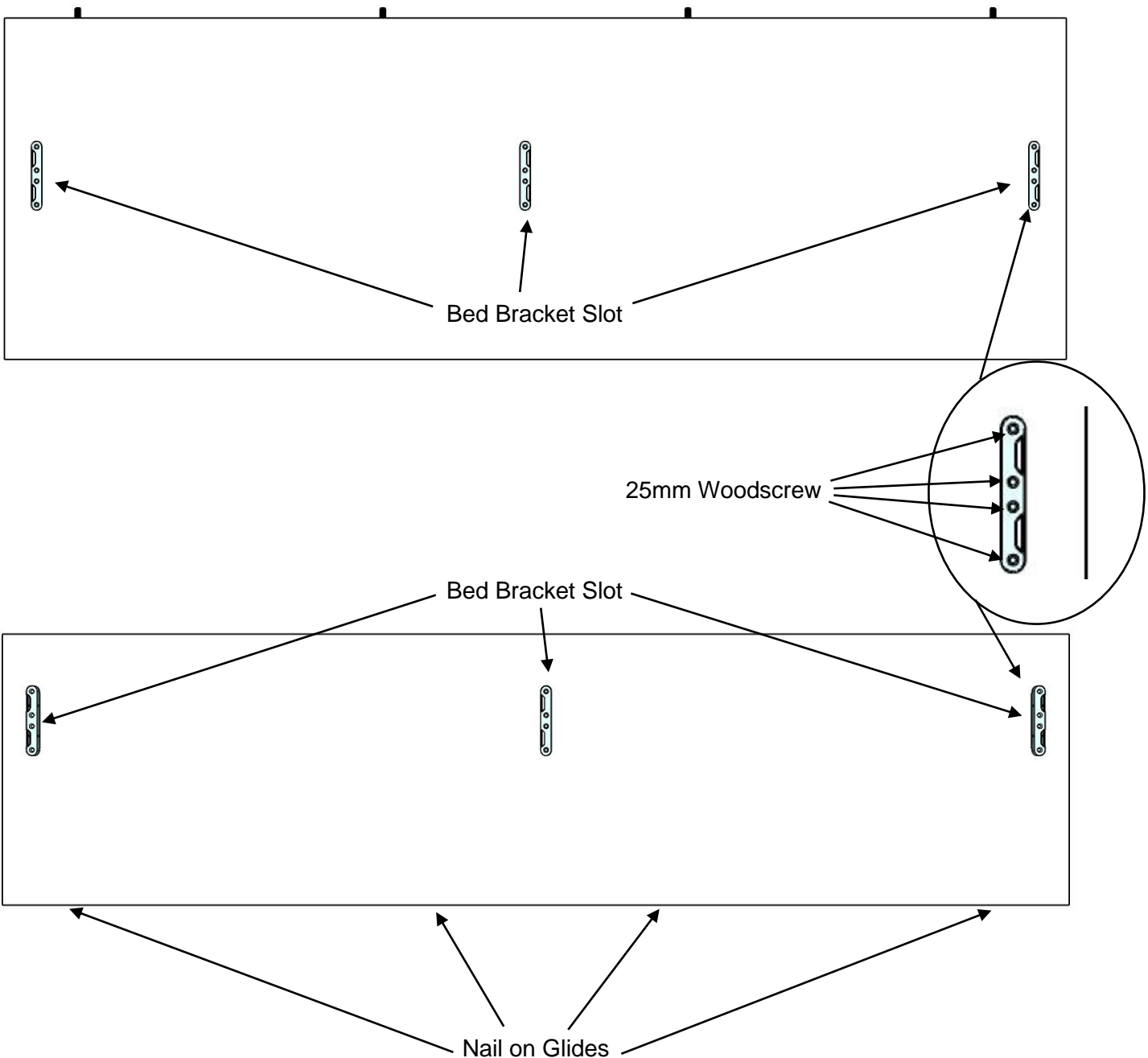
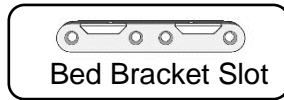
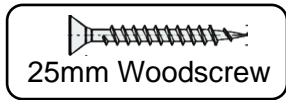


- Lay the headboard **bottom panel** with the holes facing up on a clean and clear surface.
- Insert the four Cams into the holes as shown on page 5. Ensure they are inserted in the right orientation.
- Insert the Dowels in the four holes in the top of the panel.
- Tap the two Nail on Glides into the bottom of the panel as indicated below.



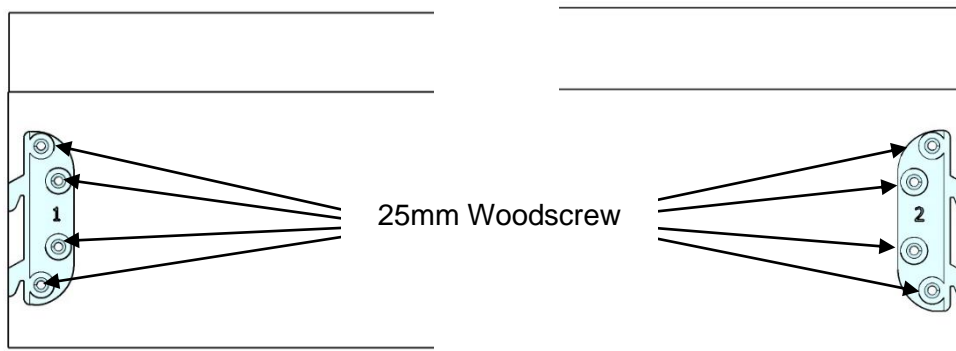
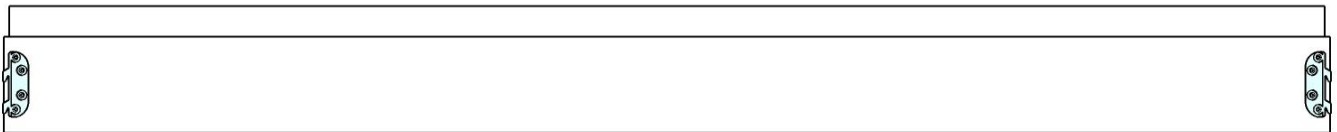
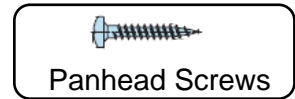
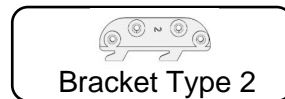
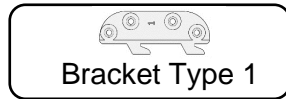
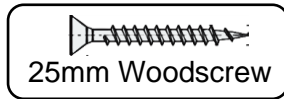
STEP 4: Bed Brackets

- Flip the headboard **bottom panel** over and lay down with the cams facing down, **finished side up**.
- Place three brackets over the small pre-drilled holes and insert the four 25mm Woodscrews in each one as shown below. Ensure the slots in the brackets on the sides are closest to the edge of the panel and the centre bracket has the slot on the RH.
- Repeat the installation of the brackets on the **footboard** the same way however ensure the centre brackets has the slot on the LH side.
- Tap the four Nail on Glides into the bottom (unfinished edge) of the footboard as indicated below.

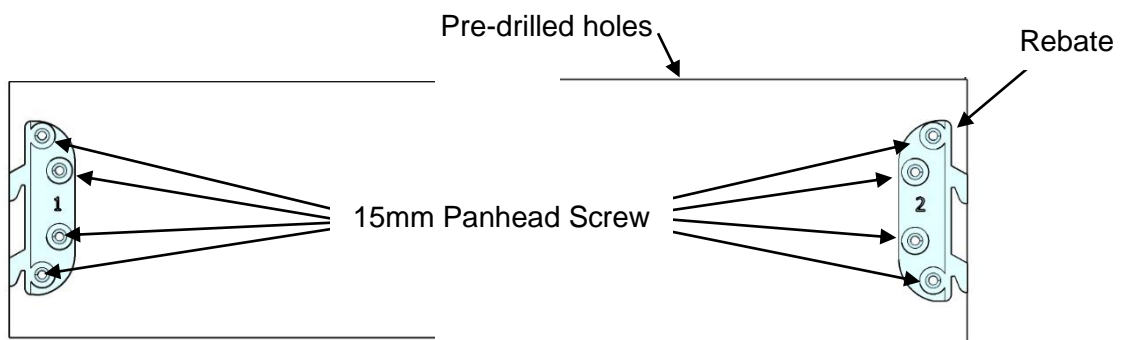


STEP 5: Side Rails

- Lay one of the **Side Rails** finished side down on a clean clear surface.
- Position the **Bed Brackets** over the holes at each end of the rail ensuring the type 1 and 2 are at opposite ends as shown below.
- Insert the four **25mm Woodscrews** in each of the brackets.
- Repeat these steps for the second Side rail.

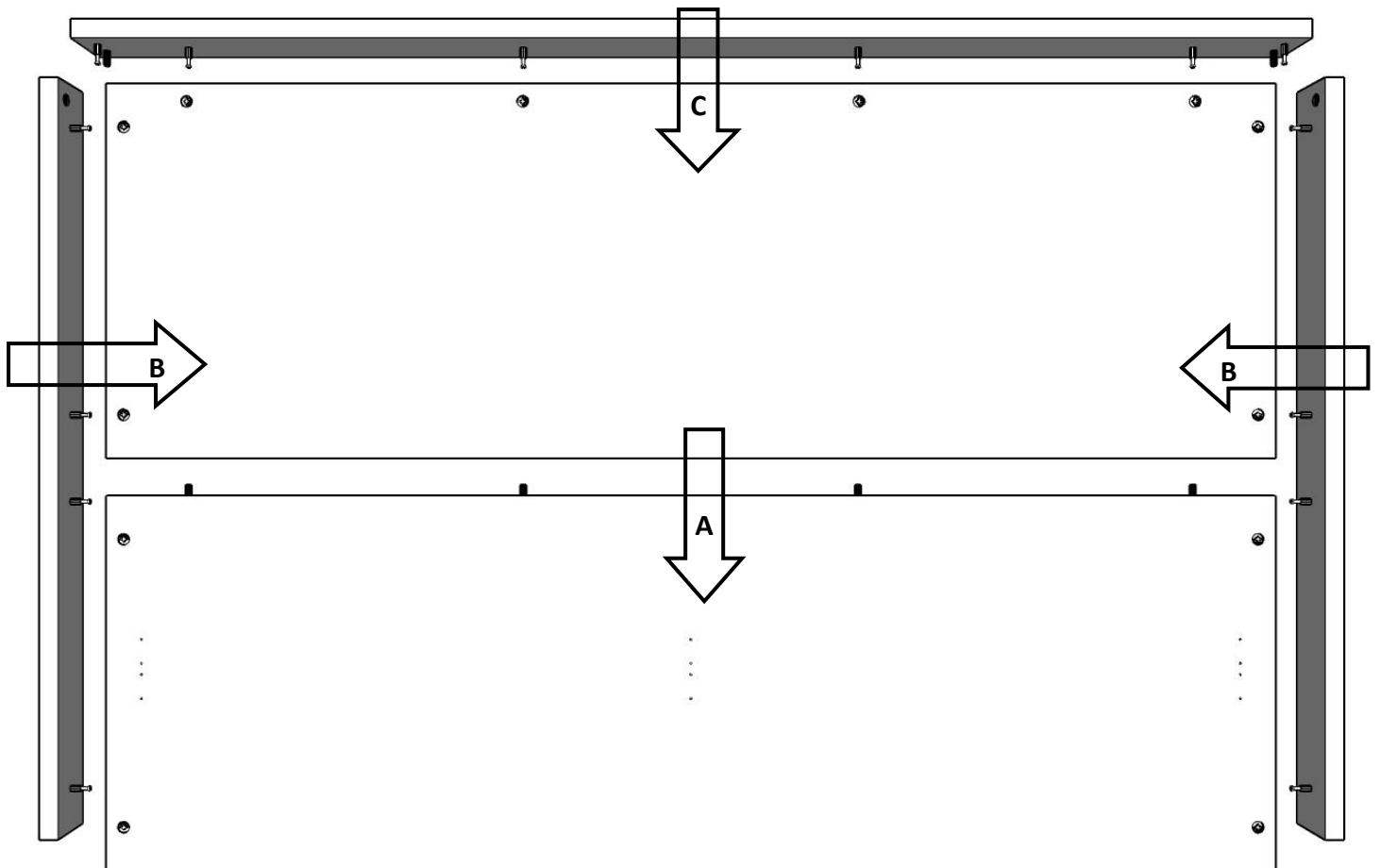


- Repeat these steps for the **Centre Rail** and insert the **15mm Panhead screws** into the four holes in each bracket. Ensure the brackets are screwed to the face with the indented rebates and the pre-drilled holes in the edge of the rail are on the top edge.



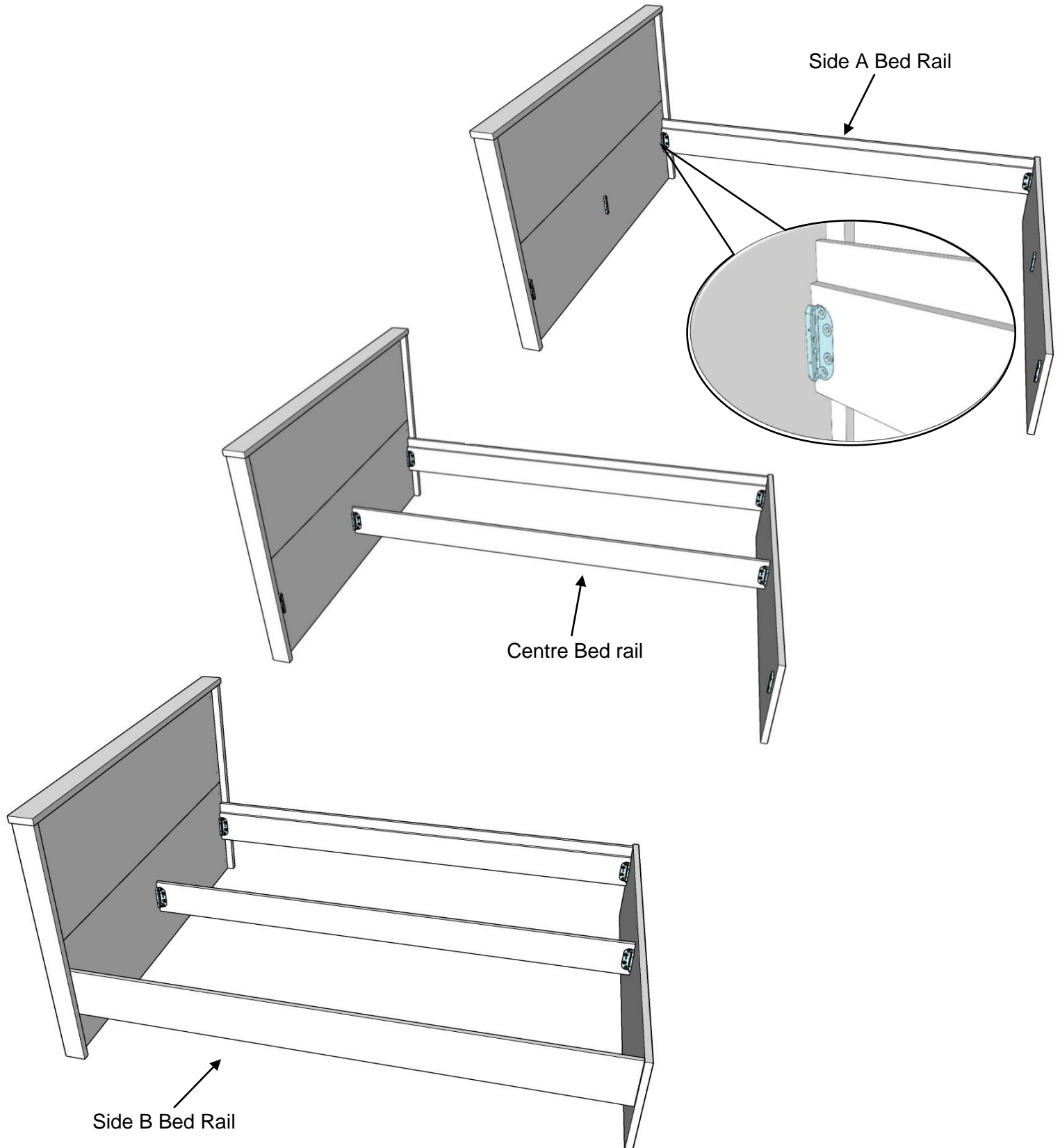
STEP 6: Assemble Headboard

- Bring all the components for the headboard together including the **Top** the **LH and RH Ends** the **Top Panel** and the **Bottom Panel**.
- A. Join the Top and Bottom Panel as show below by inserting the dowels into their appropriate holes.
 - B. Then attach the LH and RH Ends by inserting the connecting bolts into the holes on the side of the Panels then tighten the cams as show in the instruction on page 5.
 - C. Finally place the **Top** onto the **Top Panel** and **Ends** and tighten the cams.



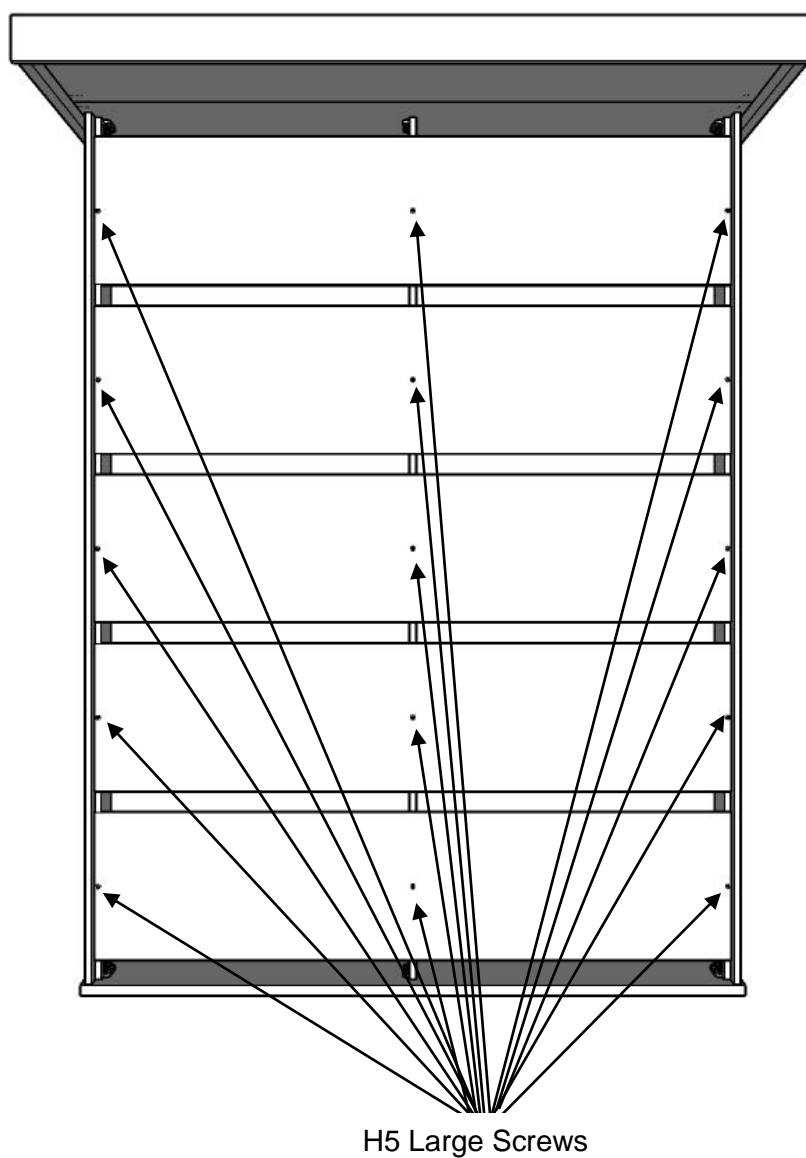
STEP 7: Install Bed Rails

- Attach the bed rails to the headboard and the footboard by hooking the brackets together. **A second person may be needed to assist in this step.**
- First hook the bracket together at the footboard end other end of the rail onto the headboard. Ensure hooks are pushed in tightly.
- Repeat this process for the centre and other side rail.



STEP 8: Install the Slats

- Place the five slats in place and insert the H5 Large screws



**Congratulations, your Waipoua Queen Bed Frame is now complete.
Thank you for supporting New Zealand Made furniture.**



LIVING & CO[®]

WARRANTY

We pride ourselves on producing a range of quality products that are both packed with features and completely reliable.

We are so confident in our products; we back them up with a five-year warranty. Now you too can relax knowing that you are covered.

For parts and assistance, call the manufacturer direct on **0800 100 858** or email **support@compacffurniture.co.nz**. Please do not call the store you purchased the cabinet from as they will be unable to help you.

This product is covered by five-year warranty when accompanied by proof of purchase.



5 YEAR
WARRANTY