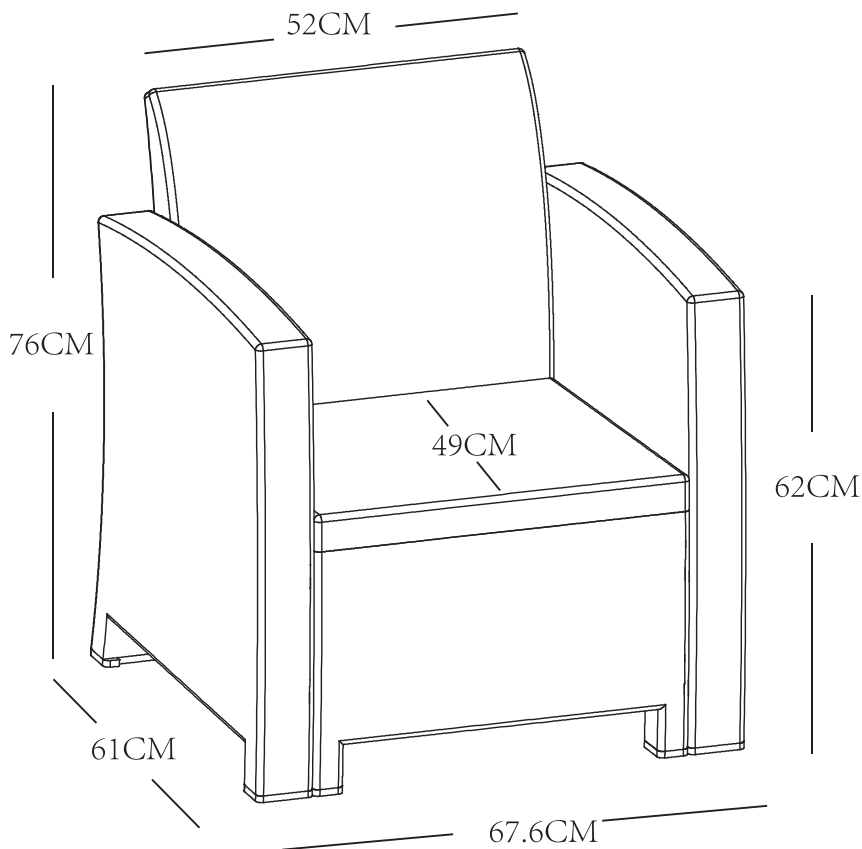


LIVING & CO[®]

RESIN LOUNGE SET 4PC---CHAIR



INSTRUCTION MANUAL

AFTER SALES SUPPORT

 NZ 0800 422 274

Important Safety Instructions

Always place the product on a flat, steady and stable surface

Assembly Details

10 MIN

Approximate Assembly Time



1 Persons of Assembly

FLOOR AREA
2.0M x 2.0M



Required Assembly Space

Tip before you start

1. Please check that all parts are present before you start the assembly of your furniture.
2. For ease and speed of assembly, we recommend that before you commence each step of the assembly, that you identify all the parts required for that step.
3. For larger items, please ensure that you have sufficient space and people (as indicated on page 1) to assemble your product safely.
4. We recommend that, where possible, all items are assembled near to the area in which they will be placed in use, to avoid moving the product unnecessarily once assembled.
5. For the protection of your furniture, we recommend that the product is placed on a protected surface during assembly to prevent any damage.
6. During assembly please take care not to over-tighten any fittings, as this may damage the product. Do not use power tools.
7. Always place the product on a flat, steady and stable surface.
8. Do not stand on the product. Do not use the product as a stepladder.
9. This product is intended household use only as it is a non-industrial product.
10. Please use caution and care when lifting the product to avoid personal injury and/or product damage.

Care and maintenance

PLASTIC (PP) CARE INSTRUCTIONS

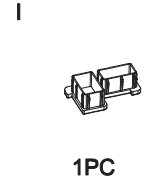
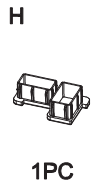
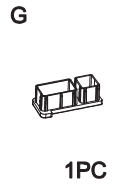
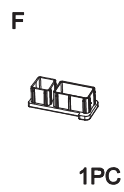
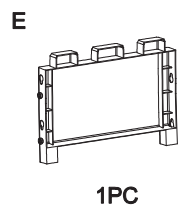
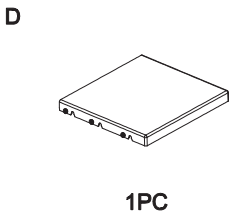
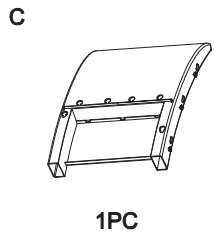
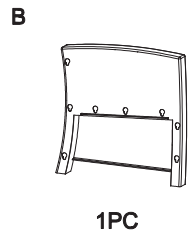
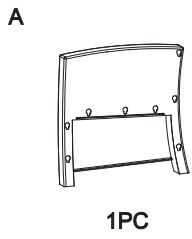
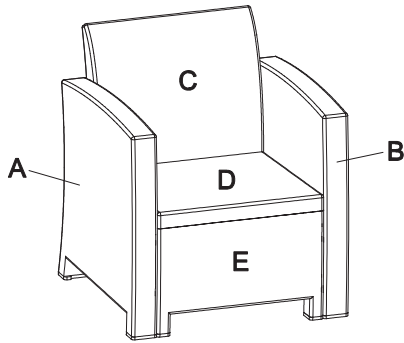
- To keep garden furniture fresh for years, you need to clean and store it well in the off-season.
- Plastic garden furniture is easy to maintain and clean, not afraid of moisture and mold, but she doesn't like direct sunlight, heat or cold. In order to remove dust and dirt, furniture needs to be washed with warm water and soap or detergent, and then washed with paper towels or rags.
- Avoid using abrasive chemicals, offensive detergents, abrasive tissues and sponges. Plastic becomes brittle at low temperatures, so its use is not recommended.

CUSHION CARE INSTRUCTIONS

- Our cushions contain a UV treatment to protect them against deterioration. Some fading will occur over time.
- To clean cushions wash with mild soapy water and rinse thoroughly with fresh water
- To avoid stains, remove spills promptly.
- Do not use solvent type cleaners.
- Do not machine wash, dryclean or tumble dry.
- Never store cushions when wet.
- We recommend that all cushions are stored inside to extend their life.

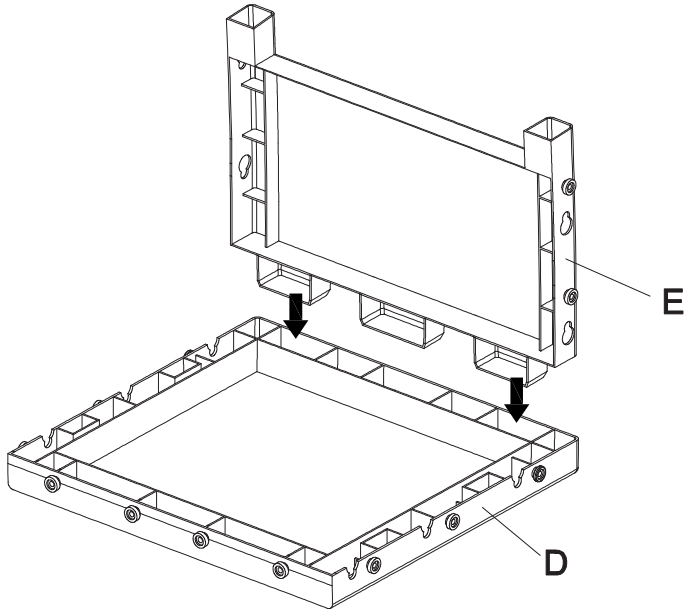
We recommend storing furniture under cover, out of direct sunlight and using furniture covers when not in use and for protection during the winter months.

Part name

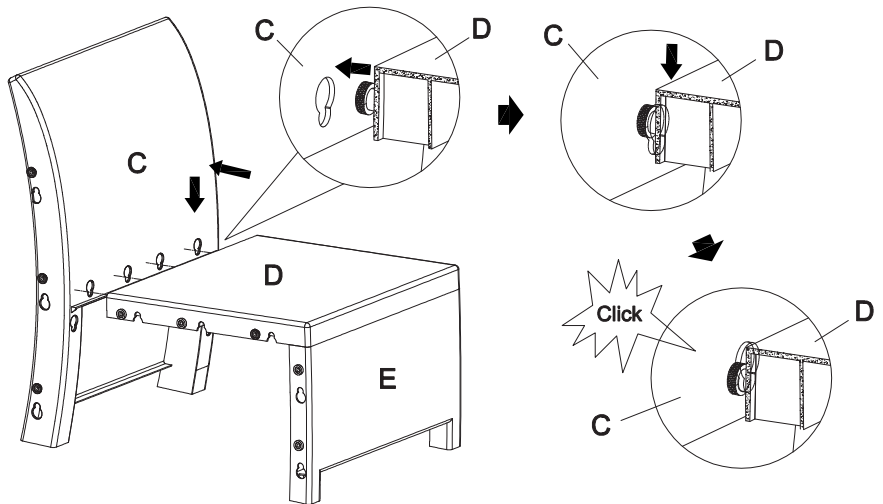


Assembly

Step 1

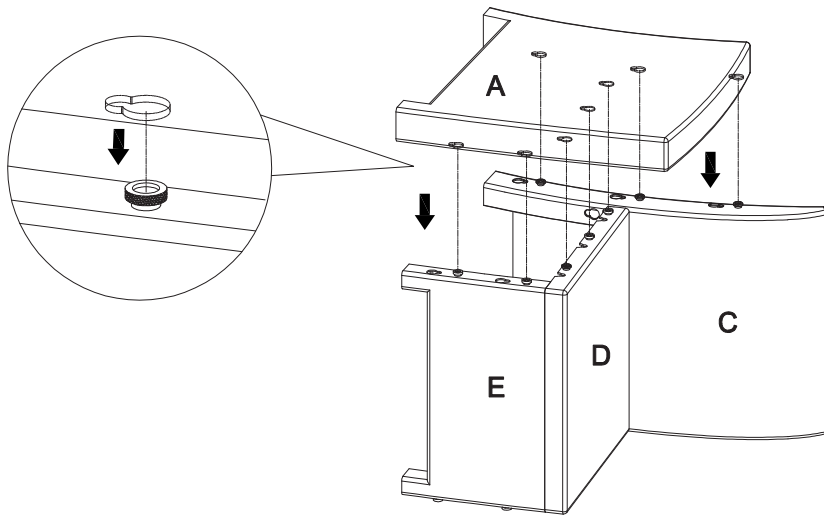


Step 2

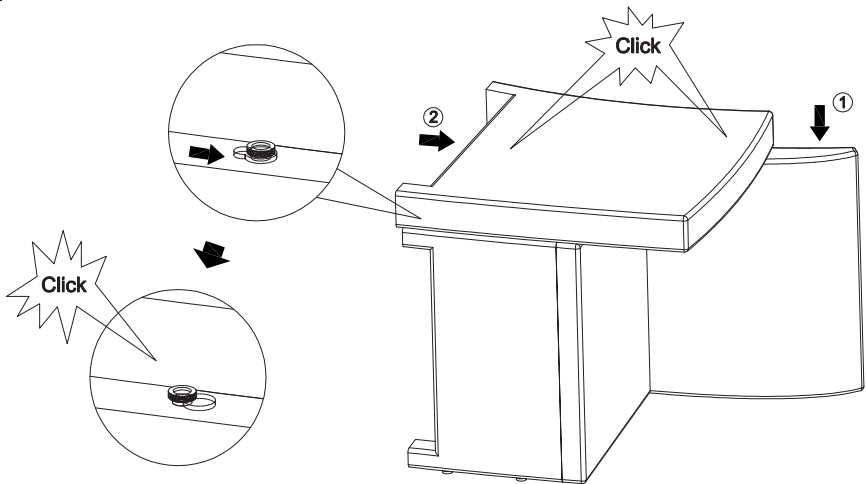


Assembly

Step 3

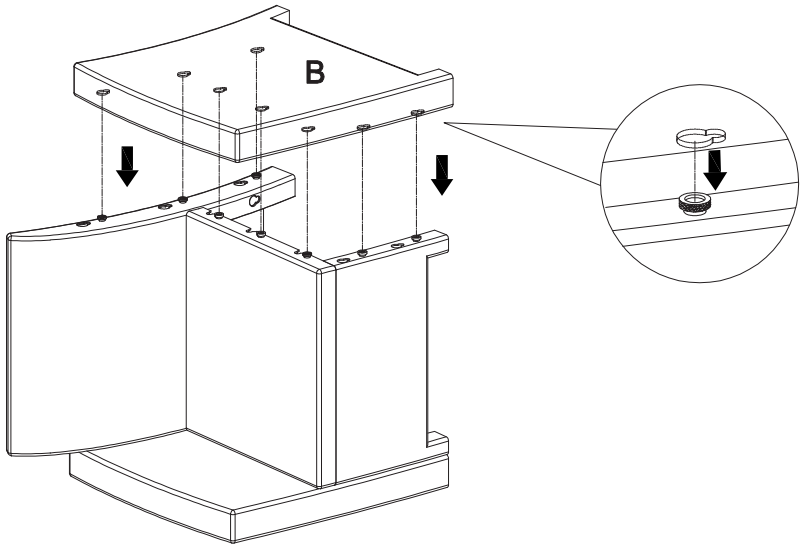


Step 4

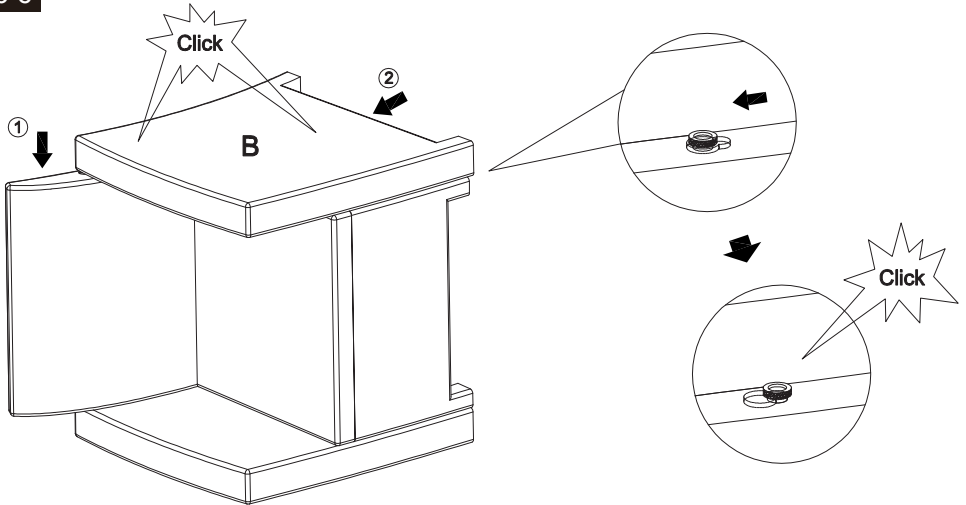


Assembly

Step 5

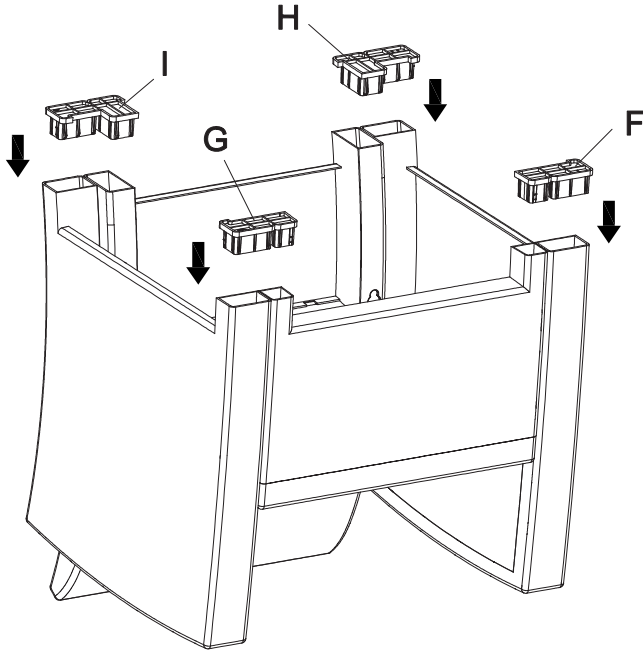


Step 6

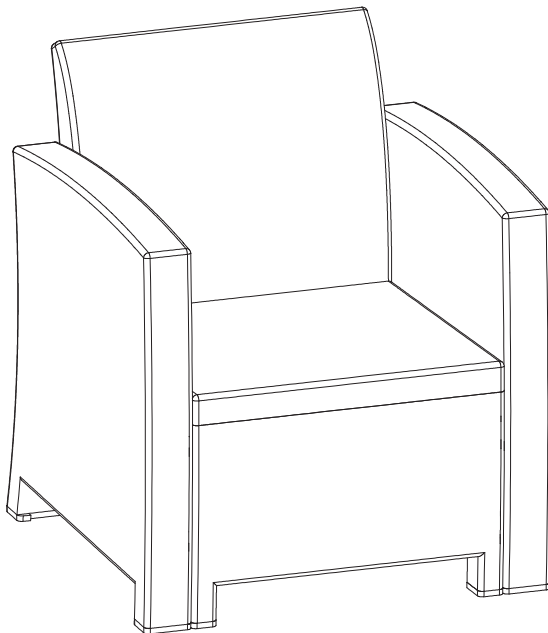


Assembly

Step 7



Step 8





LIVING & CO[®]

Warranty

We pride ourselves on producing a range of quality products that are both packed with features and completely reliable. We are so confident in our products, we back them up with one year warranty.

Now you too can relax knowing that you are covered.

Customer Helpline NZ: 0800 422 274

This product is covered by one year warranty when accompanied by proof of purchase.

AFTER SALES SUPPORT

  0800 422 274