

WHISTLER 6 DRAWER LOWBOY

90 MIN

APPROXIMATE ASSEMBLY TIME

2 PERSONS ASSEMBLY

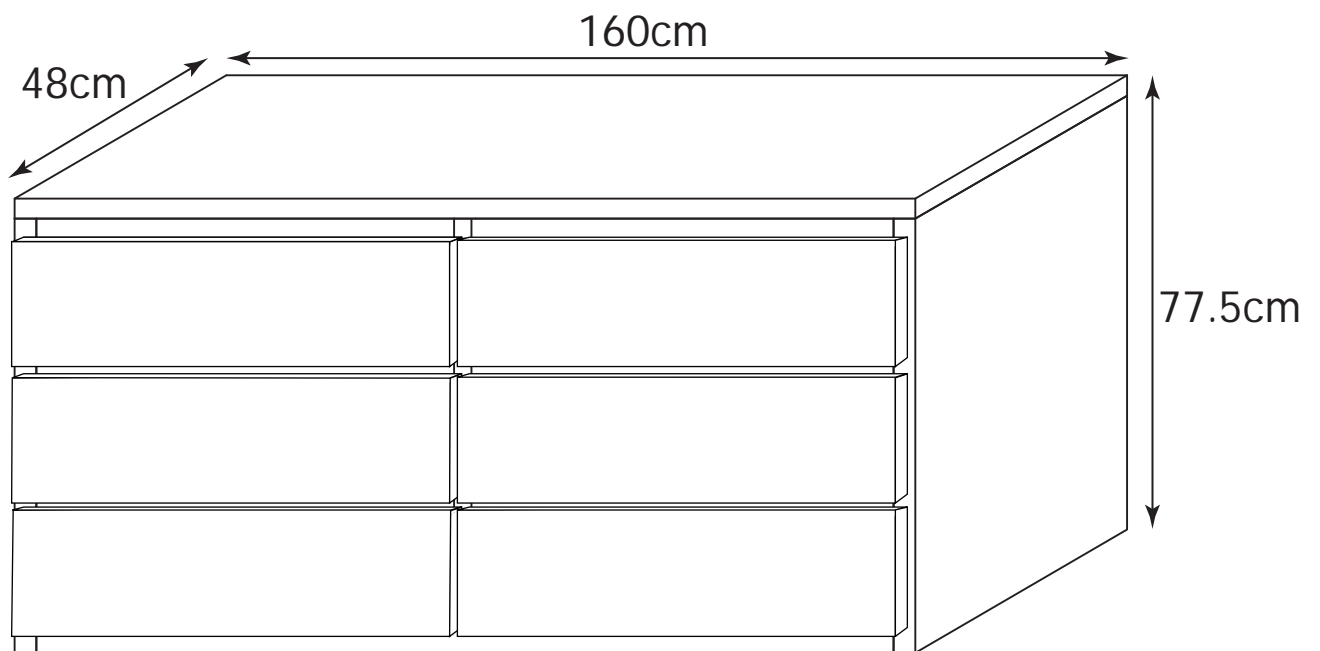


FLOORAREA
2.0M x 2.0M



REQUIRED ASSEMBLY SPACE

ASSEMBLED DIMENSIONS



MAXIMUM RECOMMENDED LOAD 20KGS ACROSS THE TOP,
5 KGS PER DRAWER

WHISTLER 6 DRAWER LOWBOY

Tips before you start:

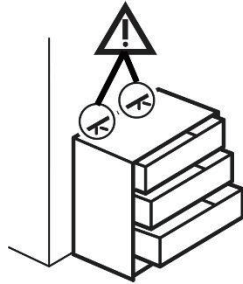
1. Please check that all parts are present before you start the assembly of your furniture.
2. For ease and speed of assembly, we recommend that before you commence each step of the assembly, that you identify all the parts required for that step.
3. For larger items, please ensure that you have sufficient space and people (as indicated on page 1) to assemble your product safely.
4. We recommend that, where possible, all items are assembled near to the area in which they will be placed in use, to avoid moving the product unnecessarily once assembled.
5. For the protection of your furniture, we recommend that the product is placed on a protected surface during assembly to prevent any damage.
6. During assembly please take care not to over-tighten any fittings, as this may damage the product.
7. Always place the product on a flat, steady and stable surface.
8. Do not stand on the product. Do not use the product as a stepladder.
9. This product is intended for indoor, household use only as it is non industrial product.
10. Please put the accessories into installation holes before you screw up any of them.

Care and Maintenance of your Furniture

- ☒ Please periodically check all fittings and re-tighten as necessary.
- ☒ To clean your item, please use a damp cloth and wipe clean.
- ☒ Never allow any kind of liquid to remain on your furniture. Absorption can cause wood to warp or finishes to de-laminate.
- ☒ Please do not place hot items (eg. Hot drinks) directly on to the surface.
- ☒ Please do not drag and pull your furniture.

WHISTLER 6 DRAWER LOWBOY

Assembly instruction and online warning.



Serious or fatal crushing injuries can occur from furniture tip-over. Use of tip-over restraints may only reduce but not eliminate the risk of tip-over. To help prevent tip-over:

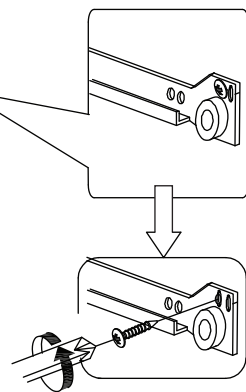
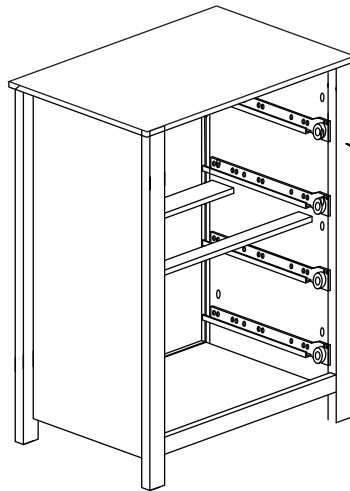
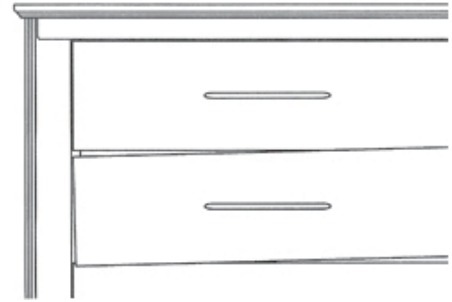
- Place heaviest items in the bottom drawers.
- Unless specifically designed to accommodate, do not set TVs or other heavy objects on top of this product.
- Never allow children to climb or hang on drawers, doors or shelves.
- Never open more than one drawer at a time.

Misaligned Drawers

Over time the rails from the drawers can become loose and drawer parts can become misaligned.

Your dresser drawer, for example, might become very difficult to open and close. It happens. Restoring misaligned drawers to like-new performance is well within your abilities.

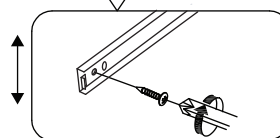
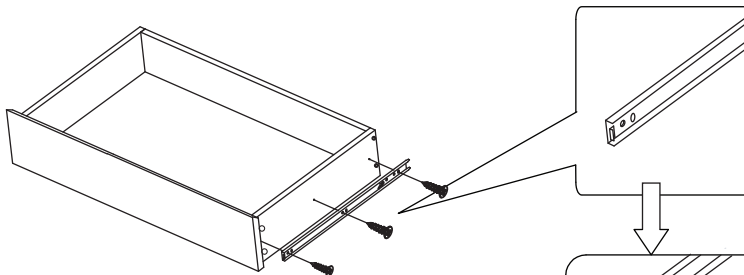
The following are detailed instructions to easily fix misaligned drawers with side mounted guides that don't open or shut properly.



Loosen the guide screw and adjust to make the drawer level.

Tighten before reinstalling the drawer

or

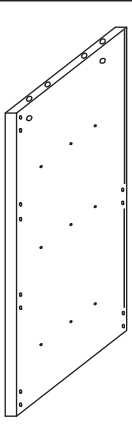
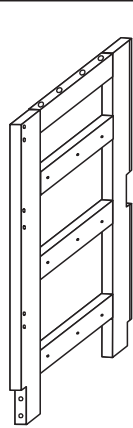
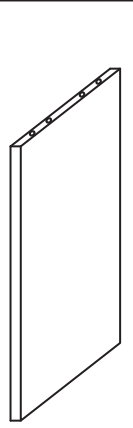
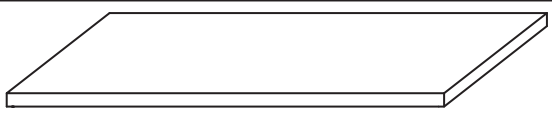
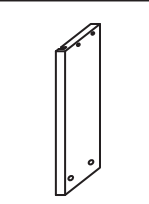
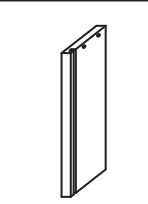
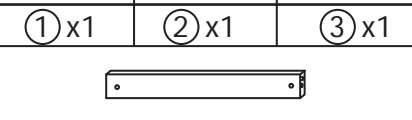
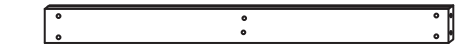
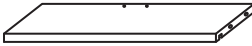

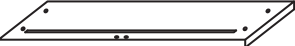
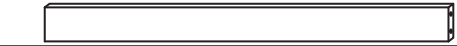
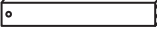





Loosen the guide screw and adjust to make the drawer level.













Tighten before reinstalling the drawer

WHISTLER 6 DRAWER LOWBOY

HARDWARE LIST

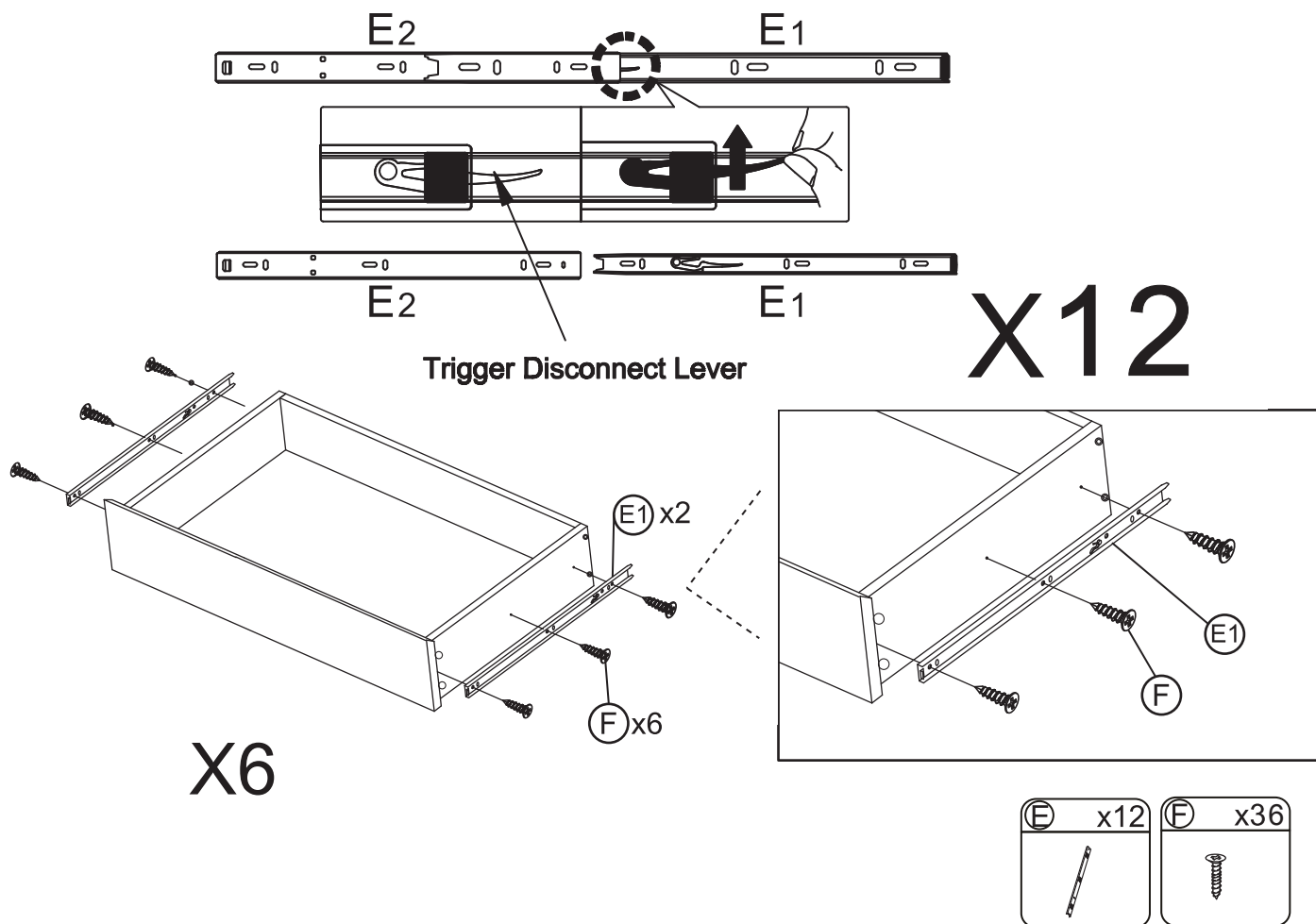
					
① x1	② x1	③ x1	⑤ x1	⑧ x6	⑨ x6
					
④ x6			⑥ x1	⑩ x6	
					
			⑦ x1	⑪ x6	
					
			⑭ x1	⑫ x6	⑬ x6
					
			⑮ x2		
					
			⑯ x2		

PARTS LIST

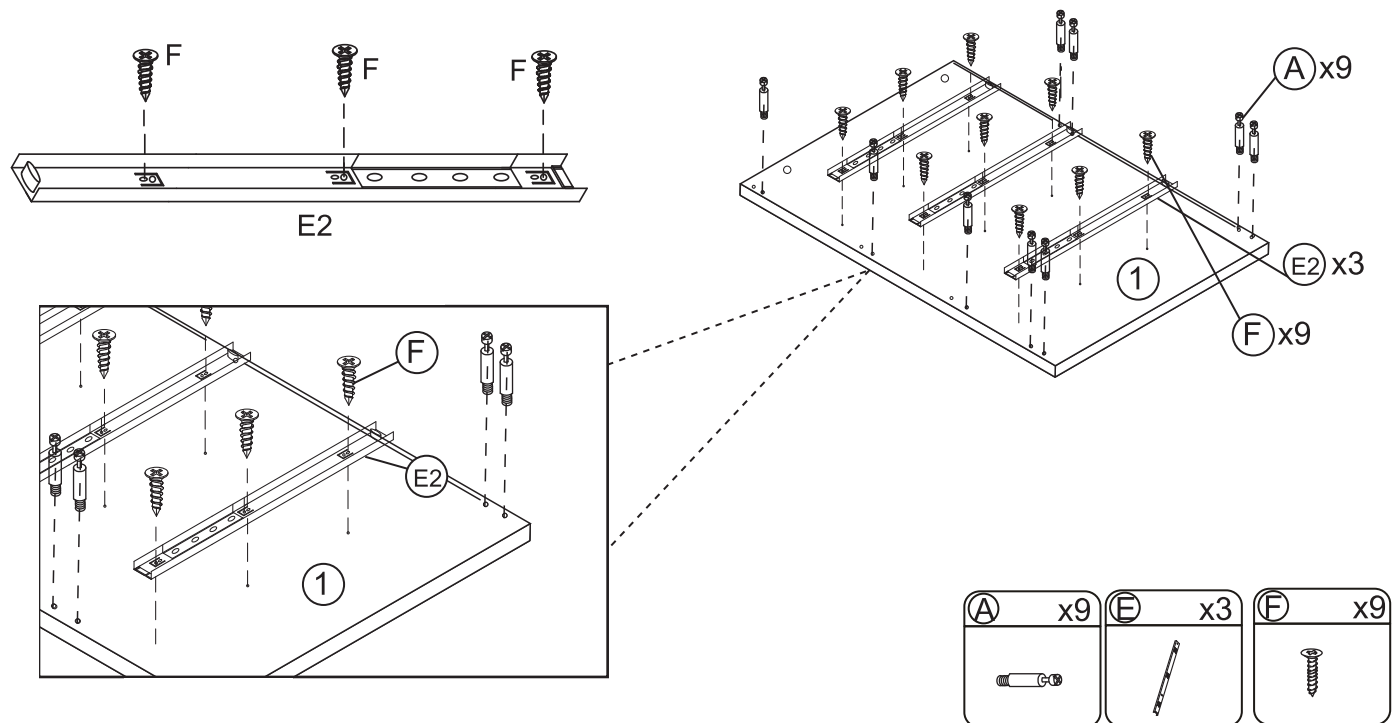
						
M6x35	M15x10	M5.8x30	M4x40		M3x12	
Ax60	Bx60	Cx18	Dx38	Ex12	Fx72	Gx8
						
	M3x16				M4x35	
	Hx8	Ix2	Jx2	Kx2	Lx6	

WHISTLER 6 DRAWER LOWBOY

STEP 2

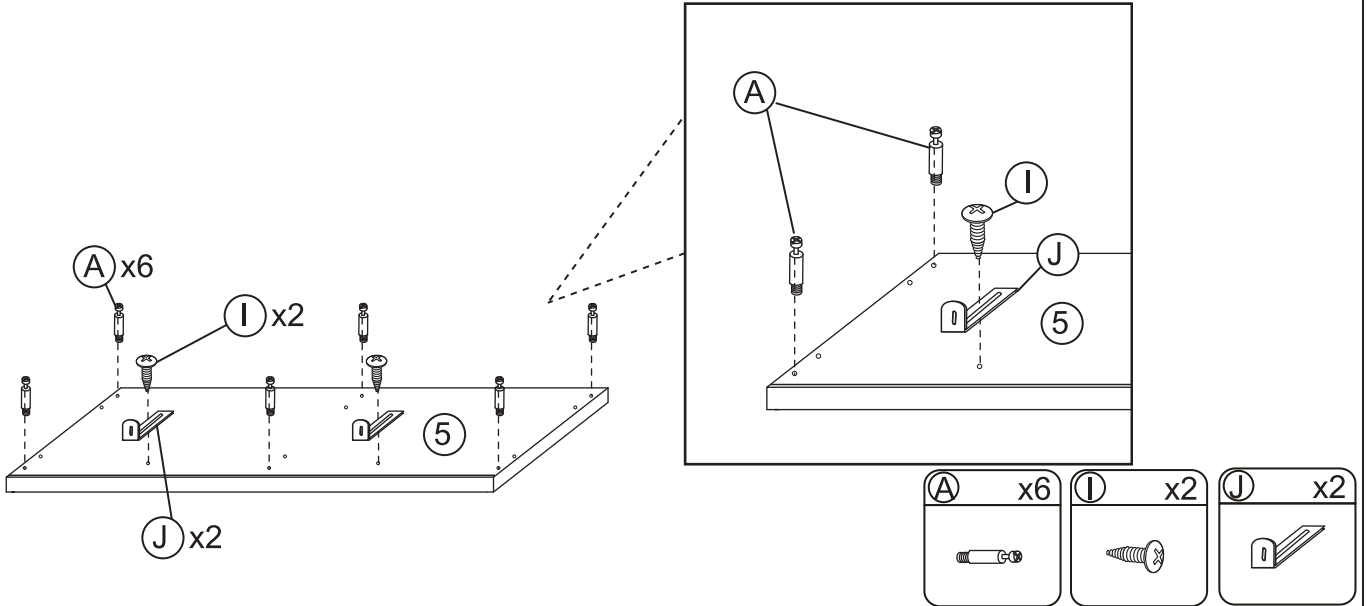


STEP 3

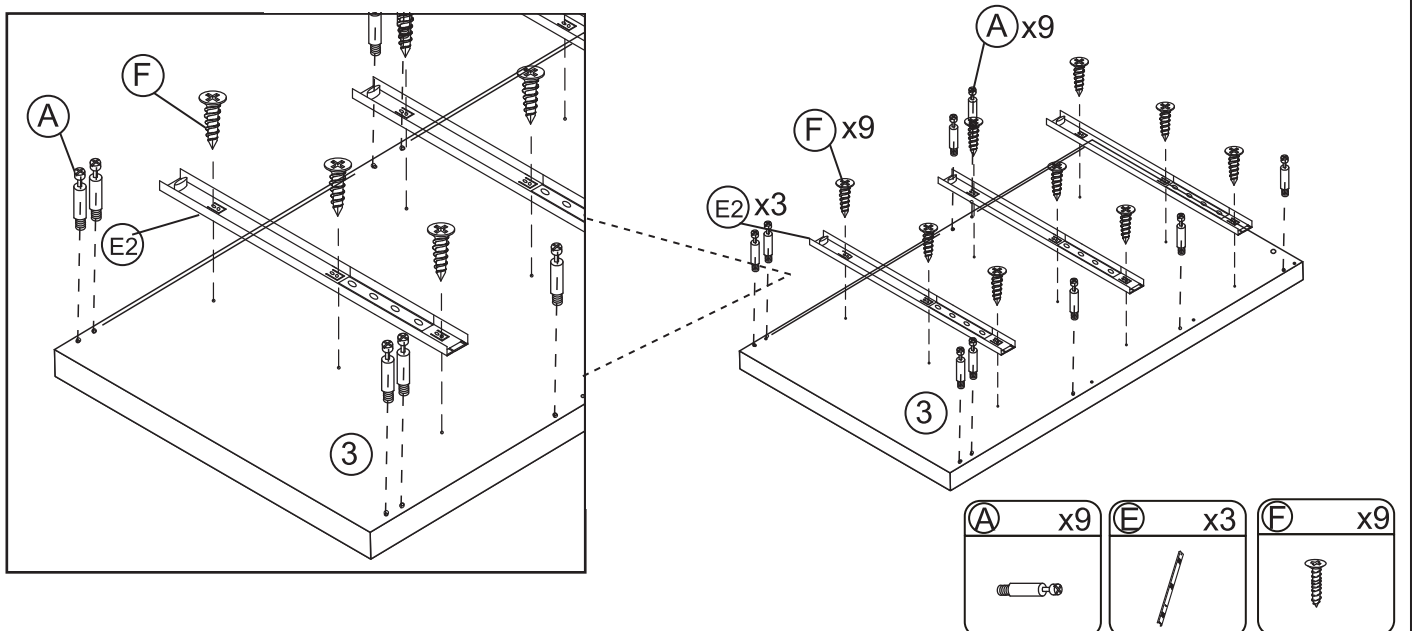


WHISTLER 6 DRAWER LOWBOY

STEP 4

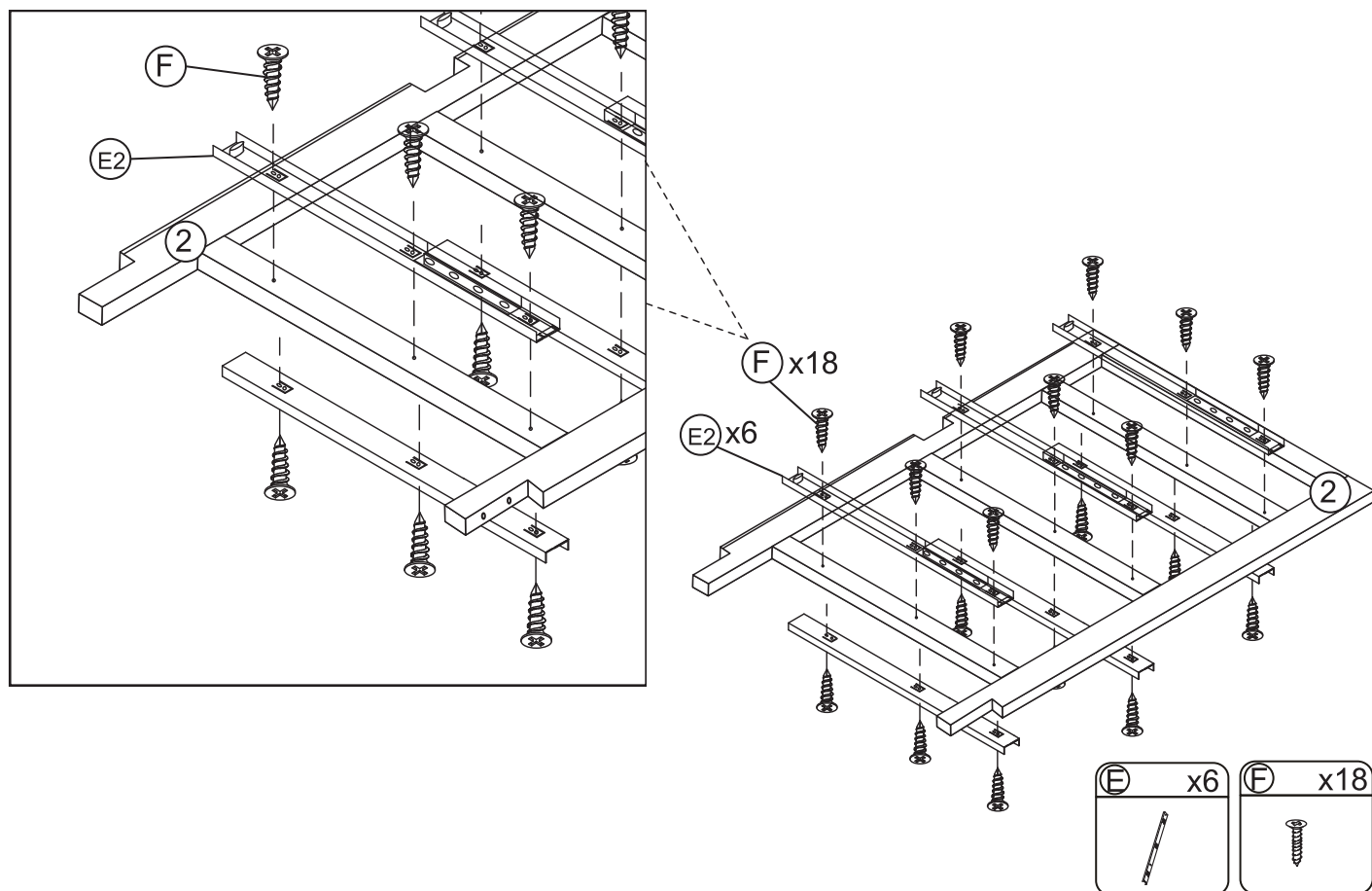


STEP 5

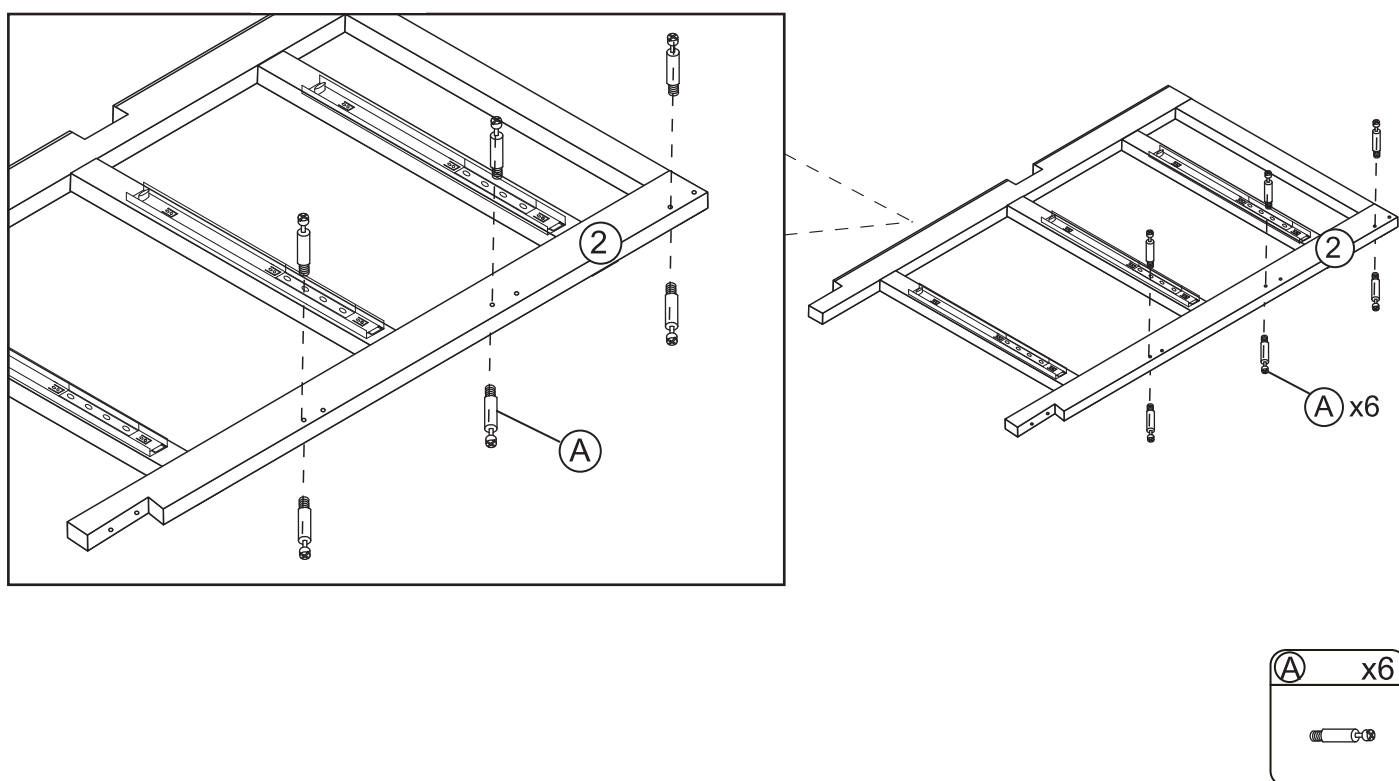


WHISTLER 6 DRAWER LOWBOY

STEP 6

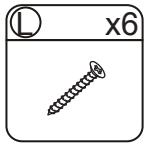
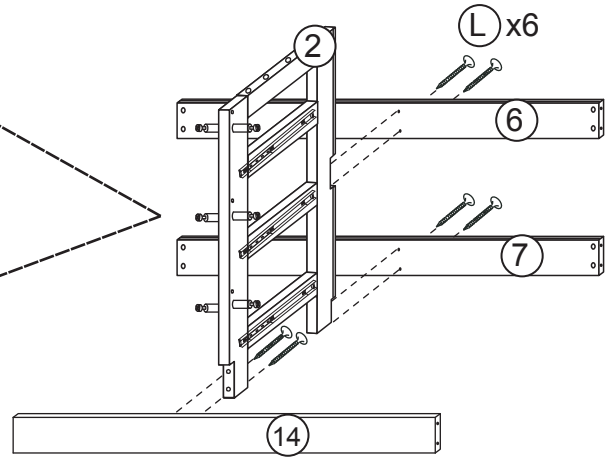
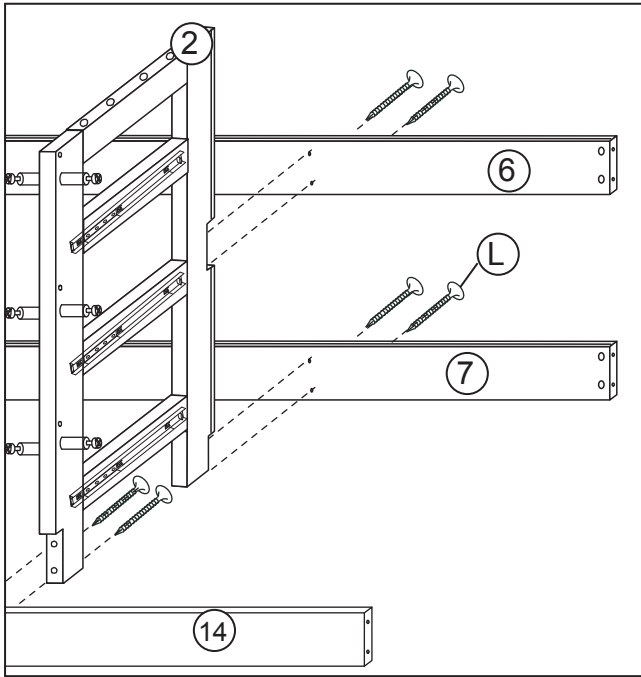


STEP 7

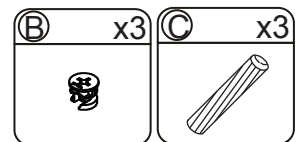
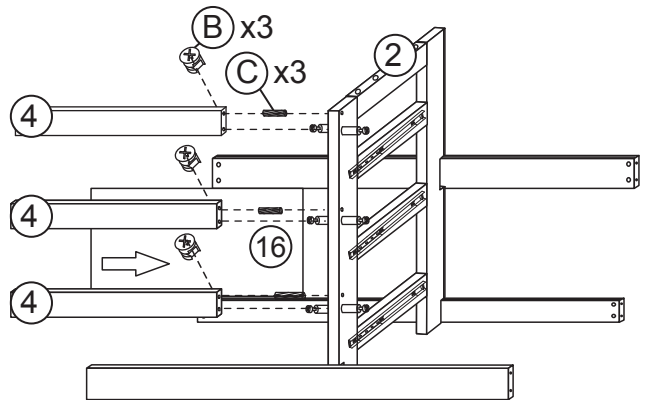
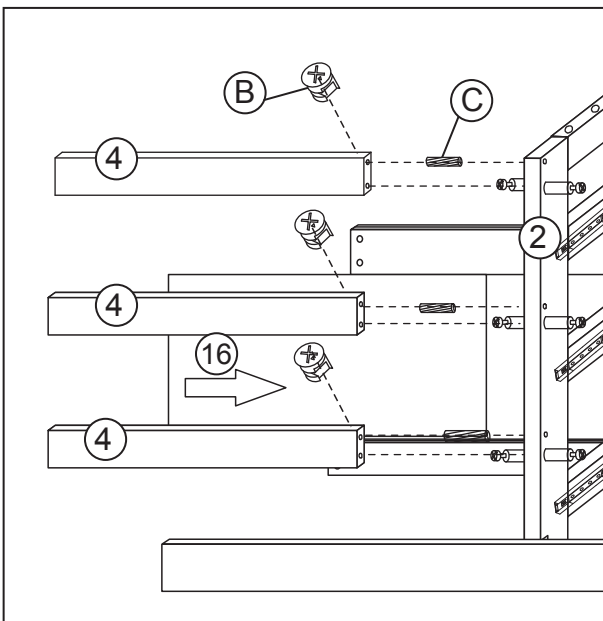


WHISTLER 6 DRAWER LOWBOY

STEP 8

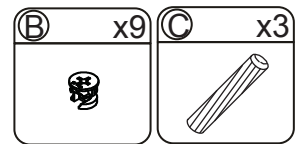
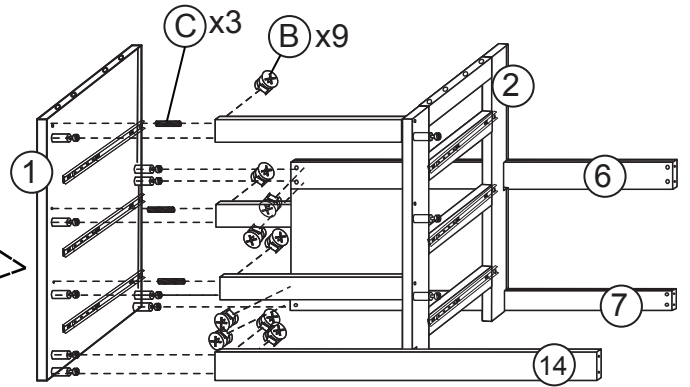
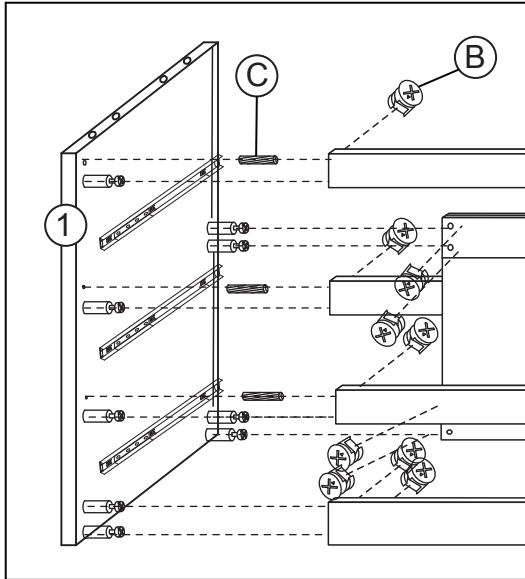


STEP 9

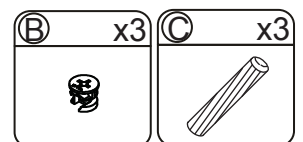
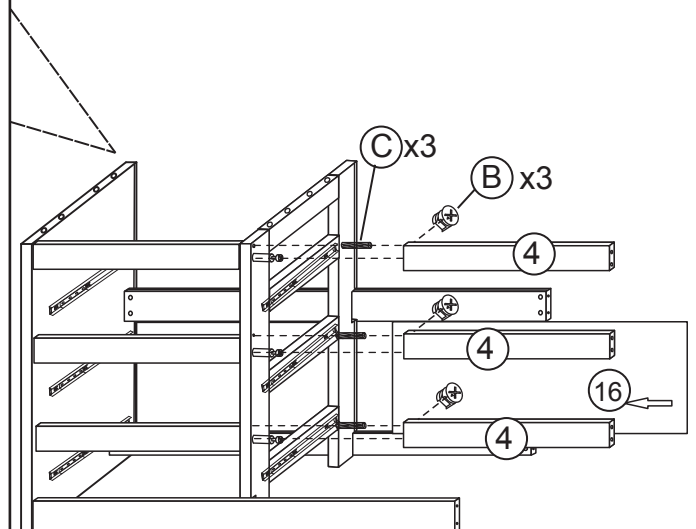
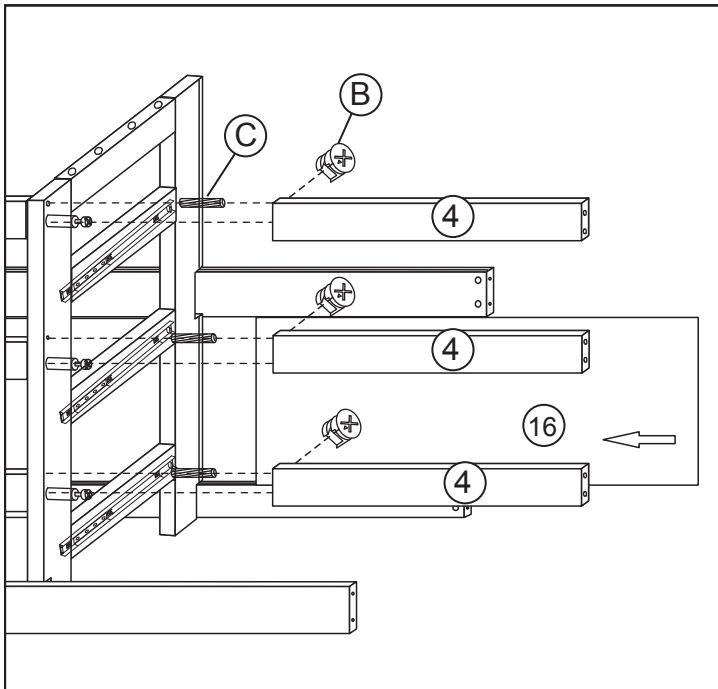


WHISTLER 6 DRAWER LOWBOY

STEP 10

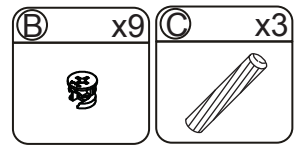
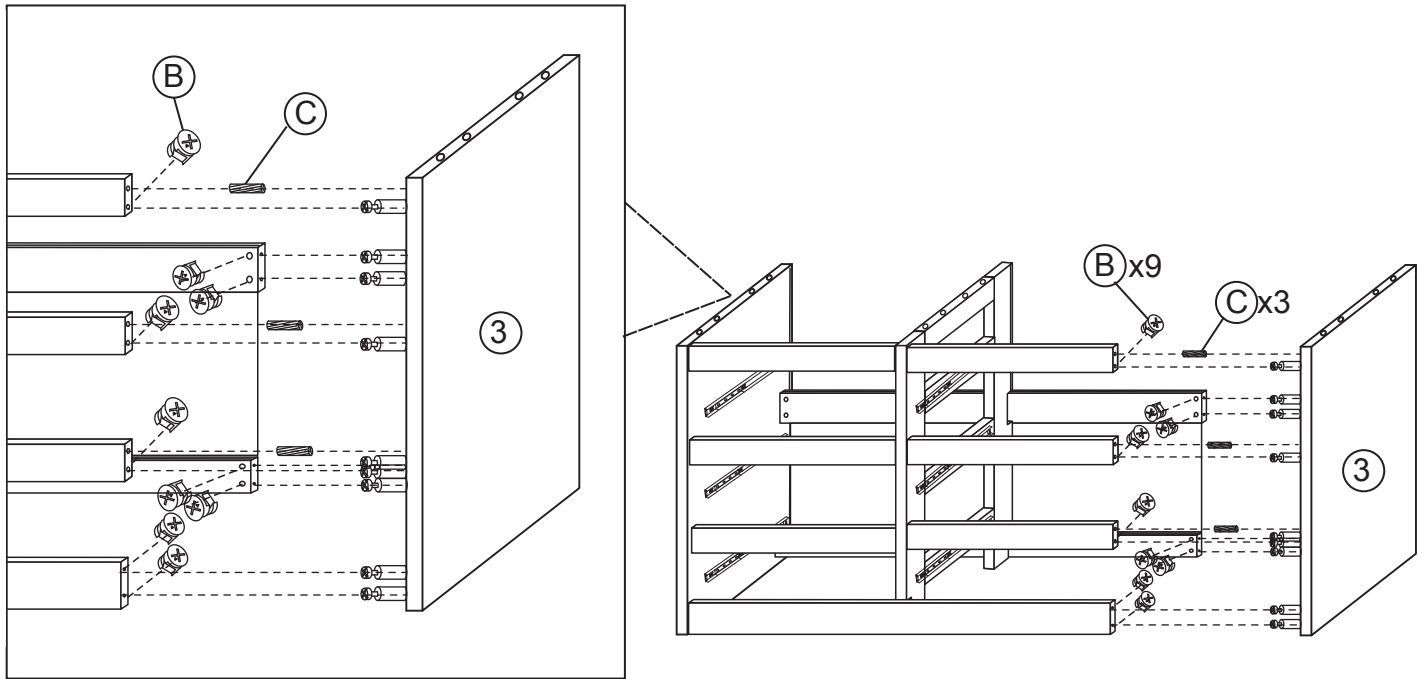


STEP 11

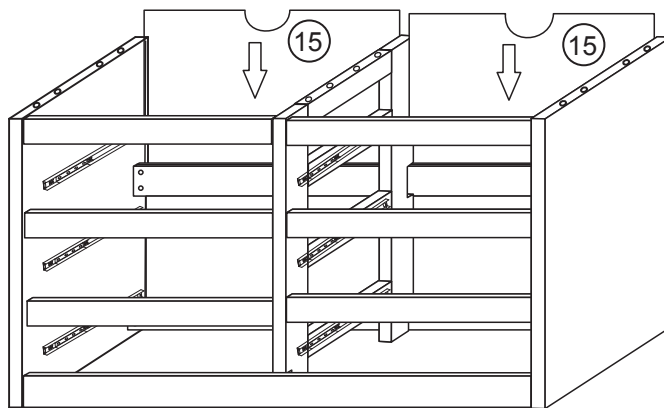


WHISTLER 6 DRAWER LOWBOY

STEP 12

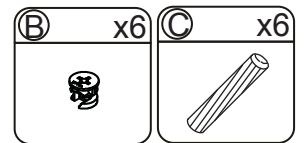
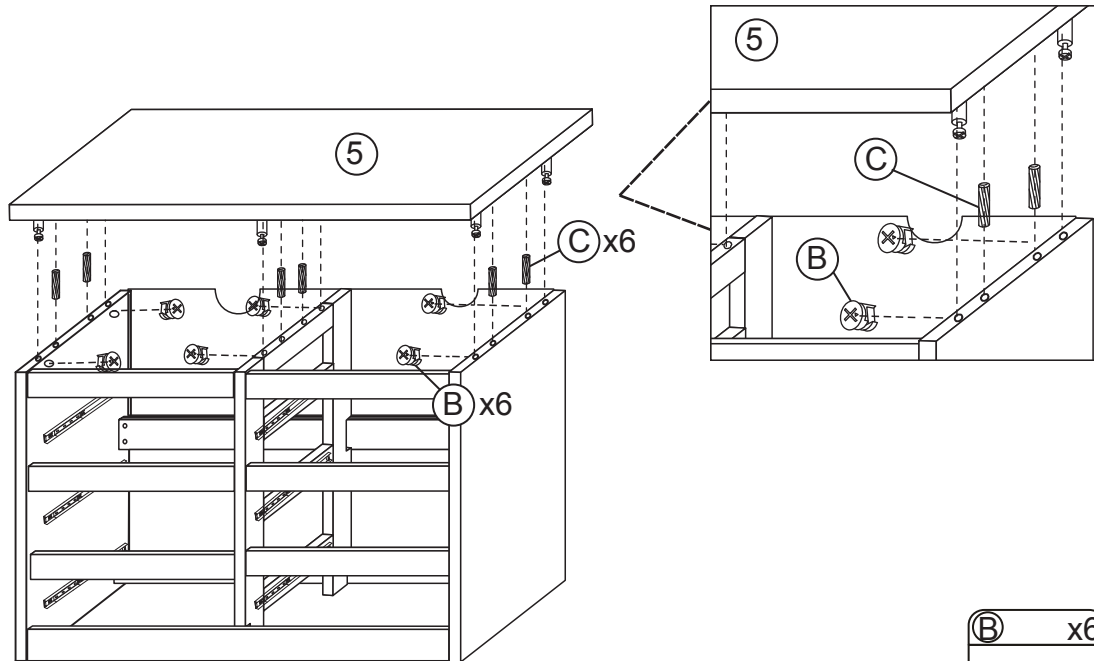


STEP 13

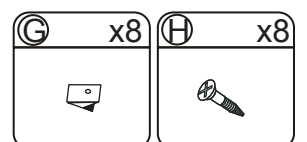
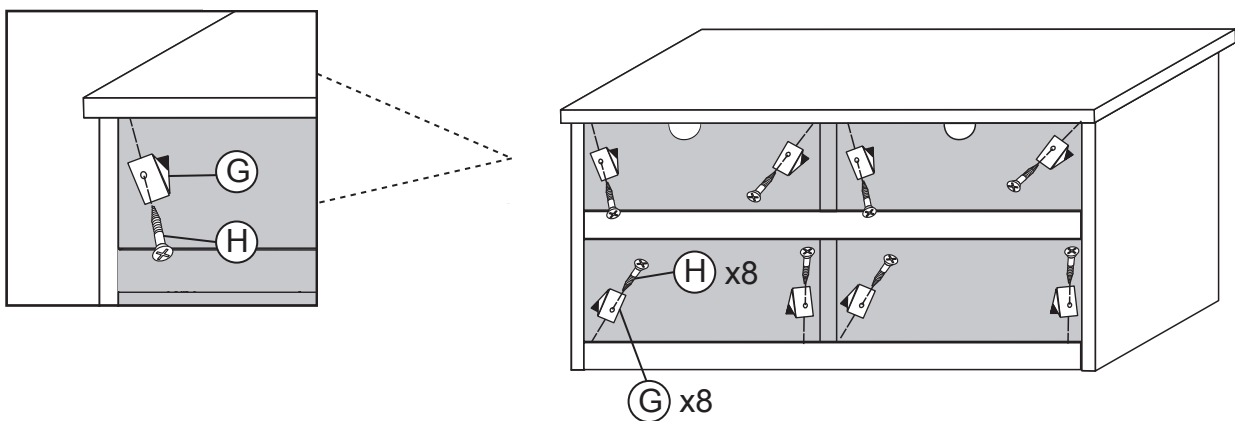


WHISTLER 6 DRAWER LOWBOY

STEP 14

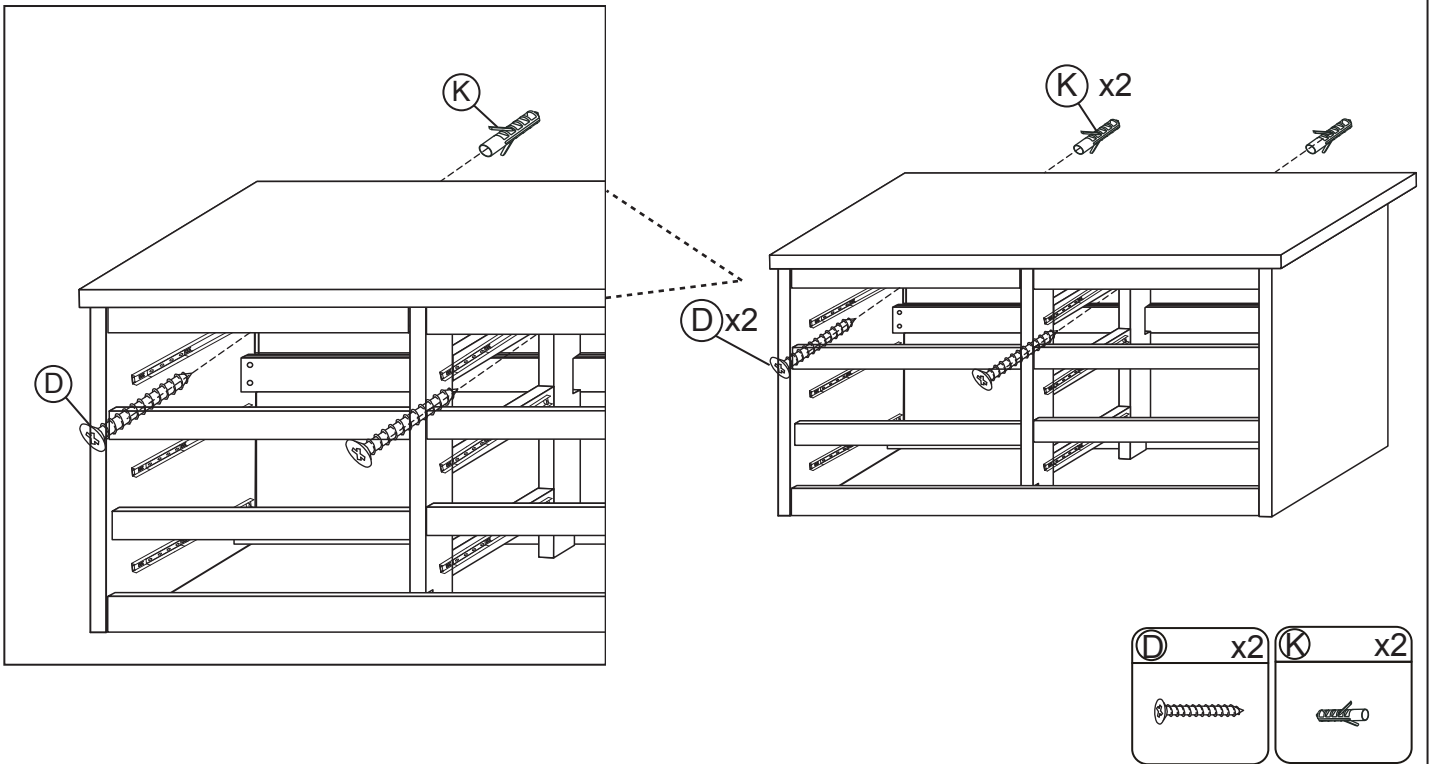


STEP 15

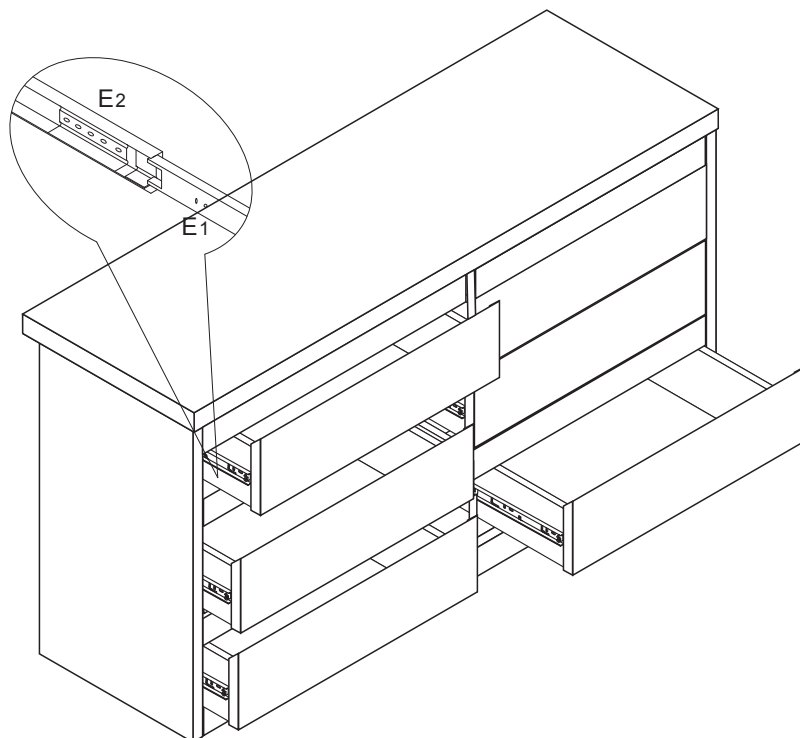


WHISTLER 6 DRAWER LOWBOY

STEP 16



STEP 17



WHISTLER 6 DRAWER LOWBOY

STEP 18

