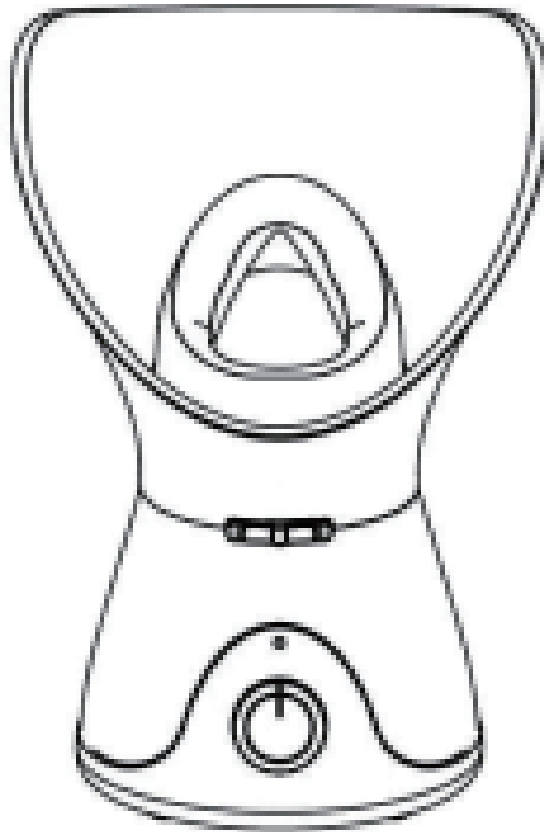


poppi

Facial Steamer



Instruction Manual

Model no.: SA94038

Before operating this Facial Steamer, please read these instructions completely and save this manual for future use.

AFTER SALES SUPPORT

  0800 422 274

IMPORTANT SAFETY INSTRUCTIONS

Read this user manual carefully before first use and save it for future reference.

- This appliance is not intended for use by persons (including children) with reduced physical, sensory or mental capabilities or lack of experience and knowledge, unless they have been given supervision or instructions concerning use of the appliance by a person responsible for their safety.
- Children should be supervised to ensure that they do not play with the appliance.
- The product generates heated steam. Persons insensitive to heat must be careful when using this product. If unsure DO NOT USE.
- Unsupervised use of steamer by children or incapacitated persons may be dangerous.
- This product is not intended for medical use.
- This appliance must not be used by persons insensitive to heat and other very vulnerable persons who are unable to react to overheating.
- Prolonged application can result in skin burns. Always follow instructions in this manual.
- If you have any concerns regarding your health, consult your doctor before using this appliance.
- Individuals with pacemakers should consult a physician before using this product.

IMPORTANT! In case of pregnancy, diabetes, or illness, consult your doctor before using this product.

- Cleaning and user maintenance shall not be made by children without adult supervision.
- This product has been designed for domestic use only. In case of any commercial use, inappropriate use or failure to comply with the instructions, the manufacturer is not responsible, and the product guarantee will not apply.
- Before connecting your appliance, check if the mains voltage is the same as the voltage indicated on your appliance and that the power outlet has an earth connection. If unsure check with an electrician.

- Ensure before each use that the supply cord or any other parts are not damaged.
- Keep the steamer and its cord out of reach of children when connected to mains power or cooling down.
- **DO NOT use the steamer if it has been dropped, if there are visible signs of damage, malfunction or if it is leaking water.**
- Always make sure the appliance is switched off, unplugged and cooled down before cleaning.

IMPORTANT! This steamer must not be left unattended while it is connected to mains power and before it has completely cooled down.

CAUTION: During use, the product contains boiling water. To avoid the risk of burns, extreme care must be taken to ensure the product is not overturned.

- Do not unplug the appliance by pulling on the cord or on the appliance. Always pull on the cord plug.
- Never immerse the steamer, the power cord or the cord plug in water. Never hold the steamer under a water tap.
- Do not add hot water or other corrosive cleaning agents into the water tank, doing so may damage the appliance. Use Demineralized or distilled water is strongly recommended.
- To avoid damage to the power cord, do not allow the supply cord to come in contact with the stem nozzle when the steamer is hot.
- If the supply cord is damaged, it must be replaced by qualified electrical person in order to avoid a hazard or the product must be disposed of.
- The steamer must be used on a flat, stable surface.
- When the steamer is used in a bathroom, unplug it after use. Using the product near water presents an electric shock hazard even when the appliance is switched off.

CAUTION! Take care to avoid contact between the hot surfaces of the appliance and skin, paying particular attention to the face, neck and hands.

CAUTION! Never place your face too close to the facial steamer in one position, as this could cause scalding.

- **IMPORTANT! to avoid damage to the appliance do not operate the appliance when it runs out of water.**
- Take care when emptying the facial steamer as hot water may still remain in the reservoir. Ensure the appliance has cooled down and is switched off before emptying or moving the appliance.
- Before storage, wait till the appliance cools down completely and wind the power cord.
- Only use accessories provided by the manufacturer. The use of any accessory or attachment other than those provided by the manufacturer may result in fire, electric shock or irreversible damage to the appliance.
- **IMPORTANT! Unplug the appliance from mains power when filling with water and cleaning.**
- **The facial steamer should be cleaned after each use, to avoid the accumulation of grease and other residues.**
- For cleaning and descaling of the appliance, refer to “Cleaning and maintenance” section below.
- For additional protection, the installation of a residual current device (RCD) having a rated residual operating current not exceeding 30mA is advisable in the electrical circuit supplying the bathroom. Ask your installer for advice.



WARNING: Do not use this appliance near bathtubs, showers, basins or other vessels containing water.



Class II Appliance

The facial steamer is for household use only.

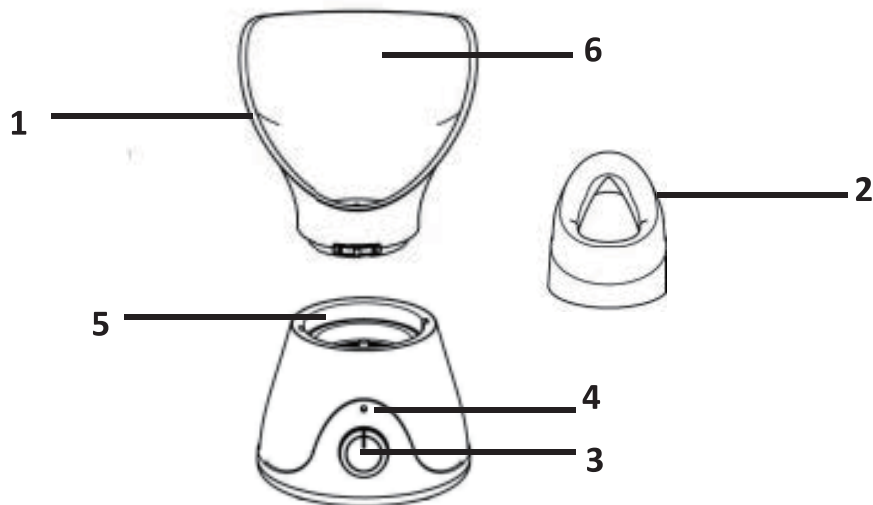


CAUTION

Steam is emitted! Contains Hot water in use!
Read User Manual before using. Keep away from children. To avoid risk of burns, care must be taken to avoid overturning the device.

SAVE THESE INSTRUCTIONS FOR HOUSEHOLD USE ONLY

PRODUCT OVERVIEW



1.	Face Mask	4.	Power on indicator
2.	Nasal adaptor	5.	Water reservoir
3.	Off / Level 1 / Level 2 Control Dial	6.	Steam outlet

Function Level I : Gentle Steam output

Function Level II : Full Steam output

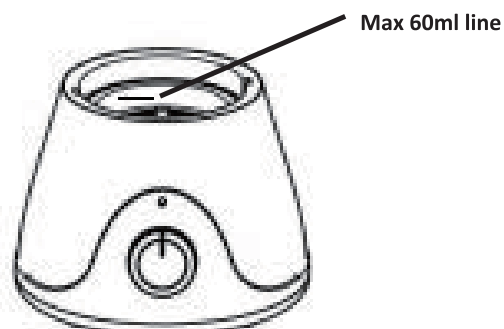
Facial steamer function: The Gentle, deep cleansing warm steam mist opens pores, draws out impurities and lets your skin breathe. The moisture can add a boost of hydration to support a refreshed, healthy looking complexion. The Nasal Adapter is designed to support easy breathing.

FILLING THE WATER RESERVOIR



To prevent scale build-up always empty the water reservoir after use. Rinse the water reservoir surface to remove any deposits.

- Ensure that the steamer is cold and not connected to mains power.
- Ensure the nasal adaptor and face mask are detached from the base unit.
- Fill the water reservoir to the maximum mark, no greater than the rated capacity of 60ml.



NOTE:

To avoid calcium deposits, we recommend you use distilled water for your facial steamer.

USING THE FACIAL STEAMER

1. Ensure the appliance is in the 'O' off position and unplugged from the power outlet when preparing the facial sauna for use.
 2. Place the facial sauna on a hard, dry and level flat surface, such as a table or bench top.
 3. Remove the face mask from the base of the facial sauna by holding the base with one hand and the mask with the other. Then, twist the mask to the left until you hear it click, then lift the mask up and away from the base. Place mask aside.
 4. Using the water cylinder, fill the water reservoir with cool or warm water (60ml Max). If desired, you can also add a few drops of essential oils.
 5. Place the mask back onto the base of the facial sauna by aligning the plastic lugs on the outside of the mask with the base. Push the mask down and twist to the right until it clicks back into place.
 5. Plug the appliance into a suitable power outlet and switch the appliance on to the 'I' or "II" position. The green indicator light will illuminate to indicate that the facial sauna is heating up.
 6. Allow approximately 3-4 minutes for the warm steam mist to develop, and then position your face 10 - 20cm away from the rim of the mask. Close your eyes and relax as the soothing mist begins its' deep cleansing action. For full benefits of the steam mist on your neck and throat, tilt your head backward so your throat is approximately 2cm from the mask. Mist your throat for 2 minutes and then gently turn your neck slowly from side to side to feel the full benefits of the warm, deep cleansing steam mist.
 - 7. CAUTION: Never pick up the appliance while it is switched on, or while water remains in the reservoir.**
 8. The steamer allows continuous steaming for approximately 14 minutes on high (II) and 25 minutes on low (I) with a full reservoir. The recommended facial cleaning time is 10 - 20 minutes.
- NOTE 1: If the facial steamer should run out of water, switch the appliance off immediately, then re-fill with water and continue your facial.
- NOTE 2: If more concentrated steam is desired, place a towel over your head a towel over your head so that it covers the mask and side of the facial sauna.
9. Remove your face occasionally and blot with a cool, damp towel. Immediately after steaming, rinse your face with cool water.
 10. Alternatively, the Nasal Adaptor can be fitted to the inside of the mask to concentrate steam. Place your nose and mouth close to the nasal adapter, not in direct contact but approximately 5 - 10cm above. Breathe in through your nose and exhale through your mouth, or take gentle breaths through both, to inhale the warm, moist vapor.
 11. When complete, switch of the unit and unplug from the mains supply.
 12. After completion of steam treatment, take care of your skin by moisturising with lotion, performing cleaning, etc.

- When water level is low, the way of steam emitting will change. This is normal. If there is no water in the water reservoir, no steam will emit from the steam outlet.
- Turn OFF the steamer when you find there is no water. Allow the appliance to cool down for at least 10 minutes before filling it with water and restarting the unit.
- When there is no water, the facial steamer will turn OFF automatically. Even if you add water immediately, the appliance will not turn ON, unless it had cooled down sufficiently.

CLEANING AND MAINTENANCE



- Unplug the steamer from mains power and allow it to cool down completely before cleaning and storing.
- Ensure the water reservoir is empty and all parts have been dried with a towel.

Cleaning

Clean the main unit with a damp cloth. If necessary, use a mild detergent.

Drain the water of water reservoir each time after use.

Do not use alcohol, acetone, benzene, scouring cleaning agents, etc., to clean the steamer. Do not use hard brushes or metallic objects.

Remove any deposits on the steam nozzle with a damp cloth. To avoid scratching the finishing, never use a metallic pad to clean the nozzle, and never place the steamer on a rough surface.

TECHNICAL DATA

Rated voltage: 110-240V~ 50Hz/60Hz

Rated power: 130W

Steam temperature: Approx. 40°C (at a distance of 20cm from the edge of the nozzle)

Water capacity: 60 ml

Run time: 14min (Level II); Up to 25 mins (Level I).

Responsible Disposal

At the end of its working life, do not throw this product out with your household rubbish. Electrical and electronic products contain substances that can have a detrimental effect on the environment and human health if disposed of inappropriately. Observe any local regulations regarding the disposal of electrical consumer goods and dispose of it appropriately for recycling. Contact your local authorities for advice on recycling facilities in your area. Please keep the original packaging carton and materials in a safe place. It will help to prevent any damage if the product needs to be transported in the future. In the event it is to be disposed of, please recycle all packaging material where possible.



Read the manual.

It will help you get the best out of your product.

Still have questions?
Call After Sales Support
0800 422 274

poppi

Warranty

We pride ourselves on producing a range of quality home appliances that are both packed with features, and completely reliable. We are so confident in our products, we back them up with a one year warranty when accompanied by proof of purchase.

Now you too can relax knowing that you are covered.

Customer Helpline NZ: 0800 422 274

IM Version 1.0 – April,2025