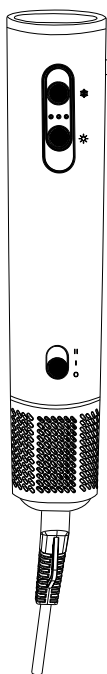


living & co.

HAIRSTYLING GIFT SET



Instruction Manual

Model: SD-988

Before operating this hairstyling, please read these instructions completely and save this manual for future use.

AFTER SALES SUPPORT

 **(NZ) 0800 422 274**

CONTENTS

Important Safety Instructions.....	2
Product Overview	4
General operation.....	4
Care & Maintenance.....	6
Technical Data	6
Fault Finding.....	7
Disposal	7
Warranty	8

Important Safety Instructions

The following safety precautions should always be followed, to reduce the risk of electric shock, personal injury or fire. It is important to read all of these instructions carefully before using the product, and to save them for future reference or new users.

Read all the safety instructions before first use of your hair dryer.

WARNING:

THIS APPLIANCE IS LIVE UNTIL THE POWER IS DISCONNECTED AT THE MAINS.

TO AVOID RISK OF ELECTRIC SHOCK:

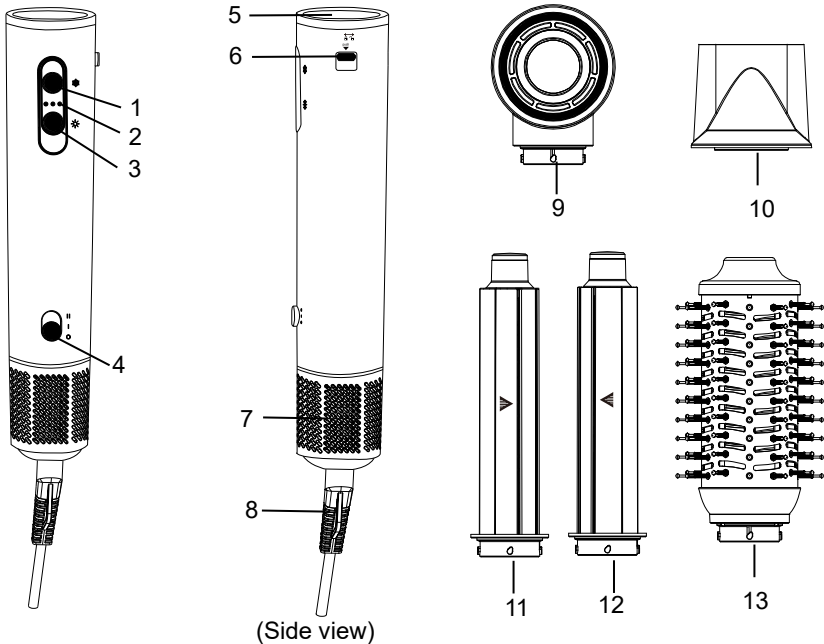


WARNING: Do not use this appliance near bathtubs, showers, basins or other vessels containing water.

- **WARNING:** Do not use this appliance near water.
- When the hairdryer is used in a bathroom, unplug it after use since the proximity of water presents a hazard even when the hairdryer is switched off.
- For additional protection, the installation of a residual current device (RCD) having a rated residual operating current not exceeding 30 mA is advisable in the electrical circuit supplying the bathroom. Ask your installer for advice.
- This appliance is not intended for use by persons (including children) with reduced physical, sensory or mental capacities, or lack of experience and knowledge, unless they have been given supervision or instruction concerning use of the appliance by a person responsible for their person responsible for their safety.
- Children should be supervised to ensure that they do not play with the appliance.
- Burn hazard. Keep appliance out of reach from young children, particularly during use and cool down.
- If the supply cord is damaged, it must be replaced by the manufacturer, its service agent or similarly qualified persons in order to avoid a hazard.
- When the appliance is connected to the power supply, never leave it unattended.
- Always unplug the hairdryer after use.
- Always place the appliance with the stand, if any, on a heat-resistant, stable flat surface.
- Do not use or store the hairdryer where it can come into contact with water.
- If the appliance falls into water, UNPLUG IT IMMEDIATELY. Do not reach into the water until the power has been disconnected.
- This hairdryer should never be left unattended when plugged in.

- Do not pull or wrap power cord around the hairdryer.
- Close supervision is necessary when this appliance is used by, on, or near children.
- Do not use attachments not recommended by the manufacturer.
- Never operate the hairdryer if it has a damaged cord or plug or if it has been dropped into water. Return the appliance to a service centre for examination and repair.
- Keep the cord away from heated surfaces.
- Never block the air vents at the rear of the hairdryer, or place it on a soft surface where the air vents free of dust, hair, etc. Do not insert any objects into the air vents.
- Do not use outdoors, or where aerosol products are being used.
- Do not direct hot air toward eyes.
- Attachments may get hot when in use. Use care when handling them.
- Do not put the hairdryer down while it is operating.
- Check that the voltage rating of this appliance matches that of your supply.
- The mains lead of this appliance is not replaceable by the user. If the supply cord is damaged, it must be replaced by the manufacturer, its service agent or similarly qualified persons in order to avoid a hazard.
- Position the power supply lead so that it is not likely to be walked on or pinched by things placed on or against them.
- Do not use the hairdryer in humid or damp conditions. Do not allow the appliance to get wet i.e. dripping or splashing, as this may be dangerous.
- The slots and openings on the appliance are for ventilation. Do not cover or block them as it could lead to overheating.
- NEVER let children push anything into the holes or slots on the hairdryer.

Product Overview



1. Cool air button
2. Indicator light:
One red light = low hot air
Two red lights = medium hot air
Three red lights = high hot air
Blue light = cool air
3. Hot air setting button: low-medium-high
4. Power switch (0: Off, I: low speed, II: high speed)
5. Air outlet barrel
6. Lock / unlock button for attachments
7. Removable air inlet cover.
8. Swivel cord with hanging hook.
9. Barrel
10. Magnetic concentrator attachment of barrel
11. Right curler attachment.
12. Left curler attachment.
13. 54mm round brush attachment

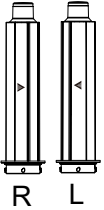
General operation

- Make sure your hands are completely dry, then unwind the power cable and plug into the mains socket outlet and switch on.
- Switch power button– 0 (off)–I (low speed) or II (high speed).
- Attach your required attachment to the air outlet barrel, align and turn

clockwise until it clicks in position. Push Lock / unlock button while twist it anti-clockwise and pull to remove.

- Press the hot air set button to select the desired temperatures, represented by the indicator light, one red light = low hot air, two red lights = medium hot air, three red lights = high hot air.
- Press cool air button, the indicator will be blue lights.
- When you have finished, set the power switch to the off (0) position.

Accessories



Curlers

Function: *Create waves, ringlets and curls.*

Ideal to create glamorous or textured, loose curls for longer hair lengths.

Recommended Level: high hot air (three red lights).

Process: bring a small strand of slightly damp hair to the curler so that the ends of the hair wind around the accessory. Then roll around the rest of the length.

Once the hair is dry, turn off the styler and pull out the hair by moving the device downwards.

Use the left curler for curls in a clockwise direction and the right curler for curls in an anti-clockwise direction.



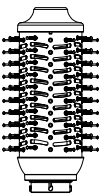
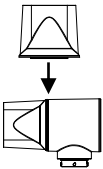
Barrel & Concentrator

Function: *Dry and fix the style.*

Provides concentrated airflow allowing you to target specific sections of your hair.

Recommended Level: medium hot air (two red lights)

Process: Carefully dry the hair starting from the roots until it reaches the tips. Using a round brush, perform the preferred styling.



54mm Ø Hot Air Brush

Function: *Drying or Styling.*

Defrizzes, adds volume & bounce, and can help to style curls.

Recommended Level: medium/high hot air (two/three red lights).

Process: Slide the brush from the roots to the tips with damp hair. Repeat the procedure until the hair is dry and smooth and perform the preferred styling.

NOTE: The drying times may vary depending on the moisture level and hair type. Do not leave hair in contact with the hot elements for too long to avoid damage.

Accessory fitment



When the appliance is switched off, place the chosen accessory on the nozzle and rotate the accessory clockwise.

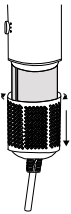
To remove the accessory, turn off the appliance and wait for it to cool down.

Push Lock / unlock button while twist it counterclockwise and pull to remove.

Care & Maintenance

- **WARNING** - always unplug your appliance before cleaning.
- Your hair dryer requires very little attention. You can clean it together with its accessories, using a slightly damp (not wet) cloth. Never clean your appliance with solvent based cleaners or abrasive cleaners.
- Never immerse your appliance or its accessories in water.
- Carefully dry all parts you have just cleaned.

AIR INLET GRILLE REMOVAL:



Twist the air inlet cover clockwise and then gently lift away.

Use a soft brush, vacuum or like to dislodge dust build up.

NOTE: Always ensure the grilles are clean/dry and refitted, never attempt operation without the air inlet grilles fitted. Ensure it is securely refitted (clicked to lock in position) before reusing the dryer.

Technical Data

Model name	Rated Voltage	Frequency (Hz)	Rated power input (W)
SD-988	220-240V	50/60Hz	1400W

Note: The hair styler incorporates an ionic generator which produces negative ions to help dry hair faster, reduce frizz and increase shine. These ions neutralize the positive charge in wet hair caused by friction, making the drying process more efficient and potentially reducing heat damage.

Fault Finding

- If your hair styler is not working:
- Make sure it is plugged into the main supply and switch on.
- Make sure the power switch has been set (I or II).
- If the hair styler still does not work properly, contact customer service.

Disposal

At the end of its working life, do not throw this product out with your household rubbish. Electrical and electronic products contain substances that can have a detrimental effect on the environment and human health if disposed of inappropriately. Observe any local council regulations regarding the disposal of electrical consumer goods and dispose of it appropriately for recycling. Contact your local council for advice on recycling facilities in your area.

Please keep the original packaging carton and materials in a safe place. It will help to prevent any damage if the product needs to be transported in the future. In the event it is to be disposed of, please recycle all packaging material where possible.

living & co.



Warranty

We pride ourselves on producing a range of quality home appliances that are both packed with features, and completely reliable. We are so confident in our products, we back them up with a one year warranty when accompanied by proof of purchase.

Now you too can relax knowing that you are covered.

Customer Helpline NZ: 0800 422 274

IM Version 1.0 – Oct.,2025