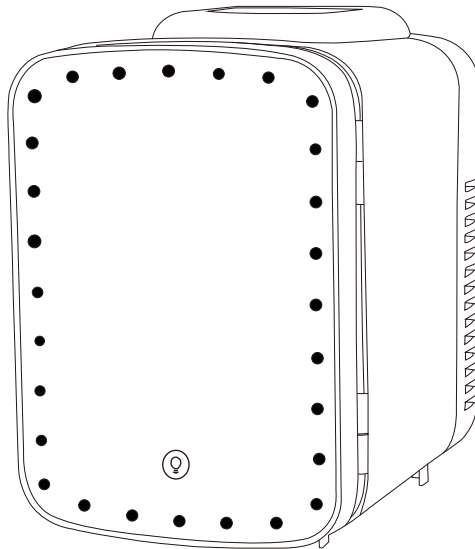


living & co.

COSMETICS COOLER WITH LED MIRROR



Instruction Manual Model: KLM-4LA1

Before operating this appliance, please read these instructions completely and save this manual for future use.

AFTER SALES SUPPORT

  0800 422 274

Contents

Safety Precautions.....	2
Product Overview.....	4
How to Use.....	5
Cleaning and maintenance.....	8
Technical Data.....	9
Warranty.....	10

Safety Precautions

When using electrical appliances, basic safety precautions should always be followed including the following:

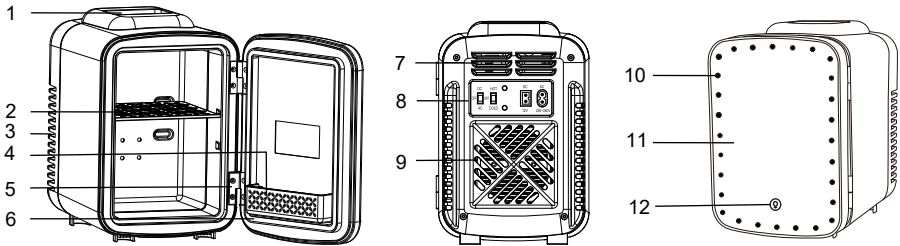
- Carefully read this instruction manual fully before using the appliance.
- Keep this appliance out of reach of young children.
- This appliance is not intended for use by persons (including children) with reduced physical, sensory, or mental capabilities, or lack of experience and knowledge unless they have been given supervision or instruction concerning the use of the appliance by a person responsible for their safety.
- Children should be supervised to ensure that they do not play with the appliance.
- **WARNING:** When positioning the appliance, ensure the supply cord is not trapped or damaged.
- **WARNING:** Do not locate multiple portable socket outlets or portable power supplies at the rear of the appliance.
- Do not immerse the appliance in water or other liquids or use near sinks, baths, or showers.
- Always operate the appliance from a power source of the same voltage, frequency and rating as indicated on the product identification plate.
- Position the power supply lead properly so that they will not be walked on or pinched by items placed on or against them.
- Use the appliance only for its intended use. The appliance is intended for household use only and not for commercial or industrial use.
- **VERY IMPORTANT:** Ensure that the appliance does not get wet (water splashes etc.). Do not use the appliance with wet hands.
- Use the appliance only for its intended use. The appliance is intended for household use only and not for commercial or industrial use.
- Do not use the appliance if it has been dropped or any part of the appliance (including cord or plug) has been damaged. For electrical safety, any repairs to the product must be performed by a qualified electrical person only.
- If the supply cord is damaged, it must be replaced to avoid a hazard.
- Do not install the unit on other appliances, on uneven surfaces or where it could be subject to heat sources (e.g., radiators or stoves), direct sunlight, excessive dust, or mechanical vibrations.
- Appliance should not be used outdoors, placed near a hot gas or electrical burner, or placed in a heated oven.
- Do not operate near any heat sources such as radiators, heat registers, stoves, or other apparatus that produce heat.
- Do not operate the appliance underneath or near flammable or combustible materials (e.g., curtains). Keep at least 30cm clearance around the sides, back, front, and top.

- Unplug appliance during lightning storms or when unused for long periods of time.
- Use only accessories supplied with the product. The use of accessories not intended for use with this appliance may cause injuries to the user or damage to the appliance.
- Do not block any ventilation openings.
- Unplug the appliance before cleaning.
- Any repairs to the product must be carried out by a qualified electrical person only or the product must be disposed of. There are no user-serviceable parts in this appliance.
- If this appliance is used by a third party, please supply the instruction manual with it.
- Do not insert or allow foreign objects to enter the grille openings as this may cause damage to the appliance and/or injury to the user.
- Be sure the unit is placed on a stable surface when operating.
- Turn off and unplug the unit before moving. Move the unit slowly and carefully.
- If using the Heating function, take care as the internal surface temperatures can burn the skin.
- No liability can be accepted for any damage caused by non-compliance with these instructions or any other improper use or mishandling of the appliance.
- Warning: Do not store explosive substances such as aerosol cans with a flammable propellant in this appliance.
- The appliance is intended for use with storage of cosmetics, it is not for medical equipment or pharmaceuticals with strict requirements on temperature (such as medicines, vaccines, chemical reagents, etc.).
- Danger: Do not store or use flammable items near the refrigerator, such as gas, paint, gasoline, etc. There is a danger of fire.

Product Overview

Product features

- Cooling / Heating effect by Thermo-electric Peltier module (no compressor).
- Inner Door Pocket (Max Storage Weight: 150g).
- Mirror with Light.
- AC supply (230V / 50Hz AC) or DC supply (12V DC automotive socket).



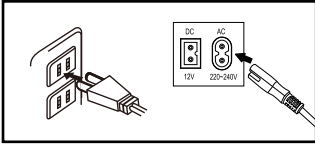
- | | |
|-----------------------|----------------------------|
| 1. Carry handle | 8. Control panel |
| 2. Shelf | 9. Air inlet grilles |
| 3. Ventilation grille | 10. LED lights |
| 4. Door shelf | 11. Mirror door |
| 5. Hinge | 12. LED light touch switch |
| 6. Door seal | 13. AC cord |
| 7. Air outlet vents | 14. DC cord |



How to Use

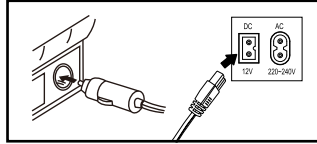
Connection of the supply cable:

- Household use AC mains socket



Insert one end of the AC power cable into the corresponding AC socket of the appliance, press to ensure fully inserted and then plug the mains plug into the power outlet socket.

- Automotive 12V DC socket



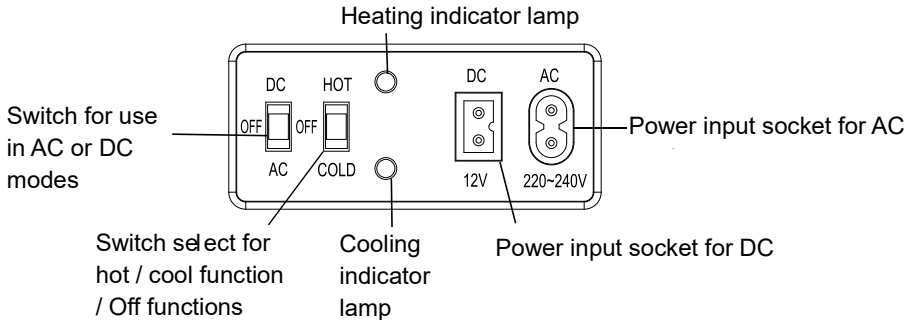
Insert one end of the DC power cable into the corresponding DC socket of the appliance, press to ensure fully inserted and then insert the automotive plug into the outlet socket.

Note: Please carefully refer to the label on each product for the use of the correct power lead.

Setup

- Remove all packaging components, including cardboard at the bottom of the cooler and cardboard and tape (if any) used to secure accessories in the box.
- Check the accessories are complete.
- Refer to the carrying and placement instructions.
- Clean the inside and outside of the cooler according to cleaning instructions.

ON/OFF and function setting



1. Refer to the electrical connection instructions plug, Turn the power switch to the corresponding position based on the connected power type.
2. Switch the function switch to the "COLD" or "HOT" position as desired. The relevant indicator light will illuminate (green for cooling and red for heating). The circulation fan will run.
Please make sure the plug is firmly connected. Loose plugs can cause wires and sockets to heat up, fail prematurely and cause a fire risk.



Note: With the switch in the OFF position, the appliance will not heat or cool. Please ensure that the ventilation grille of the product and its surroundings are free of obstacles and that there is adequate clearance around the back and sides of the enclosure.

ON / OFF

- Located at the back of the appliance is the On / Off Selector switch.
- With the switch in the OFF position, the appliance will not heat or cool.

Cooling Mode

- Slide the Switch to the "Cool" position and the Green Light will illuminate indicating the appliance is Cooling.

Heating Mode

- Slide the Switch to the "Heat" position and the Red Light will illuminate indicating the appliance is Heating.
- Open the Door and let it sit for at least 30 minutes before changing the function.
- **DO NOT** switch the appliance from Heat to Cool without first allowing the appliance to cool down naturally to the ambient room temperature.
- **Note:** Depending on the ambient temperature and the items placed inside, it could take a few hours to reach the desired temperature either cooling or heating

Mirror Light

- Touch the LED light switch (light bulb icon) on the lower portion of the mirror and the LED lights will illuminate at low brightness level.
- Touch the light switch again and the light level will increase to “Mid” brightness level.
- Touch the light switch again and the light level will increase to “High” brightness level.
- Touch the light switch again and the light will turn off.
- Touch the light switch again and the above cycle will repeat.

Usage – Cooling

Important: Do not place food or drink items inside this appliance.

Storing at a cooler temperature helps prevent most cosmetic liquids and gels from drying out or thickening which also helps in a smoother and easier application.

The types of cosmetics that you can store at lower temperatures are items such as Nail Polish and Nail Polish Removers, Perfumes, Lipsticks, Lip Balms, Face Mister, Applicators, Eye Creams and Serums, Face Creams, Pencils (Eyeliner), Organic Cosmetics, etc.

Do Not crowd the items so as to allow air circulation for a more effective cooling environment.

CAUTION When the cooler is operating in warmer room ambient or when the humidity is high, it is possible to have condensation and a small amount of liquid form in the bottom of the cabinet. Please ensure that appropriate precautions are taken to protect your cosmetics. For example, ensure they are stored in sealed containers, or where not sealed, store on the central shelf and not on the floor of the cabinet where they may be exposed to moisture. Another suggestion is to place a folded paper towel in the base of the cabinet to soak any liquids.

Usage – Heating

Important: Do not place food or drink items inside this appliance.

This product can also be used to heat cosmetic products so as to make it easier for application. The type of products that you can heat are items such as Hair Removal Wax or Wax Strips, Oils, Facial Cloths, etc.

Do Not crowd the items so as to allow air circulation for a more effective heating environment.

Caution: Take care when opening the door as the internal surfaces and products may be very hot.

Carry Handle

There is an integrated carry handle built into the top of the unit for ease of moving from room to room.

Performance

- The performance of the appliance is based on temperature difference. For example, in cooling mode, if the room ambient temperature is 20°C, the cooler cabinet temperature could be approximately 5-6°C (difference is 15°C). If the room ambient is 25°C then the cooler cabinet may only achieve approximately 10-11°C (difference is still 15°C). Room ambient therefore has a strong influence on how cool (or warm) the cabinet temperature can reach.
- The same applies for the operation in the heating mode, although the internal temperature is limited to a maximum temperature of 55°C.
- Keep the appliance out of direct sunlight and away from heated objects when operating in the cooling mode.
- Keep the appliance away from colder appliances when operating in the heating mode.

Cleaning and maintenance

- Turn off and unplug the unit from mains power (or DC source) before cleaning. **IMPORTANT:** Never spray with liquids or submerge the unit in water or any other liquid.
- Do Not use flammable liquids, chemicals, abrasive creams, steel wool or scouring pads for cleaning.
- Wipe the unit over with a damp (not wet) cloth with fresh clean lukewarm water and mild detergent.
- Clean the door seal, with clean water only, and wipe with a dry cloth.
- Wipe over again to remove any detergent residue and thoroughly dry before reusing.
- Do not let the switch or power inlet socket get wet or splashed. Ensure the power inlet socket is perfectly dry before inserting the power supply plug.
- If the vent holes are dusty, you can use a vacuum cleaner with a “nonrotating” brush attachment to gently vacuum the dust away.
- **Important:** Do Not poke any objects into the vent holes.
- Do not rinse directly with water.

Storage

- Switch off and unplug the appliance from the mains power and from the back of the unit.
- Coil the power supply cord loosely and place it inside the appliance.
- Store in a dry well-ventilated area.

Fault finding

Issue	Possible cause	Remedy
The indicator light is off and the fan does not work	The power plug is not properly inserted; Power failure.	Plug in the power socket; Check whether power failure; Check whether the machine is powered on; Check whether the fuse of in the automotive supply is working.
The indicator light is operating, the fan is working, and the cooling (heating) effect is poor	Ventilation grilles blocked; Placing too many items in the cabinet; The door (lid) is not closed properly	Remove items near the ventilation grille and remove dust; If the cabinet is overcrowded, performance will be reduced. If operating from DC supply, check that the automotive battery is charged.
A small quantity of water or condensation is visible in the bottom of the cabinet.	When the cooler is operating in warmer room ambient or when the humidity is high, it is possible to have condensation and a small amount of liquid form in the bottom of the cabinet.	Please ensure that appropriate precautions are taken to protect your cosmetics. For example, ensure they are stored in sealed containers, or where not sealed, store on the central shelf and not on the floor of the cabinet where they may be exposed to moisture. Another suggestion is to place a folded paper towel in the base of the cabinet to soak any liquids.

Technical Data

Voltage	Mode	Power
☐ 12V	HOT	35W
	COLD	40W
220~240V 50/60Hz	HOT	45W
	COLD	50W

living & co.



Read the manual.

It will help you get the best out of your product.

STOP
BEFORE
RETURNING
TO STORE

Still have questions?
Call After Sales Support
0800 422 274

Warranty

We pride ourselves on producing a range of quality home appliances that are both packed with features, and completely reliable. We are so confident in our products, we back them up with a two-year warranty when accompanied by proof of purchase.

Now you too can relax knowing that you are covered.

Customer Helpline NZ: 0800 422 274

IM Version 1.0 – July, 2024