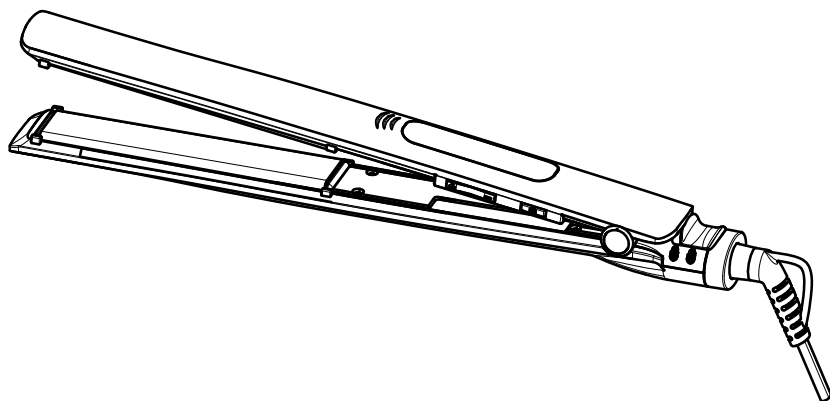


# living & co.

## Digital Hair Straightener



### INSTRUCTION MANUAL

MODEL NO.:CL-HS615

---

AFTER SALES SUPPORT

☎ (NZ) 0800 422 274

# Contents

IMPORTANT SAFETY INSTRUCTIONS .....	2
PRODUCT OVERVIEW & PARTS DESCRIPTION.....	4
OPERATION INSTRUCTIONS.....	5
TEMPERATURE SETTING GUIDE .....	6
CLEANING AND MAINTENANCE .....	7
STORAGE.....	7
DISPOSAL.....	7
SPECIFICATION.....	7
Warranty .....	8

## IMPORTANT SAFETY INSTRUCTIONS:

The following safety precautions should always be followed, to reduce the risk of electric shock, personal injury or fire. It is important to read all of these instructions carefully before using the product, and to save them for future reference or new users.

- Do not operate this appliance if the cable or plug becomes damaged. A qualified electrician must always carry out any repairs that are necessary.
- If the appliance stops unexpectedly or appears to malfunction, switch off the power supply, unplug from the mains and stop using immediately. Seek professional advice to rectify the fault or make repairs.
- Keep the appliance and cable away from sources of heat, sharp objects or anything that may cause damage.
- Ensure the appliance is switched OFF before connecting to the mains power supply.
- The unit is VERY HOT when in use. Take care to avoid contact between the hot surface of the heating plate and bare skin, particularly around the ears, face and neck when in use.
- Care should be taken not to touch the heated plates of the appliance when it is switched on or just after it has been turned off. **ALLOW AT LEAST 30 MINUTES TO COOL DOWN BEFORE PUTTING AWAY**
- Electrical appliances must always be stored in a secure place, out of reach of children.
- Children should be supervised to ensure that they do not play with the appliance.
- Close supervision is necessary when the appliance is being used near children.

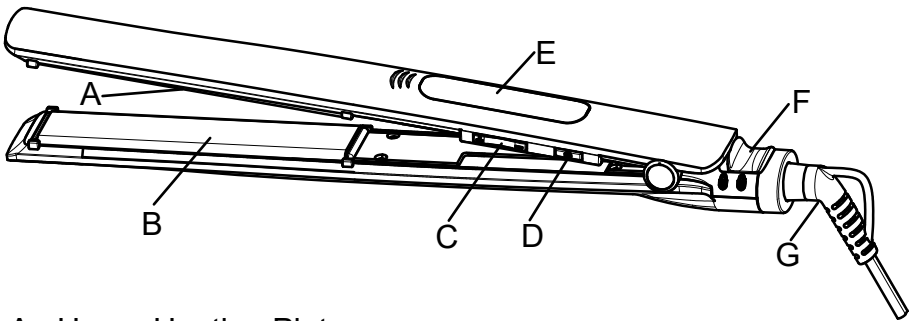
- This appliance is not intended for use by persons (including children) with reduced physical, sensory or mental capabilities, or lack of experience and knowledge, unless they have been given supervision or instruction concerning use of the appliance by a person responsible for their safety.
- To protect against electric shock, never allow the appliance, the mains cable or plug to come into contact with water or any other liquid.
- Never reach for any appliance that has fallen into water. Switch off the power supply at the mains immediately and unplug. Do not re-use until the product has been inspected and approved by a qualified electrician.
- Keep the appliance away from non-heat-resistance surfaces and never cover the appliance with anything (e.g. clothing or towels) when it is hot.
- Always ensure that hands are dry before operating or adjusting any switch on the product or touching the plug and mains supply connections.
- Keep the appliance away from water. Do not use it near or over water contained in bath, washbasins, shower etc.
- Never leave the appliance unattended when connected to the mains power supply. To disconnect, first ensure that all controls are in the OFF position, then remove the plug from the electricity supply.
- Never wrap the mains cord around the appliance. Do not hang up by the power cord.
- Regularly check the mains cord for wear and damage, particularly where it enters the product and the plug.
- This appliance can be used by children aged from 8 years and above and persons with reduced physical, sensory or mental capabilities or lack of experience and knowledge if they have been given supervision or instruction concerning use of the appliance in a safe way and understand the hazards involved.

- Cleaning and user maintenance shall not be made by children without supervision.
- When the appliance is used in a bathroom, unplug it after use since the proximity of water presents a hazard even when the hairdryer is switched off.
- For additional protection, the installation of a residual current device (RCD) having a rated residual operating current not exceeding 30mA is advisable in the electrical circuit supplying the bathroom. Ask your installer for advice.



- **WARNING** Do not use this appliance near bathtubs, showers, basins or other vessels containing water.
- Only use the hair straightener on dry hair. Do not use the straightener on artificial hair.

## PRODUCT OVERVIEW & PARTS DESCRIPTION



- A. Upper Heating Plate
- B. Lower Heating Plate
- C. Variable temperature selection control (9 settings)
- D. ON/OFF Button
- E. LED Temperature Display
- F. Tongs Lock Slide Switch
- G. Swivel Cord with storage loop

## OPERATION INSTRUCTIONS: TO STRAIGHTEN HAIR

- It is recommended that hair is washed prior to straightening and be approximately 80% dry.
- If the tongs are in the closed / locked position, lightly press the tongs together and slide the 'Tongs Lock' switch. This will release the tongs and allow them to open apart.
- Connect the supply plug to a convenient socket outlet and switch on.
- Switch the hair straightener on by pushing the "ON/OFF" button on, the hair straightener plates will heat up.
- Use the temperature selection button to set the desired temperature (9 preset temperatures available between 110°C and 230°C).
- Comb your hair and hold a section that is not wider than 5 cm for straightening.
- Work with the underneath layers first. Place it between the hair straightener plates and press the handles firmly together.
- Slide the hair straightener down the length of the hair in a single motion (Not more than 5 seconds) from root to end, without stopping to prevent overheating.
- To create flicks, turn the straightener 180 degrees (half-circle) inwards or outwards, when it reaches the end of the hair. Hold the straightener in that position for 2 to 3 seconds, and then release it.
- Repeat above steps until you achieve the desired effect. It may be necessary to repeat process on certain areas, depending on the texture of your hair. Some practice is necessary when learning to use a hair straightener.

## TO STRAIGHTEN HAIR (continued)

- Allow your hair to cool down. Do not comb or brush it before it has cooled down, as this would ruin the hairstyle you have just created.
- Switch off using the ON/OFF Button to turn off the appliance and remove mains plug from the supply.

NOTE: Never leave your straightener on and unattended. Switch off when finished. (The appliance will automatically switch itself off after 60 minutes.)

## TEMPERATURE SETTING GUIDE

The hair straightener's variable temperature settings provide styling versatility for all hair types. If you have fine hair, a low temperature will provide the best results. If you have thick, wavy or hard-to straighten hair, keep the heating setting on high.

LED TEMPERATURE CONTROL	HAIR TYPE
LOW 110-130 °C	Delicate, thin, easy-to-style hair
Medium 150-170 °C	Average-to-thick or treated hair
Med-High 190-200 °C	Thick or wavy hair
High 210-220 °C	Hard-to-style hair
Max 230 °C	Coarse or difficult-to-style hair

## STYLING WITH THE FLOATING CERAMIC COATED PLATES

The plates of your new straightening iron are designed with a little give, to “float” and provide natural alignment with the hair section being straightened. This provides better contact with hair, eliminating gaps, for straighter results.


## CLEANING AND MAINTENANCE:

- The appliance must be unplugged before cleaning.
- Let the appliance cool down fully before touching or cleaning.
- Use the damp cloth to clean the plates and housing.
- Do not use any harsh detergents, abrasives, solvents or cleaners. Never immerse in water to clean.
- Dry thoroughly before use.

## STORAGE:

- Ensure the appliance is completely cool and dry.
- Do not wrap the cord around the appliance, as this could result in damage.
- Close the tongs together and lock in position using the tong lock button.
- Store the appliance in a cool, dry place.

## DISPOSAL

	<p><b>Correct Disposal of this product</b></p> <p>This marking indicates that this product should not be disposed with other household wastes. To prevent possible harm to the environment or human health from uncontrolled waste disposal, recycle it responsibly to promote the sustainable reuse of material resources. Contact your local council to locate a suitable recycling facility in your area.</p>
------------------------------------------------------------------------------------	------------------------------------------------------------------------------------------------------------------------------------------------------------------------------------------------------------------------------------------------------------------------------------------------------------------------------------------------------------------------------------------------------------------

## SPECIFICATION:

- 110 - 240Vac 50-60Hz, 50W



# living & co.



## Warranty

We pride ourselves on producing a range of quality home appliances that are both packed with features, and completely reliable. We are so confident in our products, we back them up with a 2 year warranty.

Now you too can relax knowing that you are covered.

Customer Helpline NZ: 0800 422 274

This product is covered by a 2 year warranty when

Accompanied by proof of purchase.

IM Version 1.0 – June,2021