

LIVING&CO

L+C 9L MINI OVEN



INSTRUCTION MANUAL

MODEL: LMO9B

AFTER SALES SUPPORT

 **NZ** 0800 422 274

Read these instructions carefully before using your toaster oven and keep it carefully.

If you follow the instructions, your toaster oven will provide you with many years of good service.

SAVE THESE INSTRUCTIONS CAREFULLY

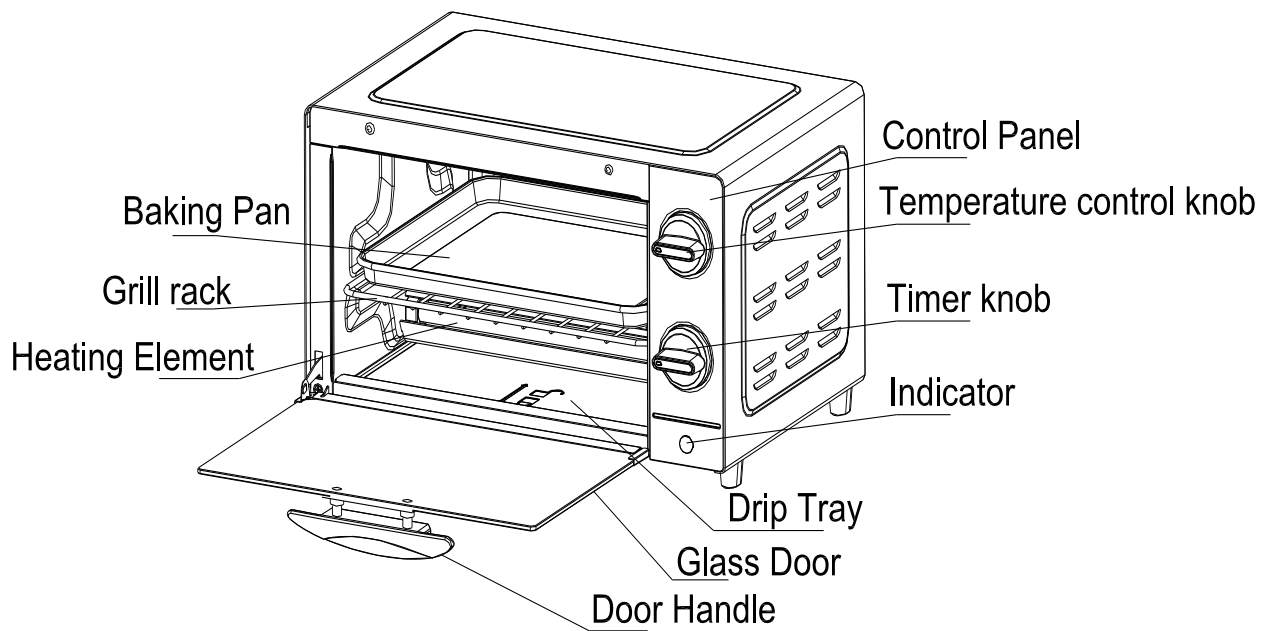
IMPORTANT SAFEGUARDS

1. Read all instruction and product labels and warnings before using the Toaster oven.
2. Do not touch the hot surfaces. The temperature of the door or the outer surface may be high when the toaster oven is operating. Always use oven mitts when handling hot materials and allow metal parts to cool down before cleaning. Allow the units to cool thoroughly before putting in or taking off parts. Always use the handle when moving the unit. It is recommended to leave a minimum clearance of 20cm between the oven and any adjacent objects
3. When the unit is not be used and before cleaning, unplugs the toaster oven from the wall outlet.
4. To protect against the risk of electrical shock, do not immerse the unit in water or other liquid.
5. Do not operate any appliance with a damaged cord or plug or after the appliance malfunctions or has been damaged in any manner. Return appliance to the nearest authorized service facility for examination, repair or adjustment.
6. The use of accessory not recommended by manufacturer may cause injury to persons or damage to appliance.
7. Do not store anything that beyond manufacturer's recommendation when not using this toaster oven.
8. Do not use outdoors or for commercial purpose, do not use this toaster oven for other intended purpose.
9. Do not let the cord hang over the edge of table or counter.
10. Do not place the appliance near the hot gas or electronic burner or other toaster oven, for this will cause fire.
11. A fire may occur if the toaster oven is covered or touching flammable material, including curtains, draperies, walls and the like when in operation. Do not store any items on top of the appliance during operation.
12. Do not place any flammable material such as paper, cardboard, plastic or other things

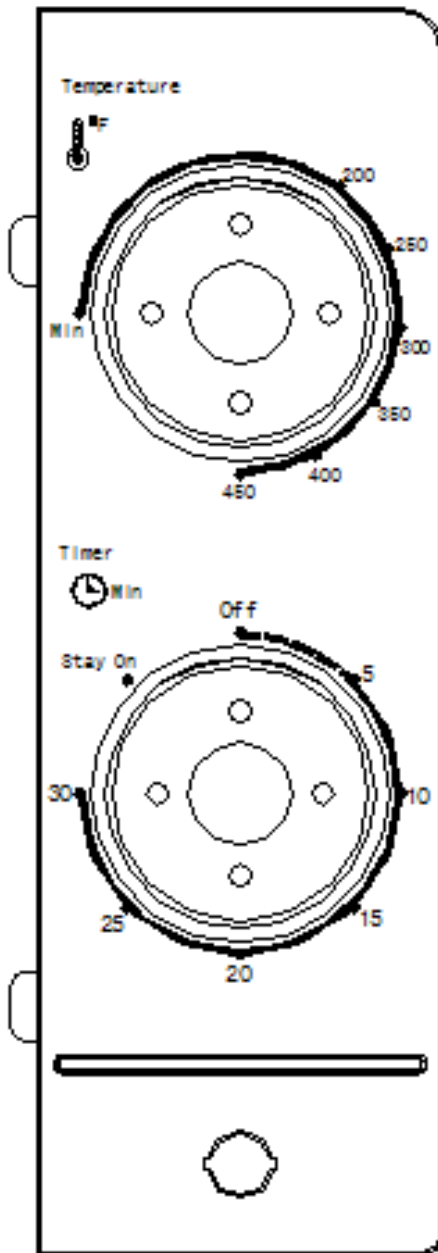
that may catch fire in the toaster oven.

13. Do not cover crumb tray or any part of the oven with metal foil, for it will cause overheating.
14. Oversize food shall not be put into the appliance for it will cause fire or electronic shock on the toaster oven
15. Extreme caution is necessary when disposing the hot grease when broiling.
16. Do not clean with metal scouring pad. Pieces will break off the pad and touch electrical part involving a risk of electrical shock.
17. To turn this appliance off returns all the controls to “OFF” position.
18. To avoid scalding, do not touch the tab of crumb tray before cooling it down completely.
19. This appliance is not intended for use by persons (including children) with reduced physical, sensory or mental capabilities, or lack of experience and knowledge, unless they have been given supervision or instruction concerning use of the appliance by a person responsible for their safety.
20. Children should be supervised to ensure that they do not play with the appliance.
21. The appliance is not intended to be operated by means of an external timer or separate remote-control system.
22. This appliance is intended to be used in household and similar applications such as:
 - staff kitchen areas in shops, offices and other working environments;
 - farm houses;
 - by clients in hotels, motels and other residential type environments;
 - bed and breakfast type environments.
23. Never operate the appliance with wet hands.
24. It is recommended to have a residual current device (safety switch) installed by qualified electrician to provide additional safety protection when using all electrical appliances.

KNOW YOUR TOASTER OVEN



INTRODUCTION OF CONTROL PANEL (The control panel design is subject to change without prior notice.)



Temperature control knob
Dial this knob to set temperature, the maximum setting is 450°F.

Timer knob
Turn it to set proper toasting time, and the longest toasting time that could be got is 30min, with stay on function.

FOR THE FIRST USE

Remove packing materials and any stickers. Remove the detachable accessories from oven. Wash in sudsy water, rinse and dry with a cloth or paper towel. Replace all the detachable accessories in oven. Select a location for the unit. Do not place unit under cabinets or too close to the wall to allow heat to flow without damaging counter space. Plug unit into electrical outlet.

NOTE:

1. Initial start-up operation may result in minimal smell and smoke (about 15 min.). This is normal. It is due to the protective substance on heating elements which protect them from salt effects during shipping from factory. Keep the air draught in good condition in the initial use.
2. The least limit between the food and the upper heating element should be 30mm, for the perfect result.
3. The baking pan can just be placed on the grill rack.
4. Always monitor the food at this setting to ensure that you are not overcooking
5. The inner cavity is equipped with different height of slots for placing grill rack in order to get perfect result.
6. Make sure the crumb tray is completely positioned in place before using.
7. The toaster oven is with “stay on” function, it means that if you rotate the timer to “stay on” position, the toaster oven will not stop working until you manually shut it off.

WARNING: After finish toasting, move the food out of the oven chamber with glove in order to avoid being scalded.

USING YOUR TOASTER OVEN

TOASTING

1. Rotate the temperature control knob clockwise to 450⁰F position. Both the heating elements will work. Open the oven door and place the bread slice on the wire rack. One slice of bread is placed in the center of wire rack, four slices side by side. Four slices will be lighter than one slice—adjust timer accordingly.

NOTE – Remember to remove the baking pan firstly for even toasting result.

2. Time setting

Turn the time knob to the corresponding position depending on the bread color. Usually the time is in the range of about 3-5 minutes. The more toasting time, the bread is darker. When setting the timer dial for less than 5 minutes, always rotate Timer to over 5 minutes and then rotate back to your desired time. This will ensure a safe and accurate timer setting. To interrupt the toasting process just need to turn back the timer to **OFF** position. When the timer has reached to **OFF** position a bell sound will be heard to prompt the completion of toasting, also the power supply will be cut off automatically.

Note: the bread may catch fire if the toasting time is setting too long. Close supervision is necessary during toasting and do not set the time too long.

BAKING (FOR BISCUIT, CAKE, PIZZA AND BREAD)

1. Put the baking pan above the wire rack. Put the foods on baking pan after about 10 minutes preheating, the suggested temperature is about 350-450⁰F. Temperature and time is based on food type and thickness. Usually the proper temperature for baking the food like bread or pizza is 350⁰F.
2. When baking, the upper and lower heating elements will cycle on and off to maintain the constant temperature.
3. When baking is finished, turn the timer to OFF position.
4. Remove the food from the oven carefully.

GRILLING (FOR CHICKEN WINGS AND DRUMSTICKS)

1. Put the baking pan above the wire rack and place the food on baking pan. Always use the baking pan when grilling the food like chicken wings or drumstick with fat, as it can catch the drippings when grilling the food.

NOTE: We always suggest preheating oven about 10 minutes before placing the food.

2. Rotate the temperature controller clockwise to your desired temperature, usually for grilling much thick food. It is advised that you should turn the temperature controller to the 450⁰F, as it can get better effect. When grilling, both the heating elements will work.
3. Set the time based on the food species, thickness. The heat element will be cycled on and off to maintain the constant cavity temperature. For short time cooking, the time can't be set more than 30 minutes. For long time cooking (exceeding 30 minutes), you must set the timer to **STAY ON** position. In this case once the food is over you must stop the oven manually by turning the Timer to **OFF** position.

NOTE: Always monitor the food at this setting to prevent overcooking. Overturn the food during the process or add the flavor if necessary. Always use oven gloves to avoid the risk of scalding.

DEFROSTING

1. Remember to put the food on the baking pan when defrosting.
2. Put the baking pan on the wire rack, removing all paper or plastic wrapping. The temperature should be set at 200-250⁰F. But it is unnecessary to preheat the oven. The time needed for defrosting is largely dependent on food weight, type and shape. If the food is thick and heavy, the temperature should be set at 250⁰F and long time is needed. It is necessary to turn over the food. The oven temperature should not be set too high as this may cause the food to be burned. If the food can be cut easily by knife the defrosting process can be ended. Always cook food promptly after defrosting.

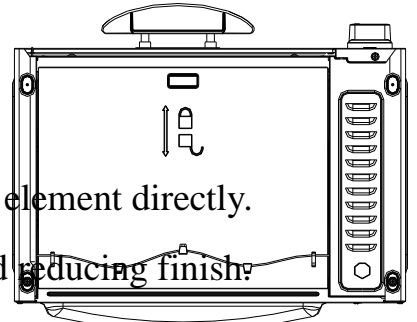
USEFUL TIPS

1. Condensation will appear on the oven door for some foods and then disappear. This is normal.
2. Cook food immediately after defrosting.
3. Frozen foods and thick meat will take longer to cook.
4. Avoid opening the Oven Door too frequently to prevent heat loss.
5. When baking, smoke will likely appear. Removing excess fat prior to baking can reduce this.

CLEAN AND MAINTENANCE

1. Before cleaning the toaster, oven unplug it and allow it to cool completely.
2. Wash all the attachments with mild, soaped water including the grill rack and the baking pan.
3. Immerse the attachments on the water to wash them completely, abrasive cleansers, scrubbing brushes and chemical cleansers will damage the grill rack and baking pan.
4. Using a mild cloth to clean the inner of the oven, remember to clean it regularly.

5. To clean the door by using a hot cloth with detergent or soap.
6. Do not immerse the unit on water to clean the appliance.
7. Do not wipe the heating elements.
8. Do not install the grill rack or baking pan on the lower heating element directly.
9. Do not use any metal pad to clean the surfaces of oven to avoid reducing finish.
10. Press down the tab of crumb tray downwards (see Fig.1) and pull it outwards to open the crumb tray (see Fig. 2). Wipe interior of crumb tray with a damp cloth. After cleaning, close the crumb tray to the bottom of oven and then push it inwards.



NOTE: Do not touch the tab of crumb tray before cooling it down completely.

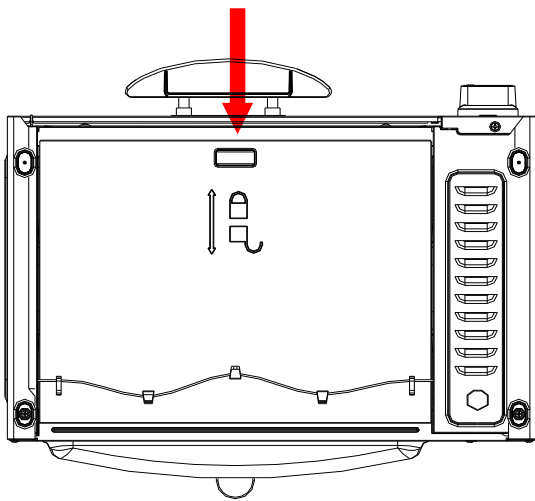


Fig.1

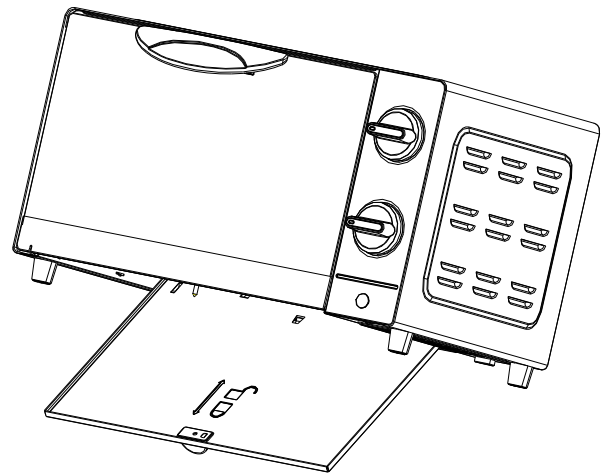


Fig.2

11. Dry all the attachments with a clean and dry cloth, then replace in position.

CAUTION

To prevent countertop from being damaged, the toaster oven must be operated with the crumb tray in place, securely closed and cleaned of excess food.

Never operate your toaster oven with the oven door open.

Never put the baking pan (or any other accessory) directly on the top of the lower heating elements.

TROUBLE SHOOTING

Item	Problem	Solution
1	Unit smokes during bake function	Initial start up operation may result in minimal smell and smoke (about 15 min.). This is normal. It is due to the protective substance on heating. Elements which protects them from salt effects during shipping from factory.
		Smoke in baking functions often means the multi – use pan or Interior is dirty.
		Smoke almost always appears in baking and is normal. Cut off excess fat prior to baking to reduce smoke
		Stop using appliance if smoke source is the power cord. Unplug.
2	The wire rack is stuck, and oven door does not operate smoothly	Remove wire rack and clean inside the rack grooves inside oven chamber. Also, clean inside of crumb tray. Check that hooks on oven properly aligned into wire rack.
3	Toast black and smoking or too light	Choose a lighter or darker crust setting

LIVING&CO

Warranty

We pride ourselves on producing a range of quality home appliances that are both packed with features and completely reliable. We are so confident in our products, we back them up with a 1 year warranty. Now you too can relax knowing that you are covered.

Customer Helpline NZ: 0800 422 274
This Product is covered by 1 year warranty when accompanied by proof of purchase.