



ELECTRIC SHOE DRYER

DRIES 2 PAIRS OF SHOES SIMULTANEOUSLY



Model: PSD2

INSTRUCTION MANUAL

SAFETY INSTRUCTIONS



PLEASE READ AND KEEP THIS MANUAL FOR FUTURE REFERENCE.

Thank you for choosing one of our products. Listed below are precautions which are essential when using this appliance. Please take a few minutes to read these instructions. Keep these instructions handy for future reference.

- To prevent fire or shock hazard, DO NOT expose this appliance to rain or moisture.
- Dangerous high voltages are present inside this enclosure. To avoid electric shock, DO NOT open the cabinet, refer servicing to qualified personnel only.
- No naked flames sources, such as candles, should be placed on the product.
- Only connect to a suitable AC 230-240V~50Hz mains wall outlet. Do not overload the wall outlet.
- This appliance is not intended to be operated by means of an external timer or separate remote-control system. Other use not recommended may cause fire, electric shock or injury.
- This Appliance is hot when in use. To avoid burns, do not let bare skin touch hot surfaces. Let the appliance cool before moving.
- Extreme caution is necessary when Heated Shoe Dryer is used by or near children or invalids and whenever the Heated Shoe Dryer is left operating and unattended.
- This appliance is not intended for use by persons(including children) with reduced physical, sensory or mental capabilities, or lack of experience and knowledge, unless they have been given supervision or instruction concerning use of the appliance by a person responsible for their safety.
- Keep out of reach of children. Children should be supervised to ensure that they do not play with the appliance.
- To disconnect, grip the plug and pull it from the wall outlet. Never pull by the cord. Do not use with wet hands or in damp environments.
- Do not attempt to repair, disassemble or modify the appliance. There are no user-serviceable parts inside. Repairs should only be performed by qualified personnel.
- If the supply cord is damaged, it must be replaced by the manufacturer, its service agent or similarly qualified persons in order to avoid a hazard.
- Do not use if there are visible signs of damage to the Shoe Dryer.
- Use this Shoe Dryer on a horizontal and stable surface.
- Always unplug the appliance when not in use.
- Do not operate the appliance with a damaged power cord or plug or after the appliance malfunctions, has been dropped or damaged in any manner.
- Do not use the appliance outdoors.
- Do not run power cord under carpeting.
- Do not cover the power cord with throw rugs, runners or the like. Arrange the power cord away from traffic areas and where it will not be tripped over.
- Do not place the power cord over any part of the appliance.
- To disconnect appliance, set control to OFF and then remove the plug from the outlet.
- This appliance has hot electrical parts inside.
- DO NOT use it in areas where gasoline, paint or flammable liquids are used or stored.
- Do not abuse the power cord. Never carry the appliance by the power cord or yank it to disconnect if from an outlet; instead, grasp the plug and pull to disconnect.
- Do not attempt to repair, disassemble or modify the appliance. There are no user-serviceable parts.
- Use the appliance only as directed in this manual. Any other use not recommended by the manufacturer may cause fire, electric shock or injury to persons.
- Remove all packaging and check the appliance for any damages during transportation.
- Ensure a power socket is available to power the appliance and that the appliance is not directly located under or in front of a power socket.
- Ensure the appliance is placed on a level surface with enough clearance from its surroundings.
- Please hang the shoes on the shoes rack properly.
- Do not put the dripping shoes on the rack directly.
- Stop using when the product cover or heating tube damaged.

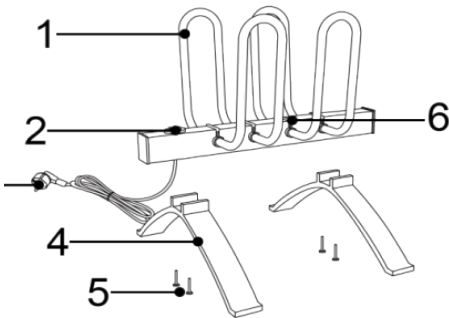
WARNING

When power cord is damaged inadvertently by incorrect use , the power cord must only be replaced by a qualified Electrician in order to avoid potential hazard.

This product has not been designed for any uses other than those specified in this booklet.

SAVE THESE INSTRUCTIONS

OVERVIEW OF YOUR SHOE DRYER



1. Heating bars
2. Power ON/OFF switch
3. Power cord
4. Stand feet
5. Screws
6. Reinforced buckles

YOUR ELECTRIC SHOE DRYER

Congratulations on the purchase of your new Electric Shoe Dryer.

Before first using your Shoe Dryer, it is most important that you read and follow the instructions in this use and care booklet, even if you feel you are quite familiar with this type of appliance.

Your attention is drawn particularly to the section dealing with **IMPORTANT SAFEGUARDS**. Find a place and keep this booklet handy for future reference.

Your Shoe Dryer is safe and easy to use. It has been designed to function quietly and safely under normal circumstances.

This quality Shoe Dryer is fully portable, with sturdy base and a modern design.

ASSEMBLY OF ELECTRIC SHOE DRYER

WARNING: DO NOT USE BEFORE ASSEMBLING THE STAND.

1. Carefully remove the Shoe Dryer from the plastic bag and carton. Place the Shoe Dryer Upside down on a soft surface or carpet (To avoid causing any damage during assembly of the stand).
2. Position the feet to align with the corresponding holes location on the base of the shoe dryer, secure with screws supplied and tighten them with screw driver.

OPERATION

When operated for the first time, the unit may emit an unpleasant burning type smell. This is normal, and will disappear after a short period of use. Always choose a safe location for the shoe dryer, keeping in mind the safety precautions outlined. Ensure that all packaging has been removed from the unit before use.

- 1) Place the Shoe Dryer on a level surface in a stable upright position. Make certain the power switch is in the "OFF" position.
- 2) Unwind the power cord and plug your Shoe Dryer into a suitable 230-40V~50Hz power outlet. Ensure that the voltage on the specifications plate is the same as in your home.
- 3) Press the switch to (2) position (Power indicator lights up) , then the Shoe Dryer is start working.

TECHNICAL SPECIFICATIONS

Power Supply: AC 220-240V~ 50Hz

Power Consumption.:40W

Dust proof & Waterproof protection rating class: IPX4

NOTE: AS A RESULT OF CONTINUAL IMPROVEMENTS, THE DESIGN AND SPECIFICATIONS OF THE PRODUCT WITHIN MAY DIFFER SLIGHTLY TO THE UNIT ILLUSTRATED ON THE PACKAGING.

CARE AND CLEANING

- Before cleaning, ensure that the appliance is switched in the off position and is unplugged from the socket.
- Clean the exterior surfaces of the appliance with a dry, soft cloth.
- Never use any form of detergents or solvents to clean the appliance.
- Never spray with liquids or submerge in liquids or water.
- DO NOT attempt to clean the interior of the appliance.
- DO NOT ATTEMPT TO OPEN THE CASE OF THIS Appliance at any time. There are no consumer serviceable parts inside this unit.
- When the appliance is stored during the off season, neatly wind the power cord around the base of the appliance to prevent any damage to the power cord.

NOTE: IF THE POWER CORD OF THE APPLIANCE BECOMES DAMAGED DISCONTINUE USE.

DISPOSAL

Do not dispose of packaging or the product through your household waste!

The product and packaging are made from recyclable materials (plastics, metals, paper).

If the product is no longer suitable for use dispose of it in an environmentally friendly manner in accordance with your local council regulations.



Warranty Certificate

TO KEEP UP-TO-DATE WITH IMPORTANT PRODUCT INFORMATION

Congratulations!

You have made an excellent choice of this quality product. Our commitment to quality also includes our service. Should you, contrary to expectations, experience defects due to manufacturing faults, ASA will provide you with a warranty against defects as follows:

Warranty

The product is guaranteed to be free from defects in workmanship and parts for a period of 12 months (depending on the product) from the date of purchase. Defects that occur within this warranty period, under normal use and care, will be repaired, replaced or refunded at our discretion. The benefits conferred by this warranty are in addition to all rights and remedies in respect of the product that the consumer has under the Competition and Consumer Act 2010 and similar state and territory laws.

Australian Consumer Law (ACL)

Our goods come with guarantees that cannot be excluded under the Australian Consumer Law. You are entitled to a replacement or refund for a major failure and for compensation for any other reasonably foreseeable loss or damage. You are also entitled to have the goods repaired or replaced if the goods fail to be of acceptable quality and the failure does not amount to a major failure.

Proof of Purchase

This warranty is valid for the original purchase and is not transferable. Please keep your purchase docket, tax invoice or receipt as the best proof of purchase, and as proof of date on which the purchase was made.

Extent of Warranty

This warranty is limited to defects in workmanship or parts. All defective products or parts will be repaired or replaced at our discretion, subject to assessment.

This warranty does not cover batteries or any other consumable items, unless otherwise stated.

Normal Wear and Tear

This warranty does not cover normal wear and tear to the products or parts.

Exclusions

This warranty does not cover:

- Any defects caused by an accident, misuse, abuse, improper installation or operation, lack of reasonable care, unauthorised modifications, loss of parts, tampering or attempted repair by a person not authorised by the distributor.
- Any product that has not been installed, operated or maintained in accordance with the manufacturer's operating instructions provided with the product.
- Any product that has been used for purposes other than domestic use.
- Any damage caused by improper power input or improper cable connection.

To Make a Claim

If the product needs to be returned and all the warranty criteria has been met, the consumer is to return the product to the place of purchase (along with their proof of purchase) and all costs involved with this will be the responsibility of the consumer.

Our sales and service centre has been set up to provide assembly assistance, technical support, replacement parts and accessories, and to efficiently handle all warranty related matters. Please note upon receiving your warranty claim our Service Centre will send, via post or email, a repair and refurbished goods or parts notice.

When making a return, please ensure the product is properly packaged so as to ensure that no damage occurs to the product during transit.

Service Centre


Contact details:

Email: support@asaus.com

This product is warranted and imported by:

ONFOCUS INTERNATIONAL LIMITED

AFTER SALES SUPPORT

 support@asaus.com
MODEL:: PSD2





Warranty Certificate

PRODUCT NAME ELECTRIC SHOE DRYER

BRAND NAME ASA®

MODEL NUMBER PSD2

NAME

ADDRESS

EMAIL

DAYTIME TEL NO

DATE OF PURCHASE

SERIAL NUMBER


We recommend that you attach a photocopy of your receipt, showing the date of purchase, to this Warranty certificate and **keep for your reference.**

In the event of a product fault, please email our Customer Service hotline. Please ensure that you have the product details (as shown on this card) at hand so that we are able to respond as quickly and efficiently as possible.

NOTE: A request for compensation will need documentary evidence of the loss or damage suffered. It will also need to be evidenced that such a loss was a reasonably foreseeable result of a failure by the importer to comply with a consumer guarantee under the Australian Consumer Law.

ASA is a registered brand of Onfocus International Limited.

AFTER SALES SUPPORT
Version 01, 2026

 support@asaus.com
MODEL:: PSD2

1
YEAR WARRANTY

NOTES



Cat. No. : PSD2
January 2026