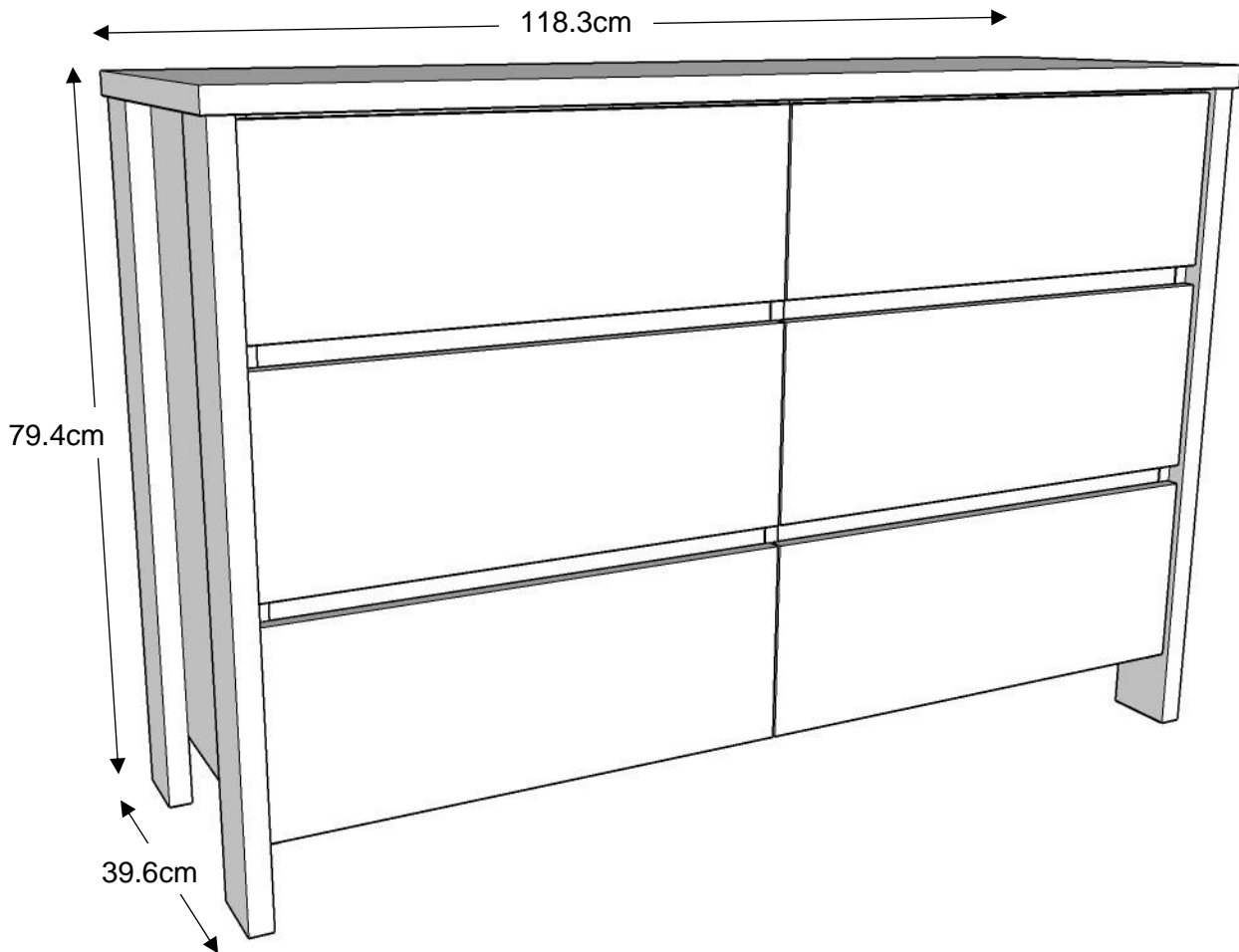


LIVING & CO[®]

Waipoua 6 Drawer Lowboy






INSTRUCTION MANUAL

Maximum recommended weight is 15kgs per drawer



5 YEAR
WARRANTY

Assembly Details

<p>120 Min</p> <p>Approximate Assembly Time</p>	<p></p> <p>2 Person Assembly</p>	<p>Floor Area 3m x 4m</p> <p></p> <p>Required Assembly Space</p>
<p></p> <p>Tools Required</p>		

Tips before you start

1. For the protection of your furniture, we recommend that the product is placed on a protected surface during assembly to prevent damage
2. Please check that all parts are present before you start the assembly of your furniture
3. For ease and speed of assembly, we recommend that you identify all the parts required for each step before commencing with assembly
4. For larger items, please ensure that you have sufficient space (as indicated on page 2)
5. We recommend that, where possible, all items are assembled near to the area in which they will be placed in use, to avoid moving the product unnecessarily
6. During Assembly please take care not to over-tighten hardware as this may damage the product
7. Always place the product on a steady and stable surface
8. Do not use the product as a stepladder
9. This product is intended for indoor, household use only as it is a non-industrial product

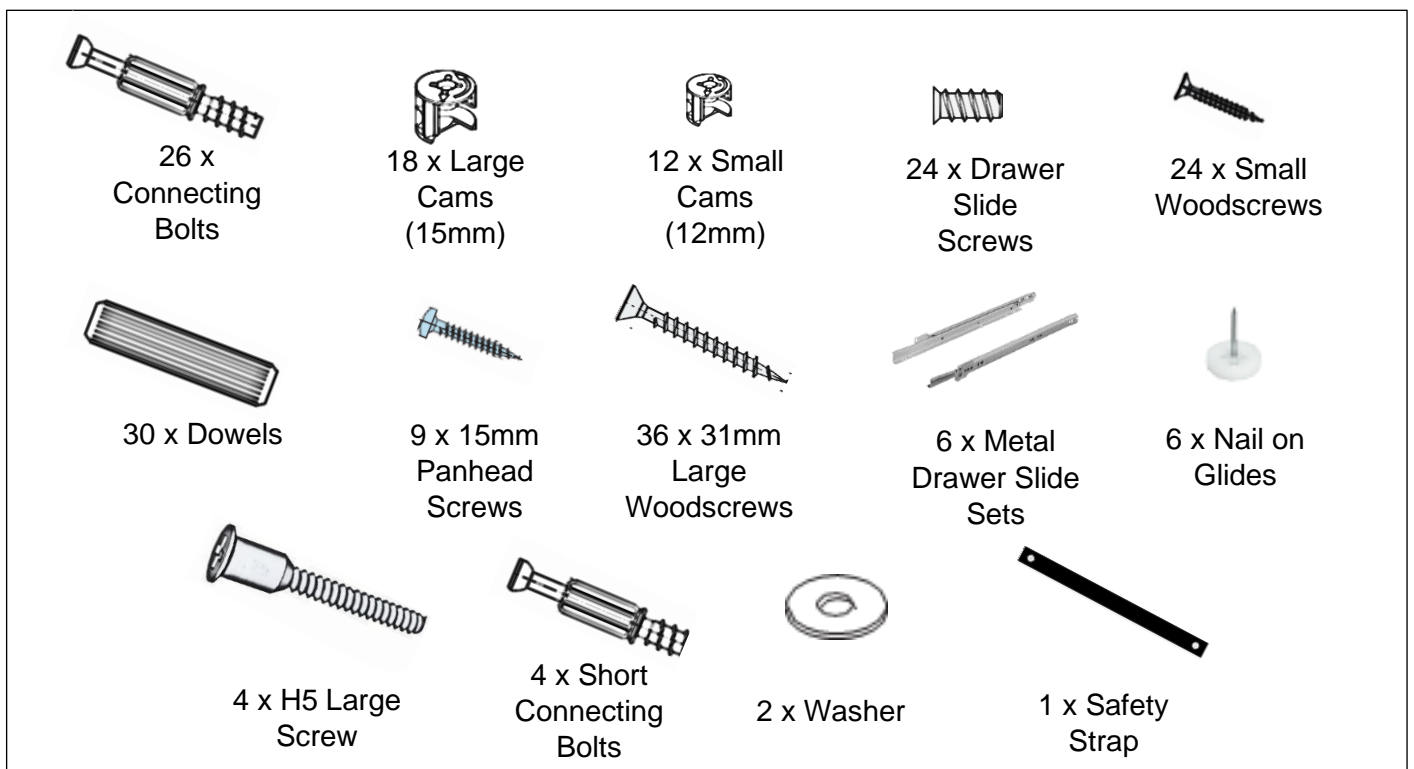
Care and Maintenance

- ✓ Please periodically check all fittings and re-tighten as necessary
- ✓ To clean your item, please use a damp cloth and wipe clean
- ✓ Never allow any kind of liquid on your furniture
- ✓ Please do not place hot items (e.g. Hot drinks) directly on to the surface

Parts List

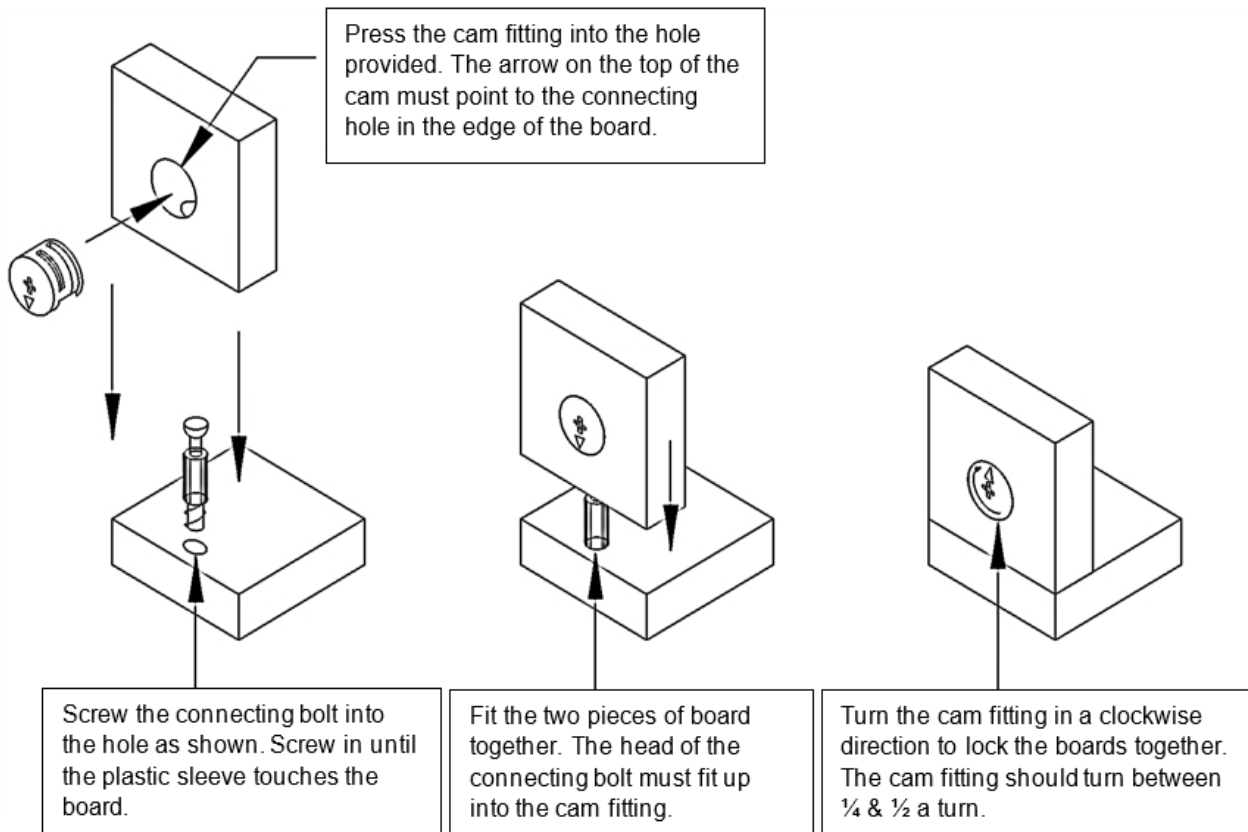
QTY	PART	MEASUREMENTS	NOTES
1	Top	1183 x 396 x 25mm	Laminate on one side.
1	LH End	684 x 370 x 15mm	Laminate on one side (green mark on back).
1	RH End	684 x 370 x 15mm	Laminate on one side (red mark on back).
1	Base Shelf	1091 x 352 x 15mm	Plain (unfinished).
4	Corner Legs	794 x 80 x 25mm	Laminate on both sides.
1	Division	669 x 354 x 15mm	Plain (unfinished).
4	Front Rails	538 x 50 x 15mm	Laminate on one side.
1	LH Top Drawer Front	557 x 195 x 15mm	Laminate on one side (green mark on back).
1	RH Top Drawer Front	557 x 195 x 15mm	Laminate on one side (red mark on back).
2	LH Drawer Fronts	557 x 215 x 15mm	Laminate on one side (green mark on back).
2	RH Drawer Fronts	557 x 215 x 15mm	Laminate on one side (red mark on back).
6	LH Drawer Sides	340 x 160 x 12mm	Laminate on both sides (green mark on back).
6	RH Drawer Sides	340 x 160 x 12mm	Laminate on both sides (red mark on back).
6	Drawer Backs	488 x 155 x 12mm	Laminate on one side.
6	Drawer Bottoms	498 x 339 x 4mm	Laminate on one side.
1	Back Panel	694 x 1111 x 4mm	Plain (unfinished).
1	Support Foot	196 x 80 x 25mm	Laminate on both sides

Hardware List



Cam Installation & Operation Guide

The Cam and Connecting Bolt system is used to put your unit together. Below is an explanation of how this system works.



Drawer Slides Guide

Your pack will contain six sets of **Metal Drawer Slides**. These are bundled together with adhesive tape. The set comprises of 4 components. Undo the tape on one set at a time and separate the parts.

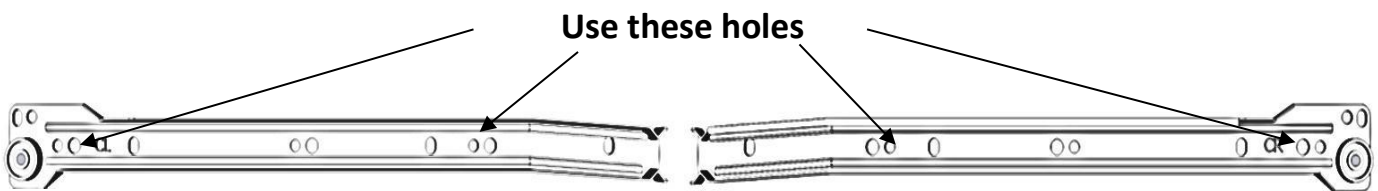


LEFT HAND PART (DL)



RIGHT HAND PART (DL)

The Drawer Slide components shown *above* are attached to the **drawer**. They have the letters **DL** or **DR** stamped on them to indicate left-hand or right-hand components. Put these parts aside for attaching to the drawer later.

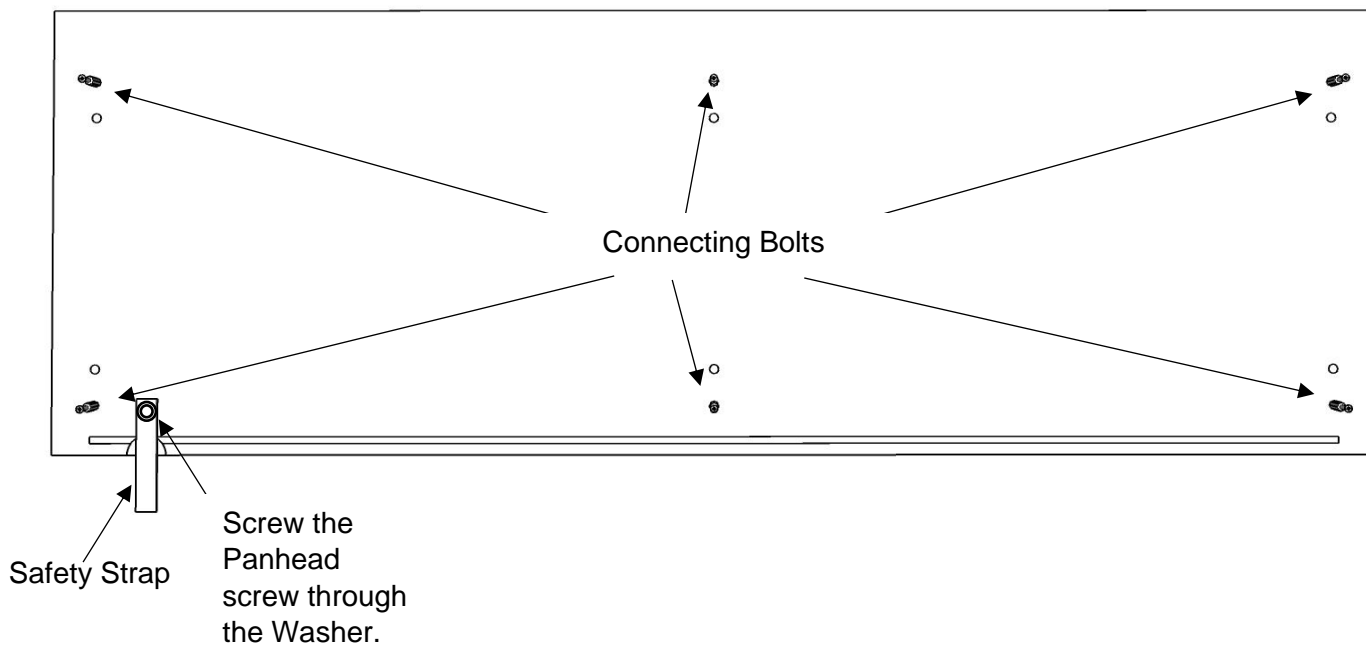
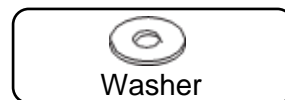
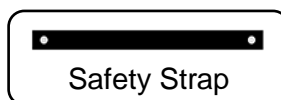
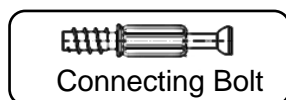
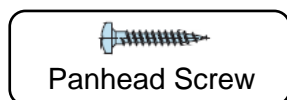


The Drawer Slide components shown *above* are to be attached to the **cabinet**. They have letters **CL** or **CR** stamped on them to indicate left-hand or right-hand components. You will need these for steps 4 and 5.

Assembly

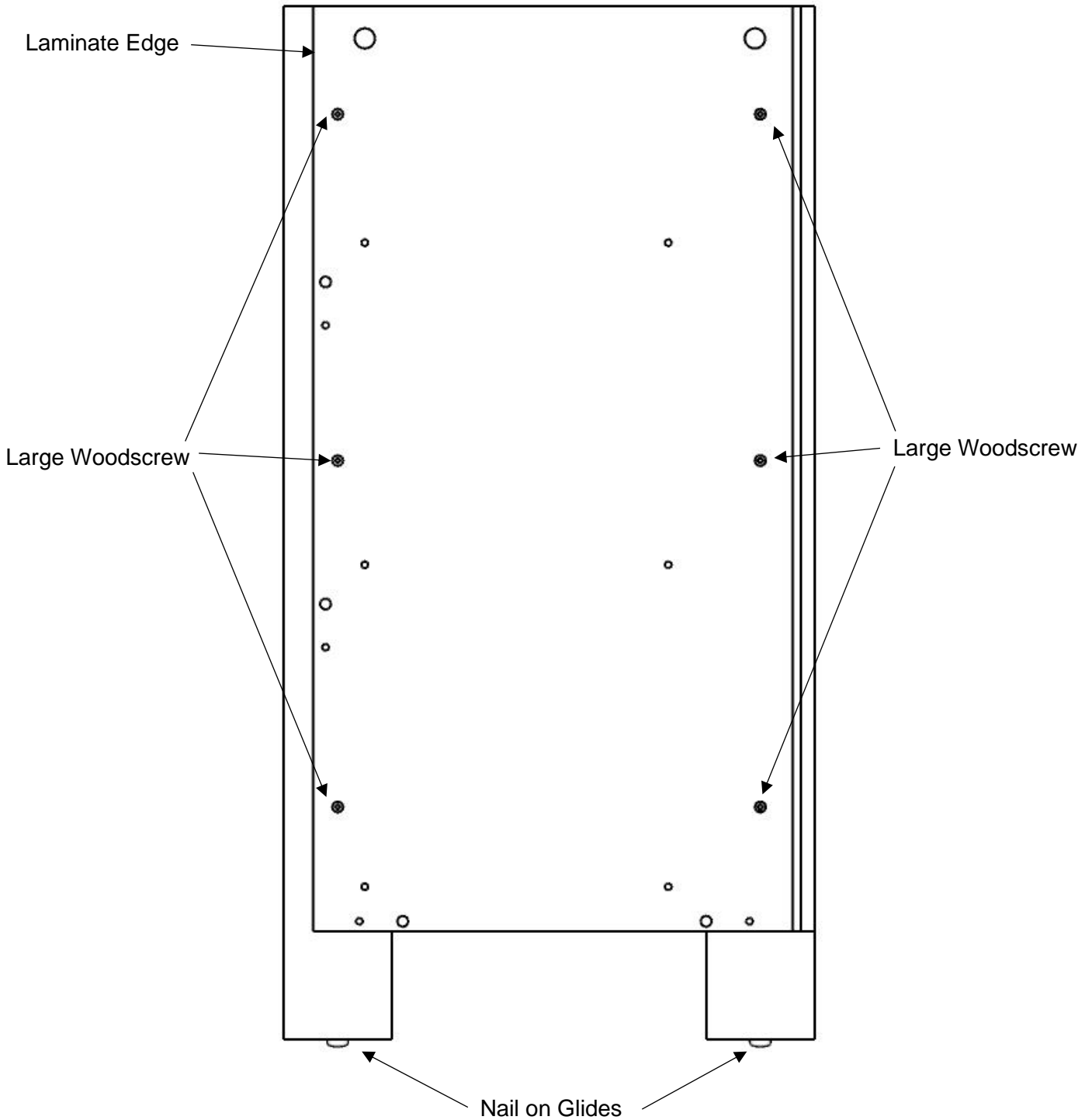
STEP 1: Top

- To begin assembly, lay the **Top** laminated side down on a clean and clear surface.
- Screw six **Connecting Bolts** into the holes as shown.
- Using the **Panhead screw**, attach the **Safety Strap** as shown by screwing it through the **Washer** and then through the eyelet in the **Strap**, into the hole in the left-hand side of the **Top**. Make sure that the **Strap** is positioned so that the tail end falls through the hole in the edge of the **Top** as shown below.



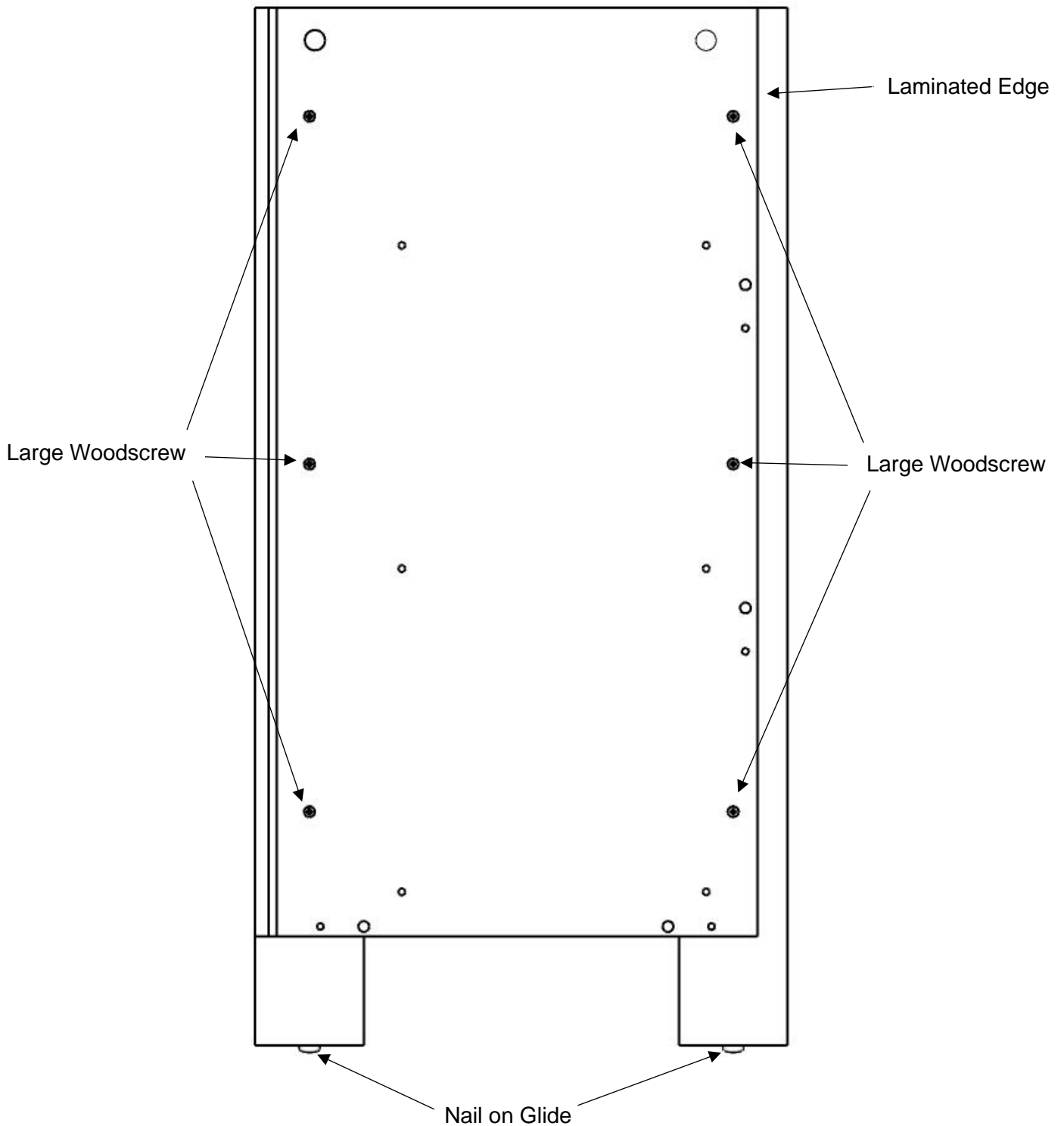
STEP 2: Screw Legs to LH End

- Screw the **Legs** onto the **LH End** using the **31mm woodscrews**. Ensure the guide holes in the end match up with the guide holes on the leg before inserting the screws.
- Tap the **Nail on glides** into the base of the **legs** using the guide holes provided.



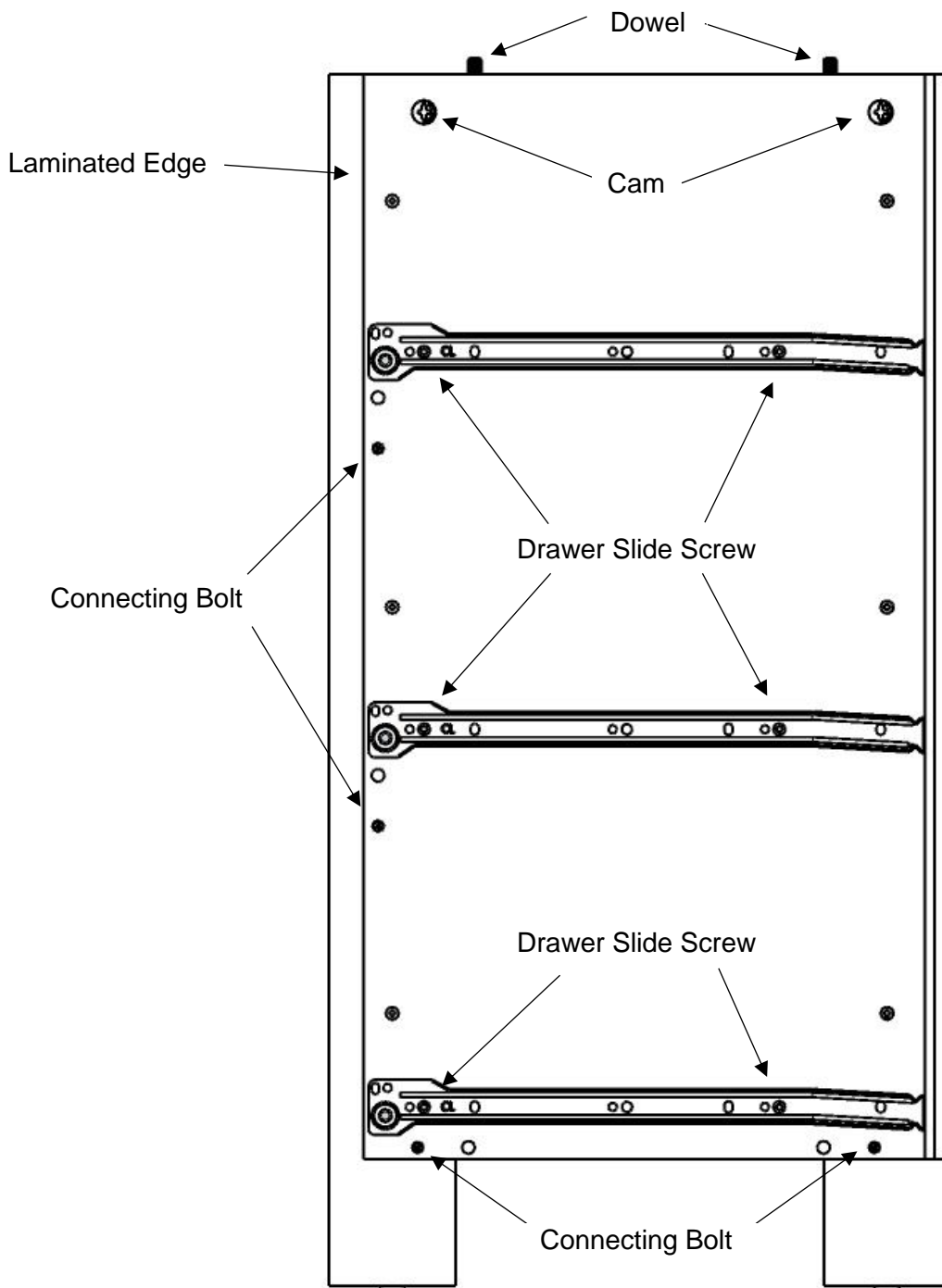
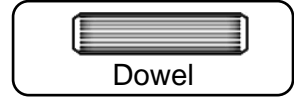
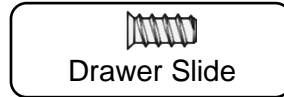
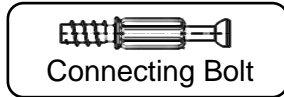
STEP 3: Screw Legs to RH End

- Repeat the previous step with the **RH End**.



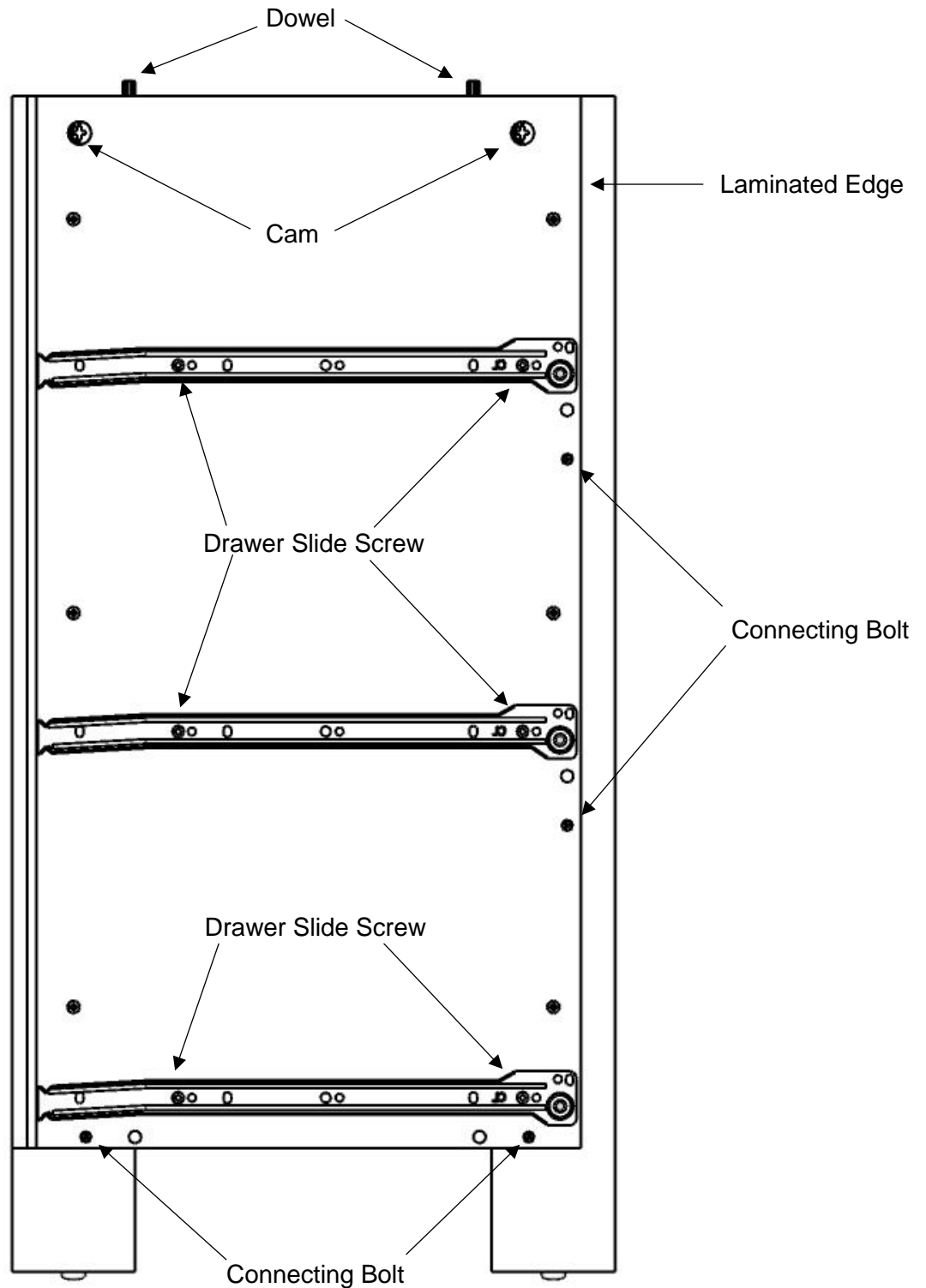
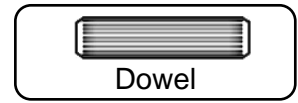
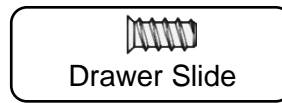
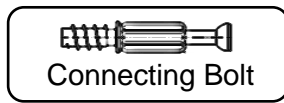
STEP 4: Hardware LH End

- Screw the **LH Cabinet Drawer Slides** into the **LH End** using **two Drawer Slide Screws** for each slide (*ensure that the end of the slide with the wheel is on the side with the laminated edge*).
- Insert **two Large Cams** as shown (make sure the arrow on the top of the **Cam** points towards the top edge of the **End**).
- Push **two Dowels** into the holes in the top edge of the **End**.
- Screw **three Connecting Bolts** into the holes as shown.



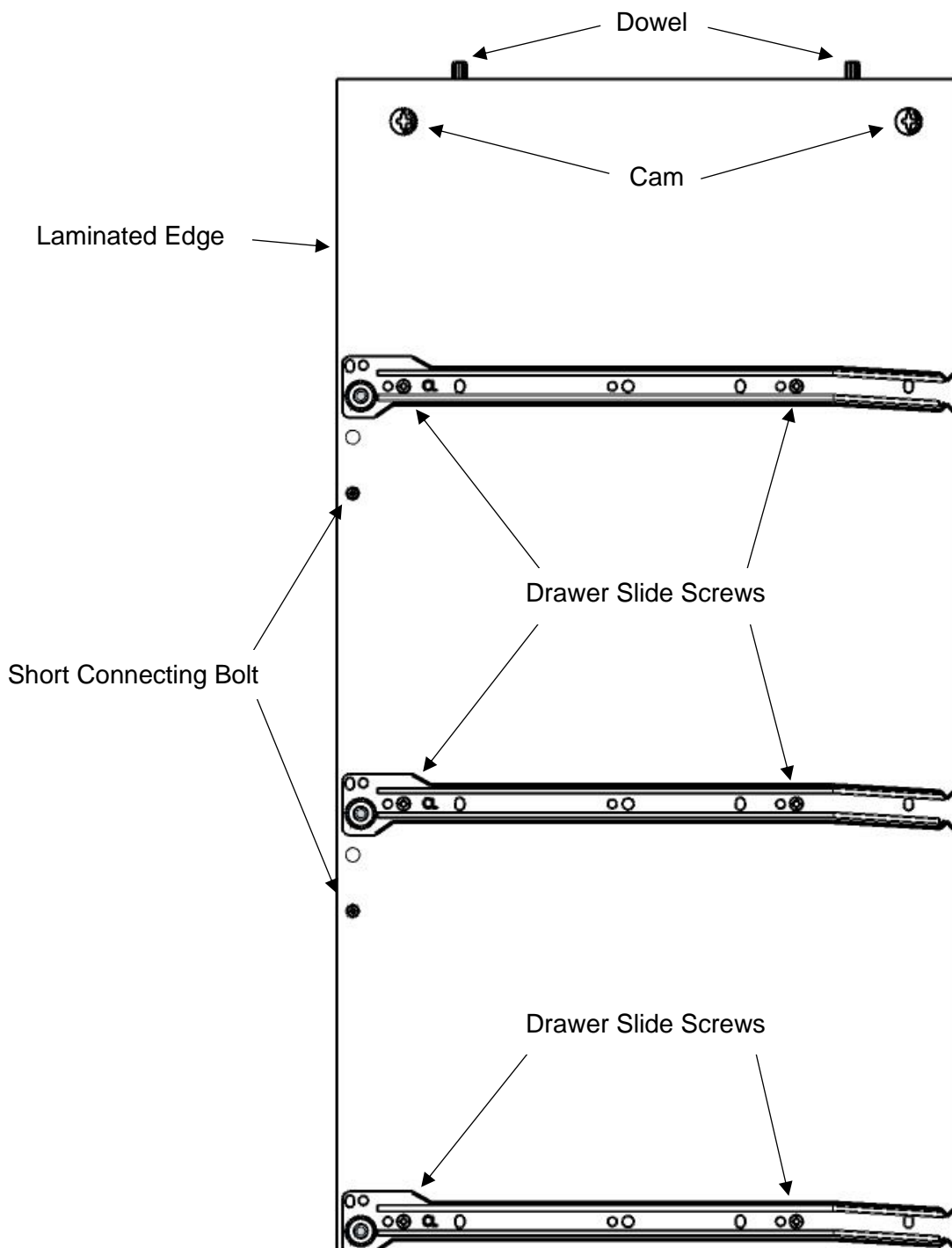
STEP 5: Hardware RH End

- Repeat the previous step with the **RH End**.



STEP 6: Division

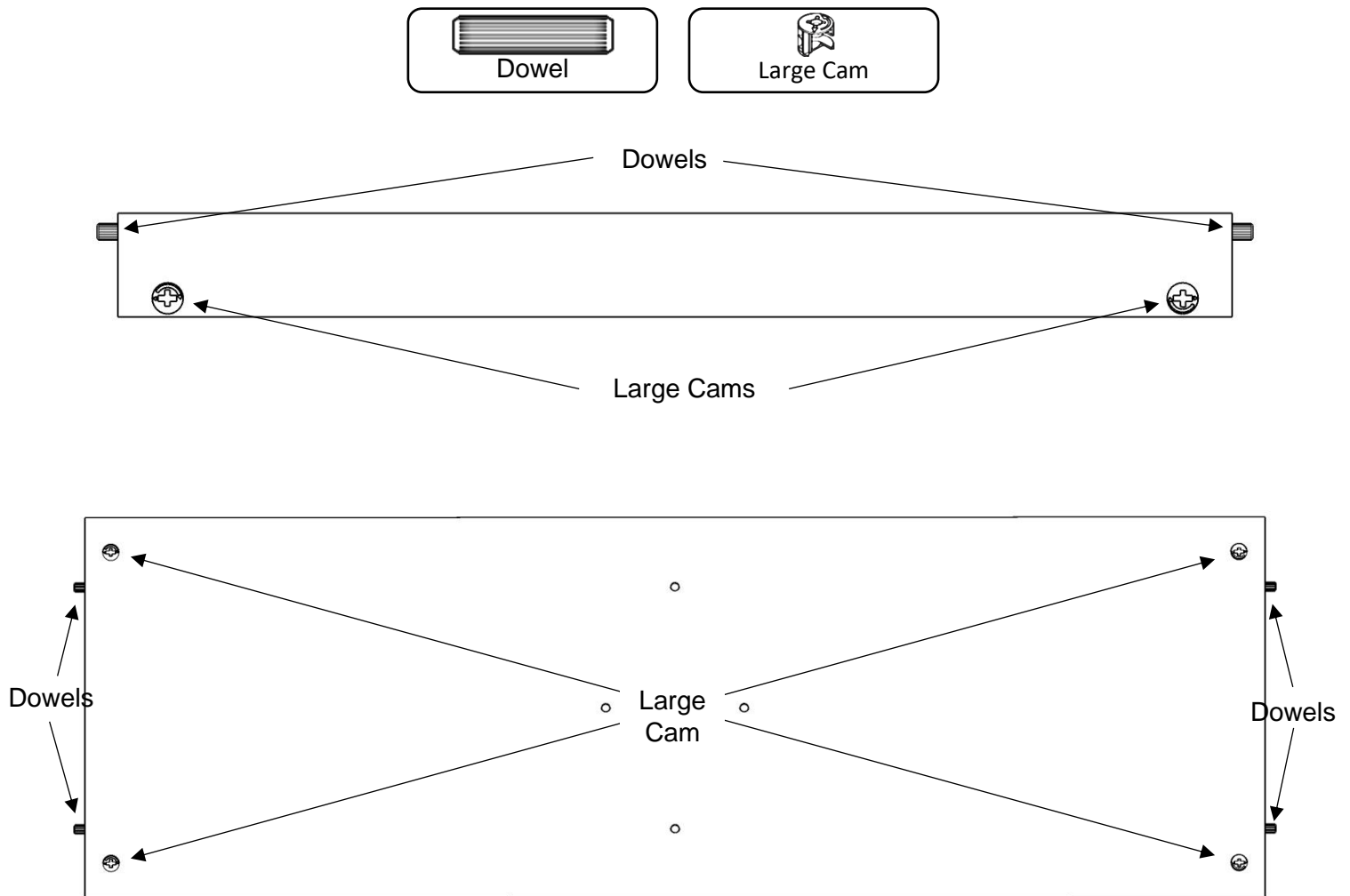
- Install the hardware in the **Division** as shown below. **NOTE: The holes for the Cams could be on either side of the Division.**
- Repeat this step for both sides of the **Division**. Ensure that the end of the slide with the wheel faces towards the **Finished edge** of the **Division**.



STEP 7: Rail and Shelf

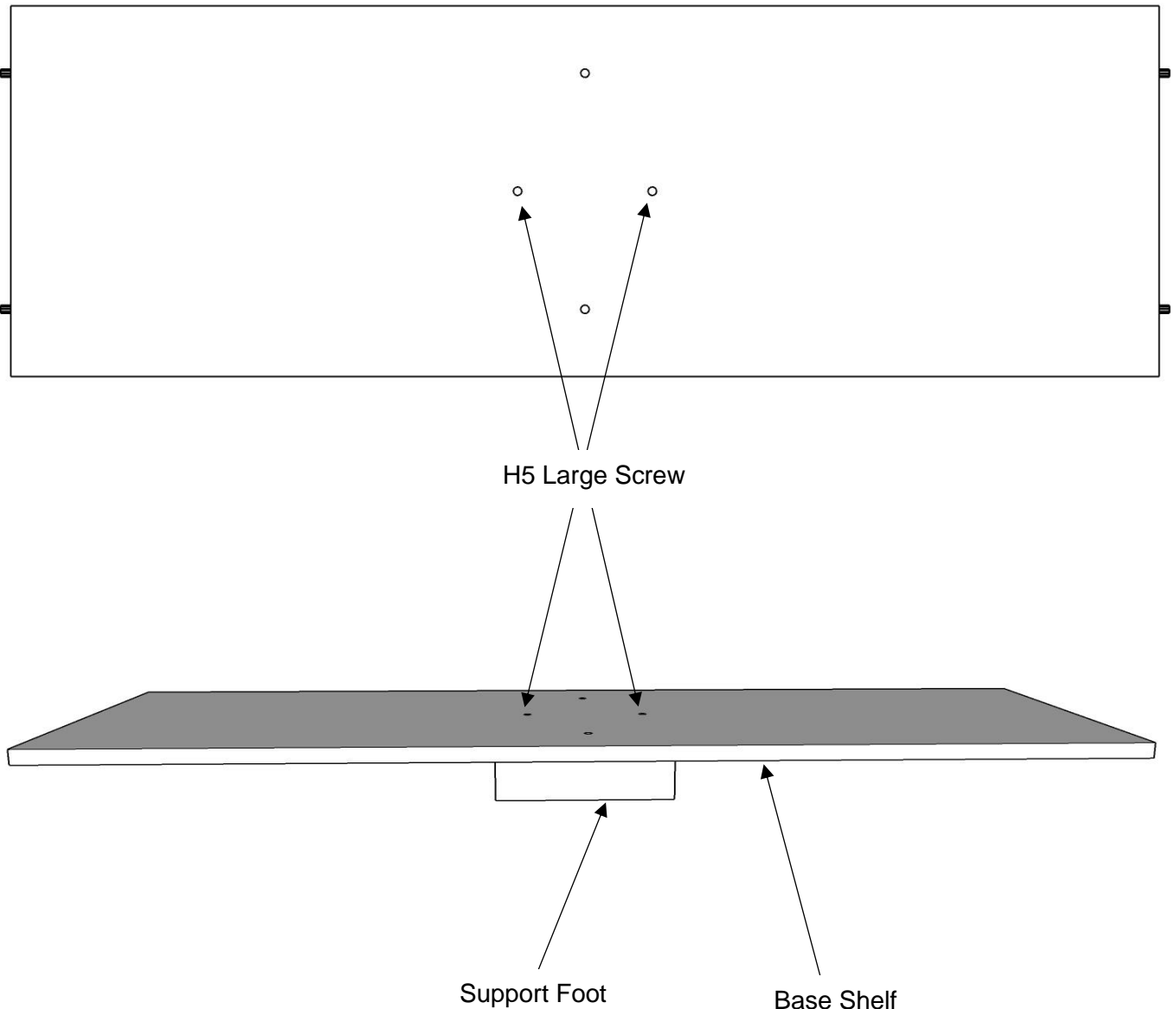
Your pack will contain the following rails and base shelf.

- **4 x Front Rails**
- **1 x Base Shelf**
- Install the **Large Cams** into each piece as indicated.
- Push the **Dowels** into each of the boards as indicated.



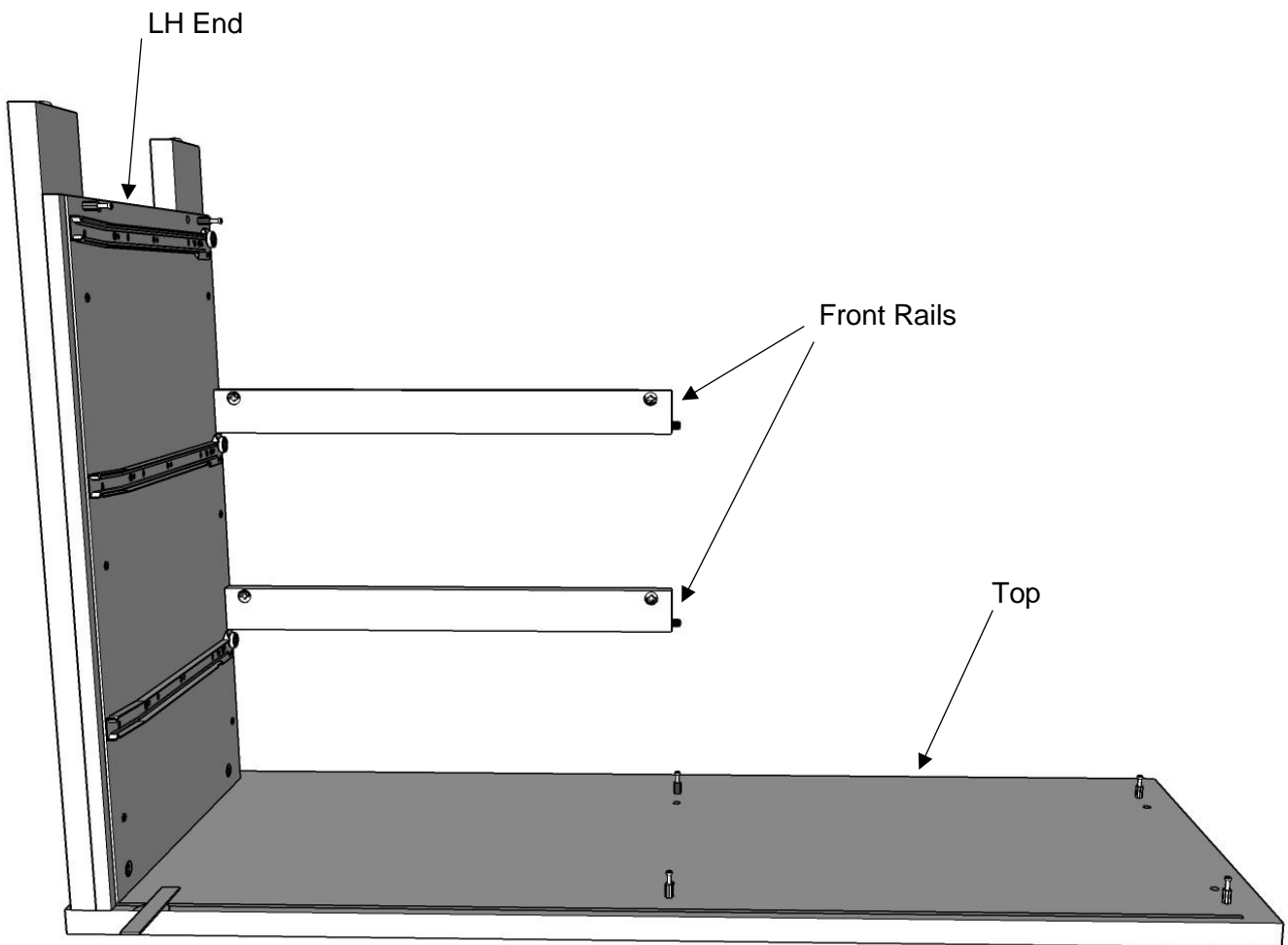
STEP 8: Attach the Support Foot

- Take the **Support Foot** and screw it to the **Base Shelf** using two **H5 Large Screws**. Ensure the screws are inserted from the side without **Large Cams**.



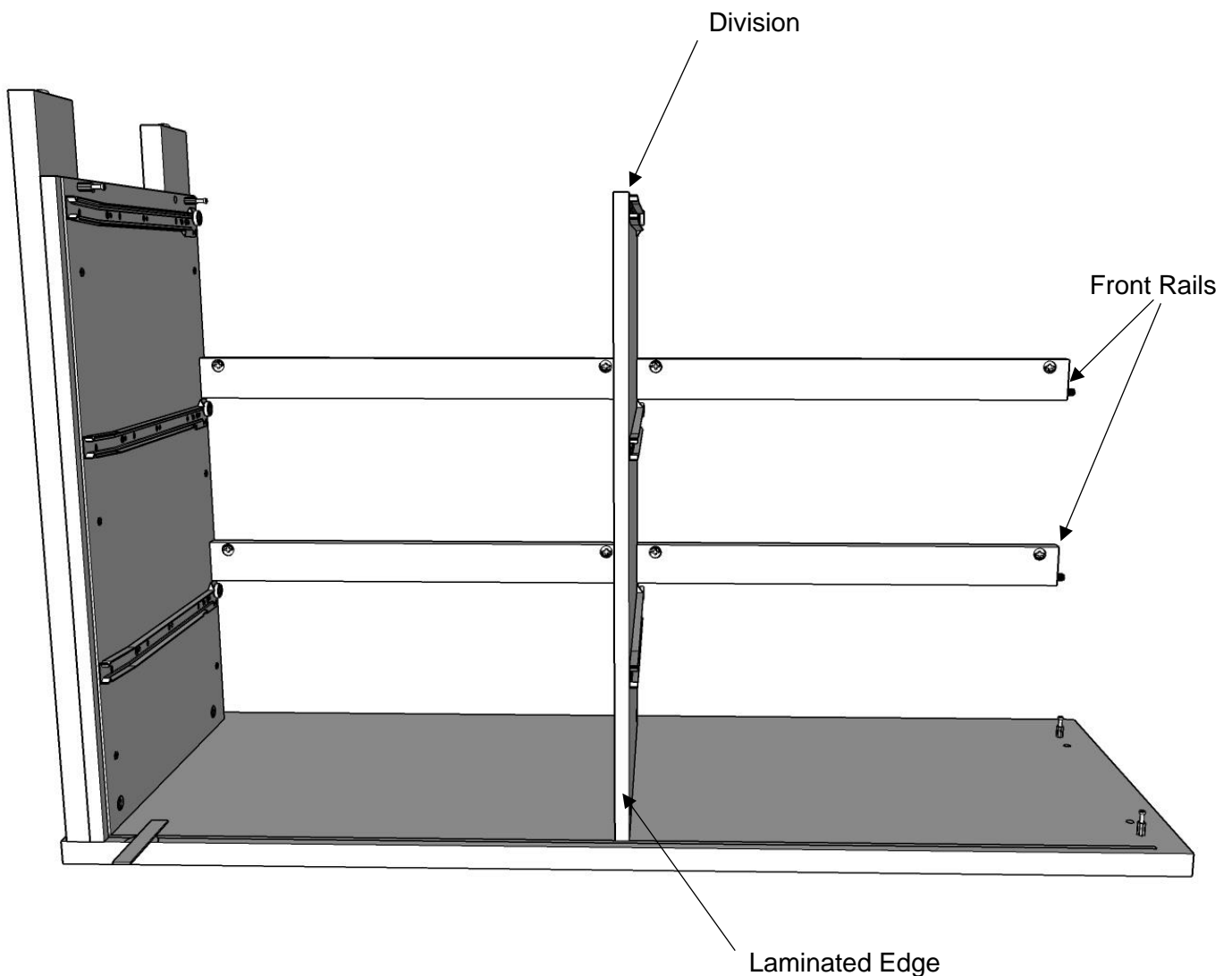
STEP 9: Attach LH End to Top

- Lay the **Top** on a clean, clear surface.
- Attach the **LH End** to the **Top** by fitting it down over the **Connecting Bolts** installed in the **Top**. Make sure the laminated edge of the **LH End** faces the front of the **Top**. Then tighten the cams as show on page 5.
- Fit the two **Front Rails** over the **Connecting Bolts** in the **End** as shown (*ensure the laminated side of the Rail is facing forward so the cams cannot be seen once the cabinet is completed*). Then tighten the cams, **ensure you don't over tighten the cams, or this may split the side of the rail.**



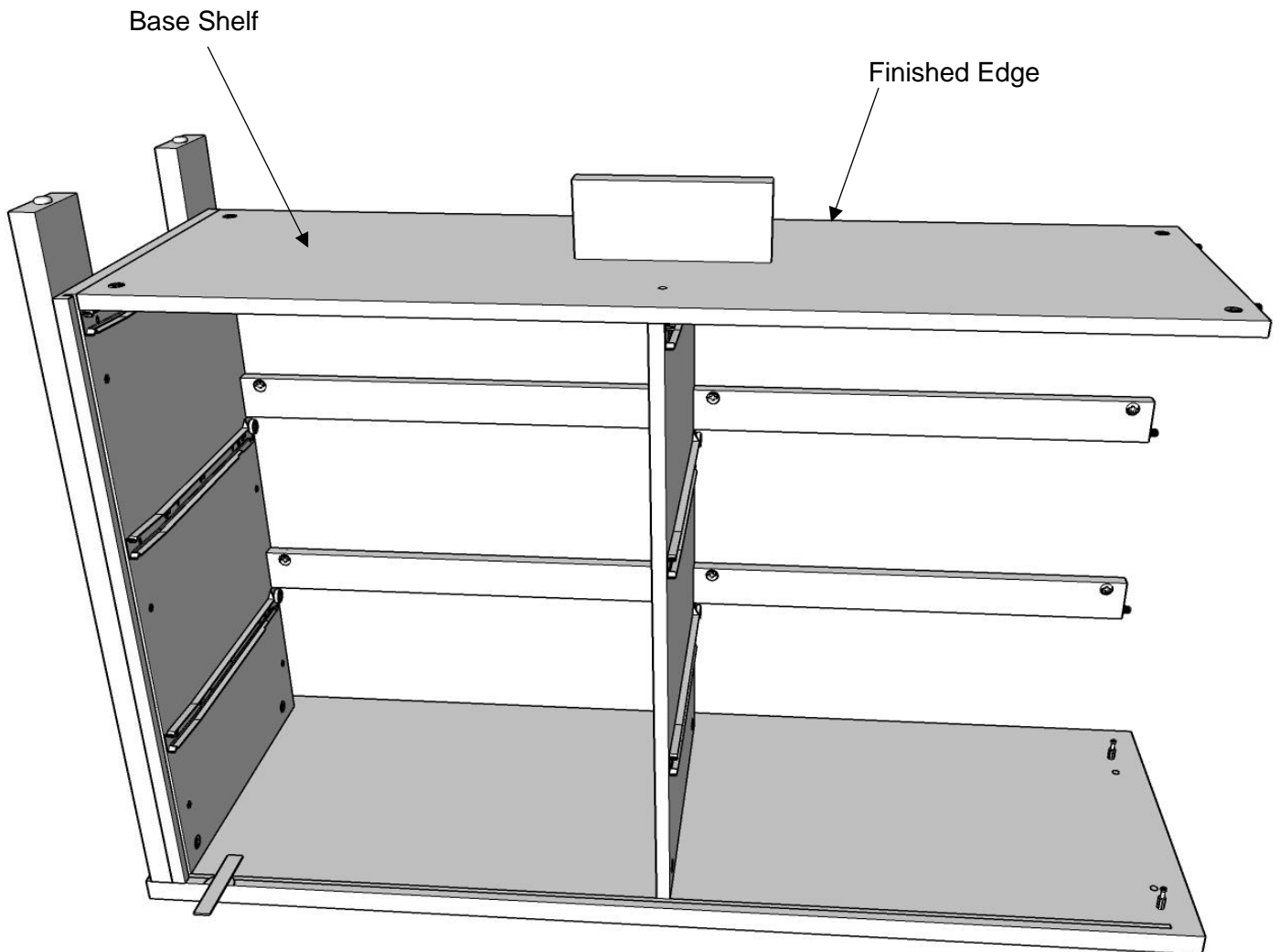
STEP 10: Attach Division to Top

- Attach the **Division** to the **Top** by fitting it down over the **Connecting Bolts** installed in the **Top**. Make sure the laminated edge of the **Division** faces the front of the **Top**. Then tighten the cams as show on page 5.
- Also fit the **Connecting Bolts** in the **Division** into the cams in the **Front Rails**. Then tighten the cams, **ensure you don't over tighten the cams, or this may split the side of the rail.**



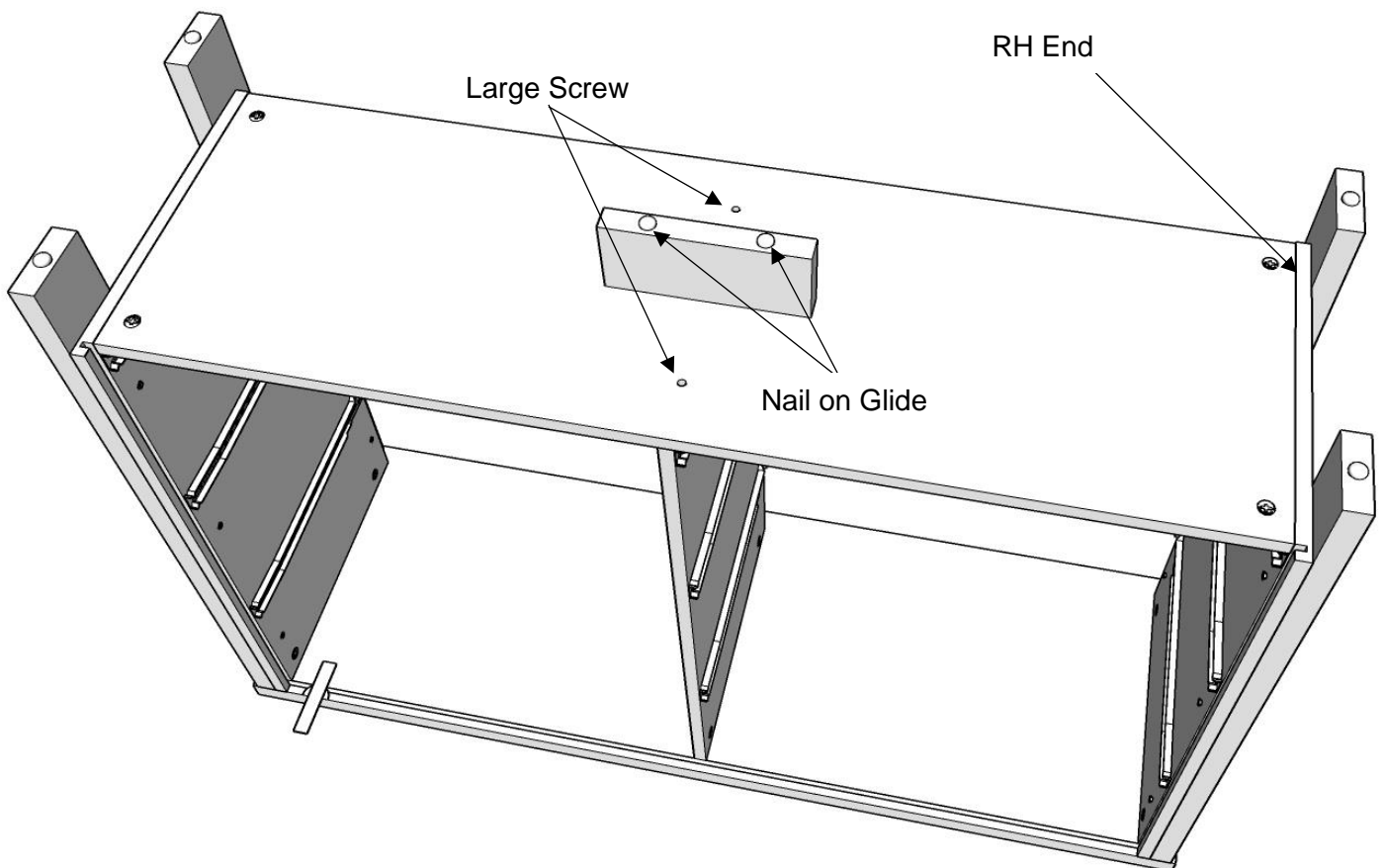
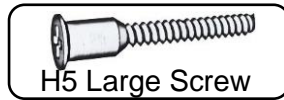
STEP 11: Fit the Base Shelf

- Install the **Base Shelf** by fitting the shelf into **Connecting Bolts** in the **LH End** as shown below. Ensure the finished edge of the shelf is facing forward, then tighten the cams as show on page 5.



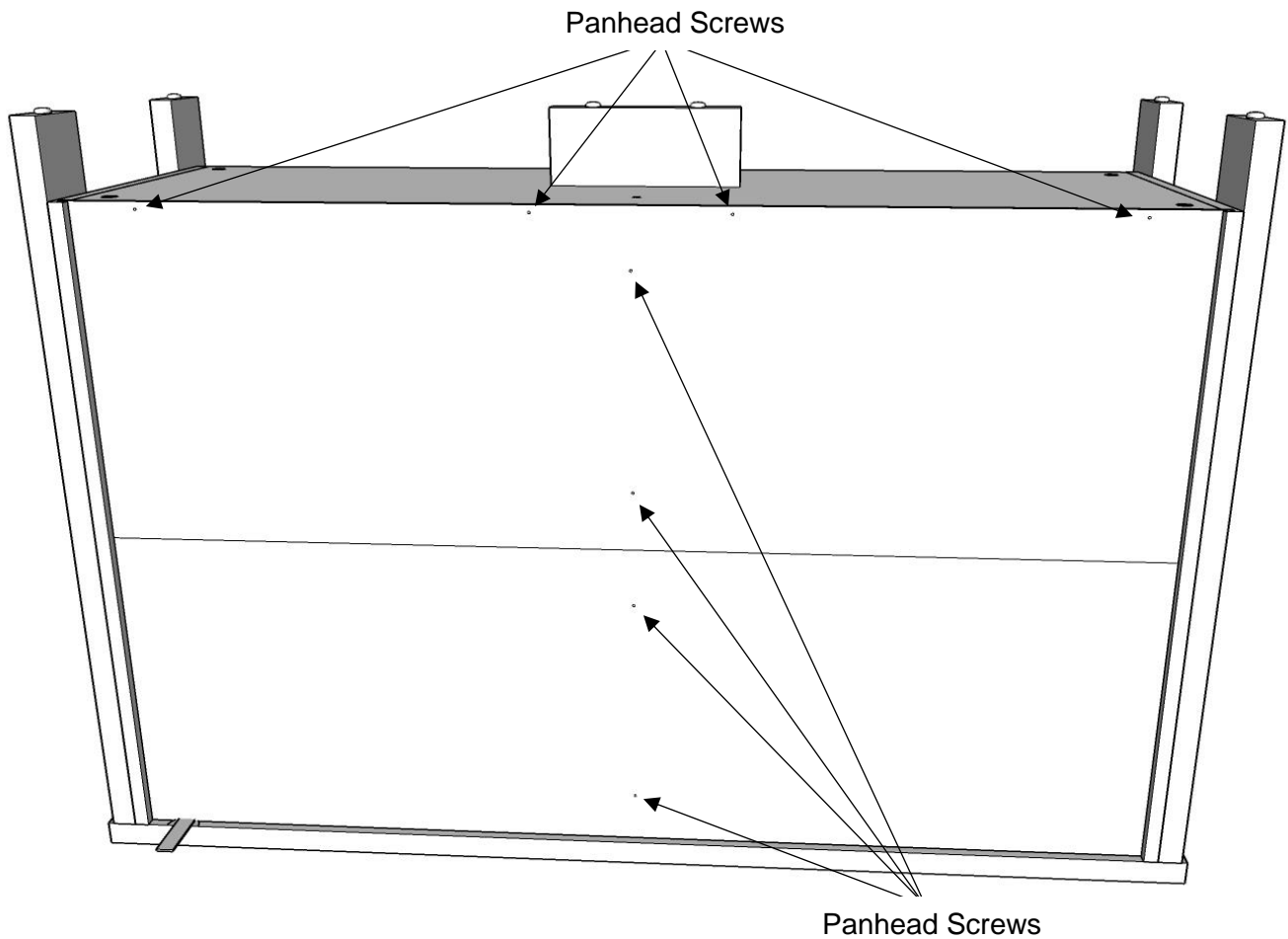
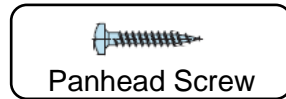
STEP 12: Attach RH End to Top

- Attach the **RH End** to the **Top** by fitting it down over the **Connecting Bolts** installed in the **Top**. Also insert the **Connecting Bolts** in the ends of the **Front Rails** and **Base Shelf**. Then tighten the cams as show on page 5.
- Then install the **Large H5 Screws** into the holes in the centre of the **Shelf**.
- Tap the **Nail on glides** into the base of the **Support Foot** as shown below using a hammer.

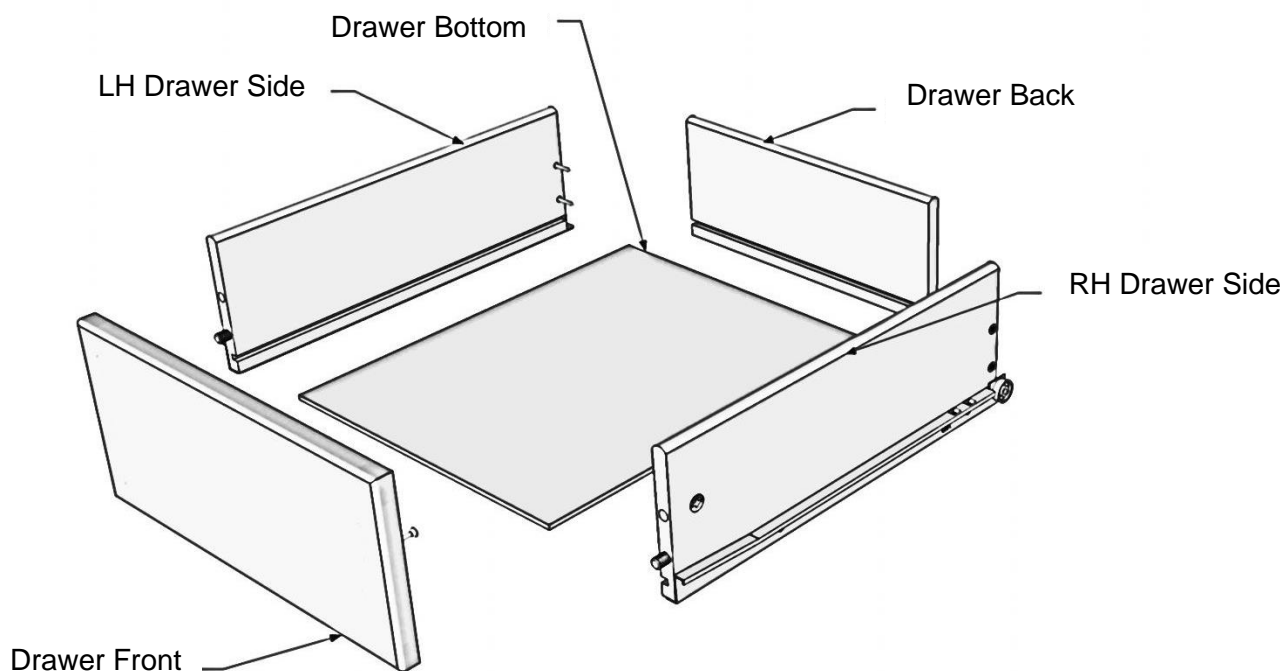


STEP 13: Back Panel

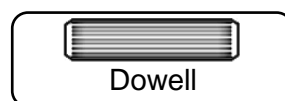
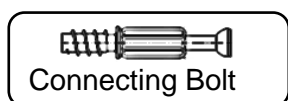
- Unfold the **Back Panel** and slide into place. **Ensure the Back Panel is inserted fully into the groove in the Top so that the bottom edge of the Back Panel is flush with the bottom of the Base Shelf.**
- Using **eight Panhead Screws** provided, secure the **Back Panel** in place using the predrilled holes in the **Back Panel**. Then stand the Lowboy upright.



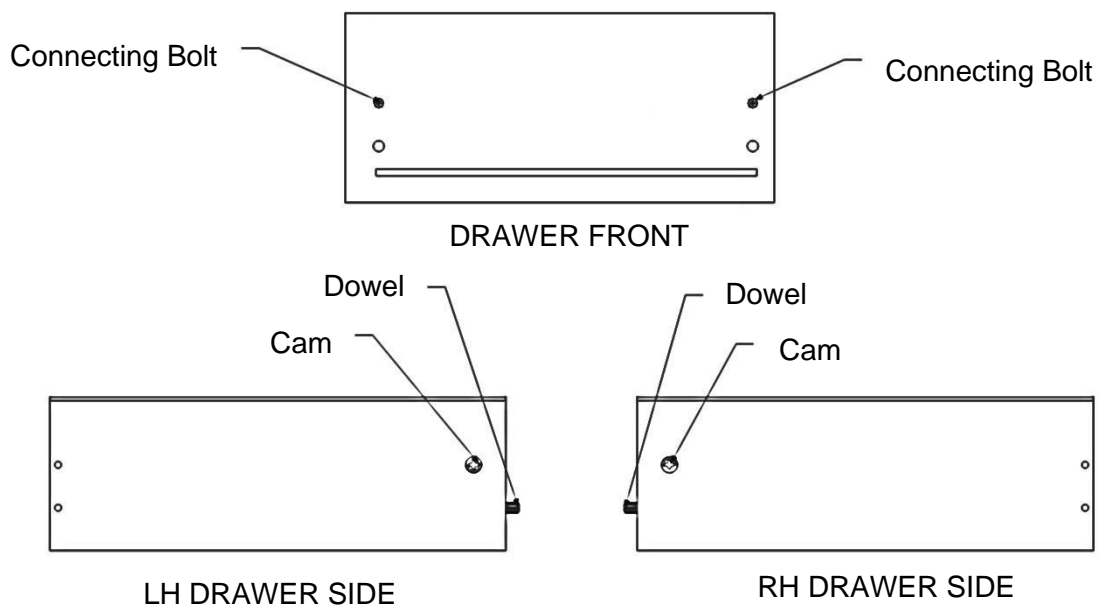
Assemble the Drawers



STEP 14: Install Hardware



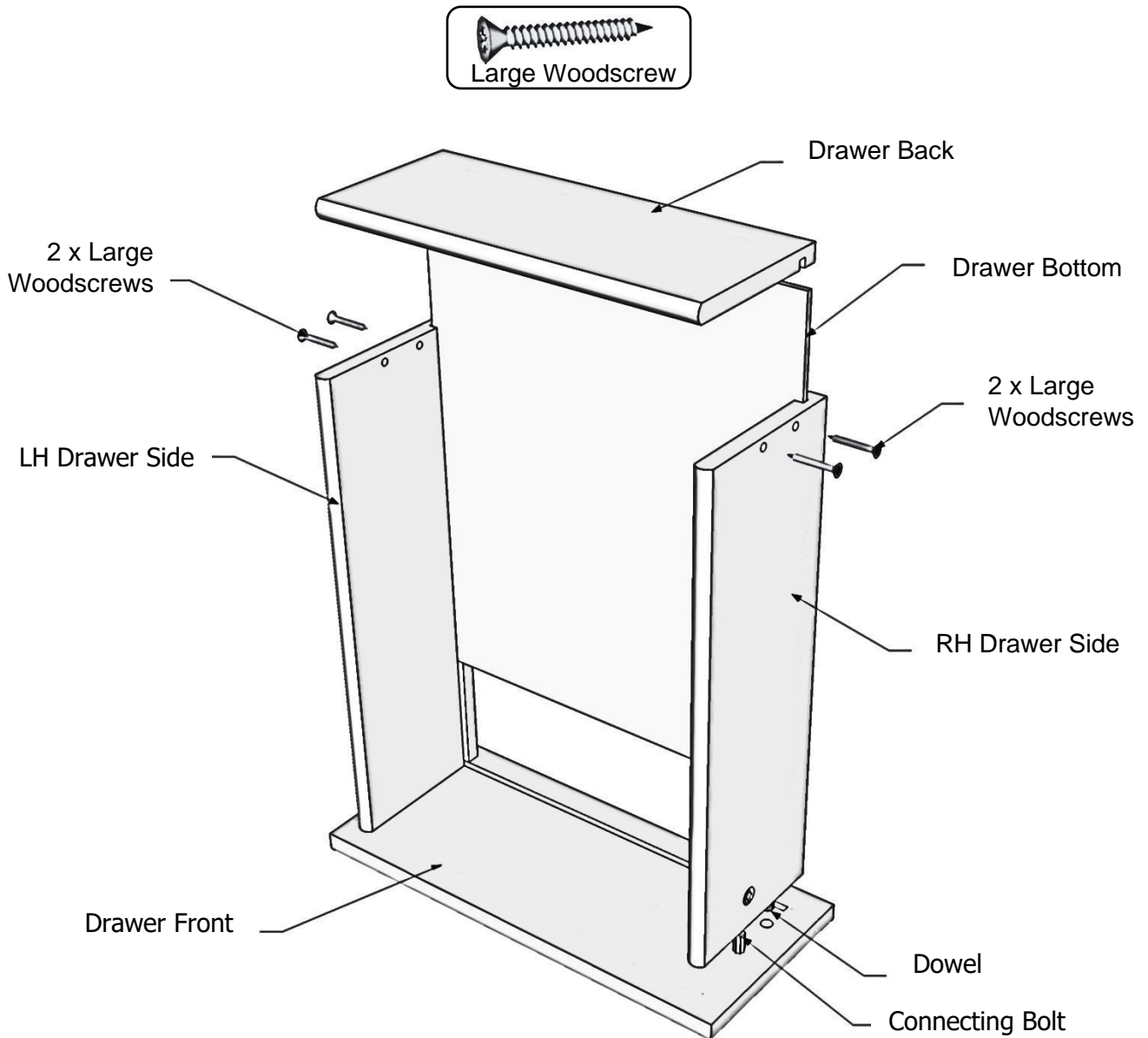
- Install the hardware in the Drawer parts as shown below.



Note: Be sure that the arrow on the **Small Cam** points to the end of the drawer side nearest it.

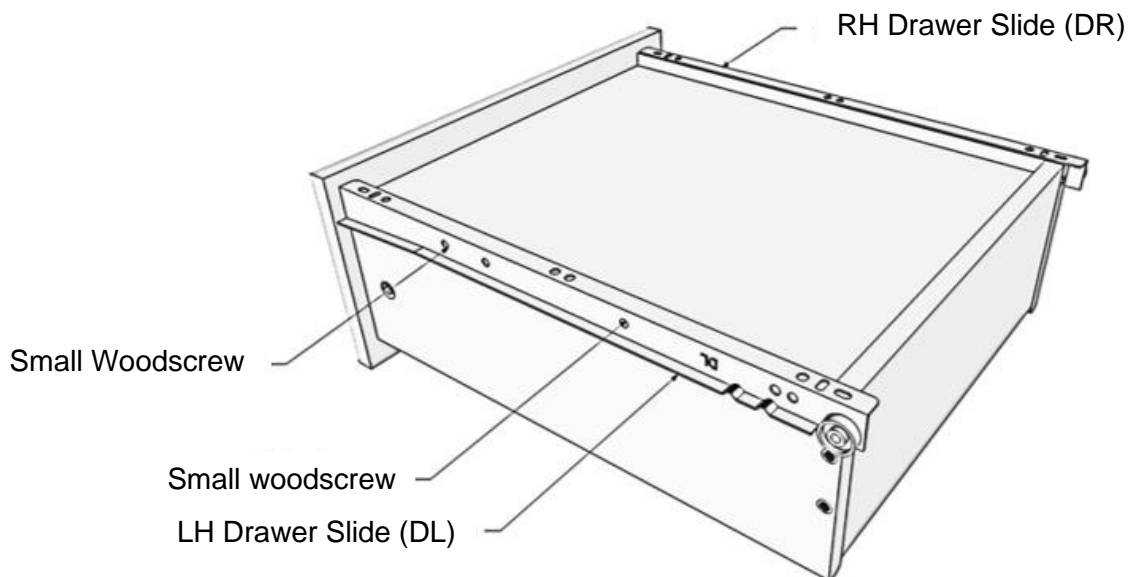
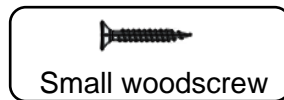
STEP 15: Assemble the Drawers

- Lay the **Drawer Front** laminated side down on a smooth, clean surface.
- Attach the **LH and RH Drawer Sides** by fitting them into place over the **Connecting Bolts** installed in the **Drawer Front**.
- Turn the **Small Cams** in a clockwise direction to lock the **Drawer Sides** in place.
- Slide the **Drawer Bottom** into place in the grooves in the **Drawer Sides** and **Drawer Front**.
- Fit the **Drawer Back** into place between the **Drawer Sides**. The groove in the **Drawer Back** will fit over the end of the **Drawer Bottom**.
- Secure the **Drawer Sides** to the **Drawer Back** with **four Woodscrews** as shown below.
- Repeat this step for all 6 drawers.



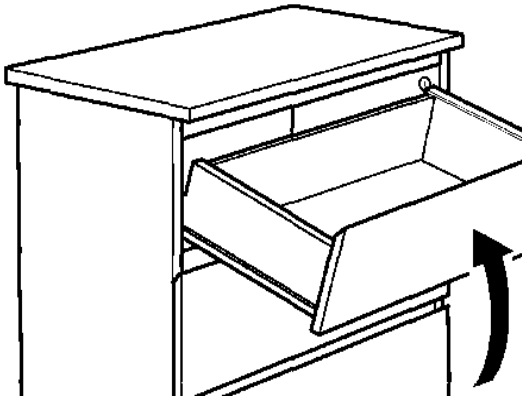
STEP 16: Attach the Drawer Slides

- Turn the drawer upside-down as shown and attached the **Drawer Slides** (DL and DR) with the **four Small Woodscrews** as shown below. Ensure that the **Ends** of the slides without the wheels are hard up against the back of the **Drawer Front**. **Each slide requires two screws.**
- Repeat this step for all six drawers.

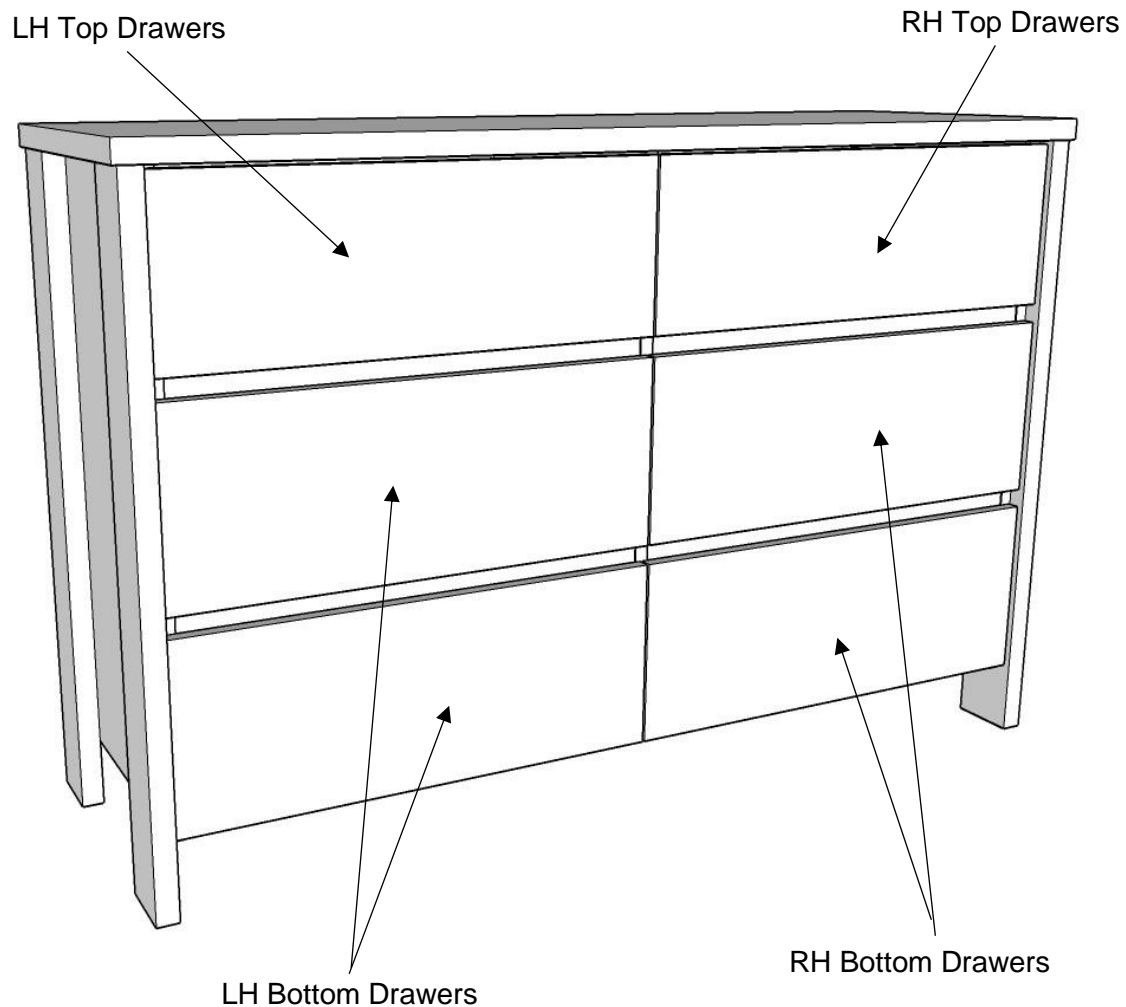


STEP 17: Insert the Drawers

- Fit the drawers into the Lowboy. Make sure that the rollers at the back of the drawer go behind the front rollers in the cabinet and into the channel of the drawer slide. It helps to lift the front of the drawer up a little when doing this.
- The LH and RH side drawers are different so ensure the correct one goes in the correct side.



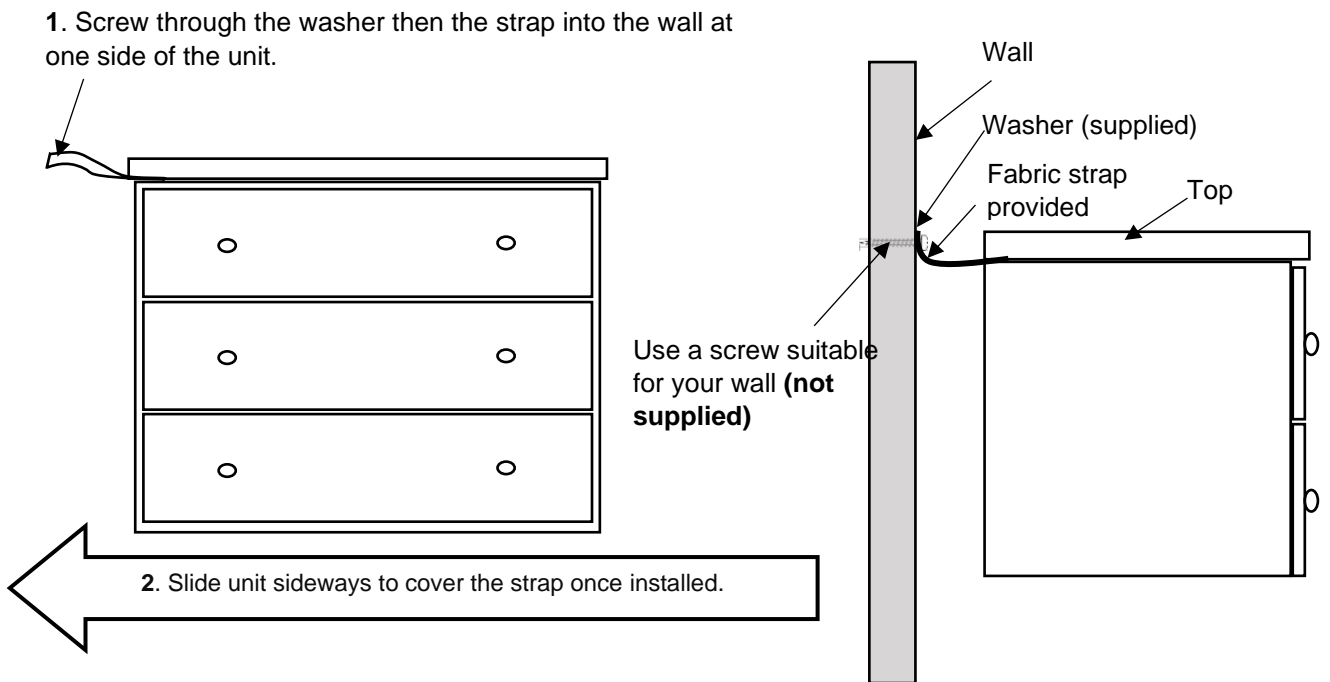
Angle the drawer slightly to ensure that the wheel at the back of the drawer slide goes behind the front wheel on the cabinet slide. Then lift the drawer up and slide it into the channel of the drawer slide.



STEP 18: Fix Your Unit to the Wall

Compac Furniture strongly recommends using a safety strap on all furniture, especially if small children are around.

Secure your unit to the wall using the Safety Strap and a screw suitable for your wall (**not supplied**). We recommend you screw into a stud. If you cannot locate a stud, use a wall anchor appropriate for your wall.



Please note: This is a precautionary measure. The use of tip-over restrains may only reduce but not eliminate, the risk of tip over. Compac Furniture can take no responsibility.

Congratulations, your Waipoua 6 Drawer lowboy is now complete.

Thank you for supporting New Zealand Made furniture.



LIVING & CO[®]

WARRANTY

We pride ourselves on producing a range of quality products that are both packed with features and completely reliable.

We are so confident in our products, we back them up with a five-year warranty. Now you too can relax knowing that you are covered.

For parts and assistance, call the manufacturer direct on 0800 100 858. Please do not call the store you purchased the cabinet from as they will be unable to help you.

This product is covered by five-year warranty when accompanied by proof of purchase.



5 YEAR
WARRANTY