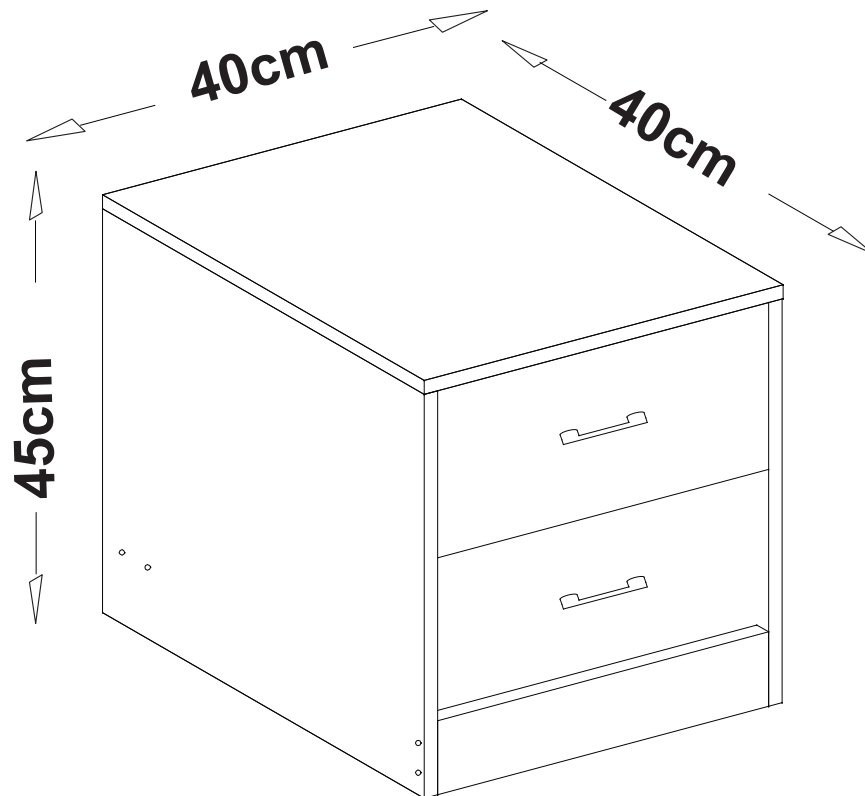


living & co.

MADRID 2 DRAWER BEDSIDE TABLE



INSTRUCTION MANUAL

Maximum weight on top: 20kgs

Maximum weight for each drawer: 5kgs

AFTER SALES SUPPORT

 **NZ** 0800 422 274

Assembly Details

30 mins

Approximate Assembly Time



2 person assembly

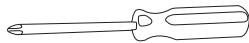
Floor Area:

3x3 meters



Required Assembly Space

Phillips-Head Screwdriver



Required Assembly Tools

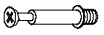



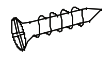

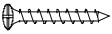


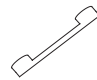
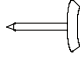



Tips Before you Start

1. Please check that all parts are present before you start the assembly of your furniture.
2. For ease and speed of assembly, we recommend that before you commence each step of the assembly, that you identify all the parts required for that step.
3. For larger items, please ensure that you have sufficient space and people (as indicated on page 1) to assemble your product safely.
4. We recommend that, where possible, all items are assembled near to the area in which they will be placed in use, to avoid moving the product unnecessarily once assembled.
5. For the protection of your furniture, we recommend that the product is placed on a protected surface during assembly to prevent any damage.
6. During assembly please take care not to overtighten any fittings, this may damage the product. Do not use power tools.
7. Always place the product on a flat, steady and stable surface.
8. Do not stand on the product. Do not use the product as a stepladder.
9. This product is intended for indoor, household use only as it is a nonindustrial product.
10. Please use caution and care when lifting the product to avoid personal injury and/or product damage.

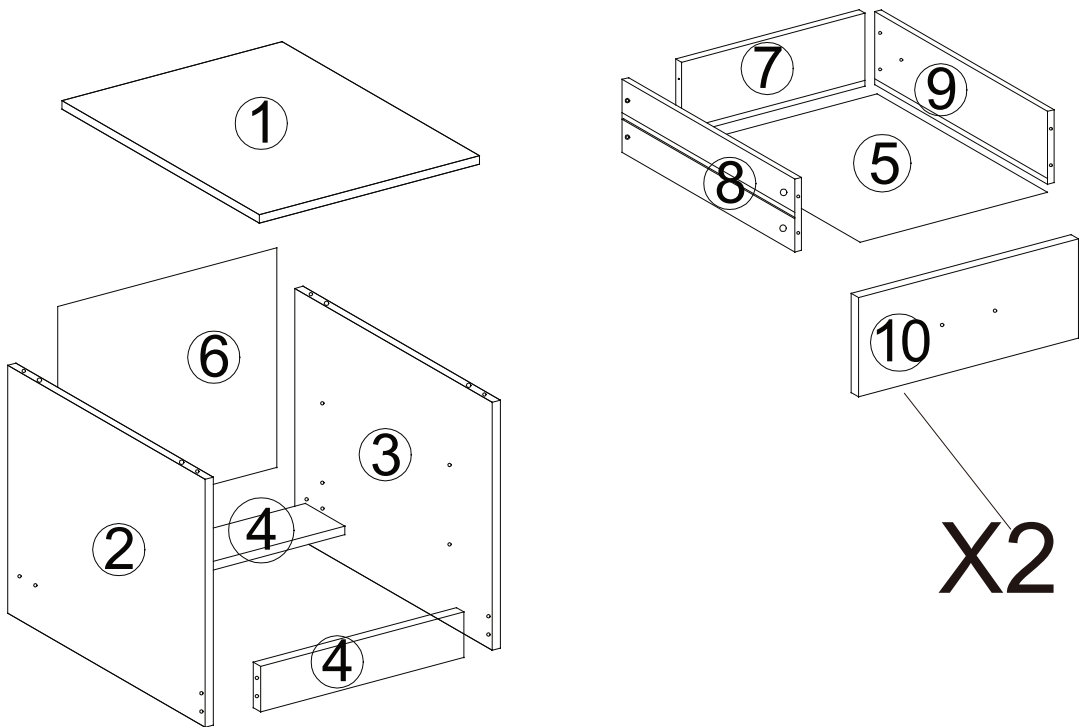
Care and Maintenance

- ✓ Please periodically check all things and retighten as necessary.
- ✓ To clean your item, please use a damp cloth and wipe clean.
- ✓ Never allow any kind of liquid to remain on your furniture.
Absorption can cause wood to warp or finishes to de-laminate.
- ✓ Please do not place hot items (eg. hot drinks) directly on to the surface.
- ✓ Please do not drag and pull your furniture.

Hardware List

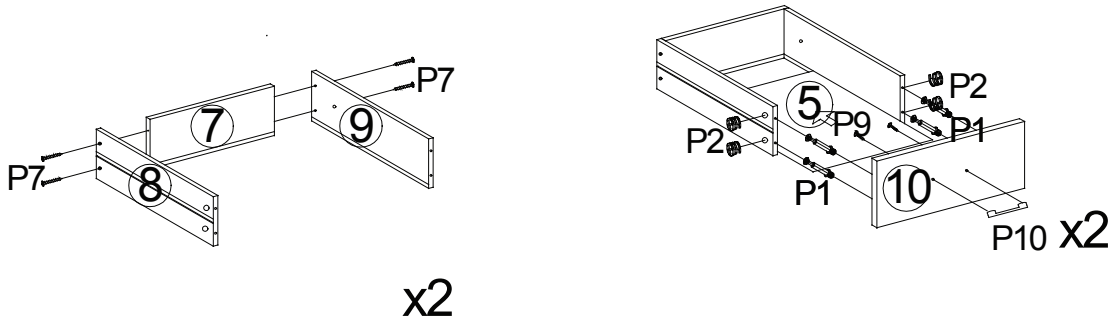
<p>P1 X12</p>  <p>∅ 5mmX35mm</p>	<p>P2 X12</p> 	<p>P3 X8</p> 	<p>P4 X4</p>  <p>∅ 5.8X30mm</p>	<p>P5 X8</p>  <p>M3.5x12mm</p>	<p>P6 X4</p> 
<p>P7 X16</p>  <p>M4X35mm</p>	<p>P8 X8</p>  <p>20mm</p>	<p>P9 X4</p>  <p>M5X20mm</p>	<p>P10 X2</p> 	<p>P11 X4</p> 	<p>P12 X4</p> 
<p>Tools required</p>   <p>Phillips screwdriver Hammer</p>					

Parts List

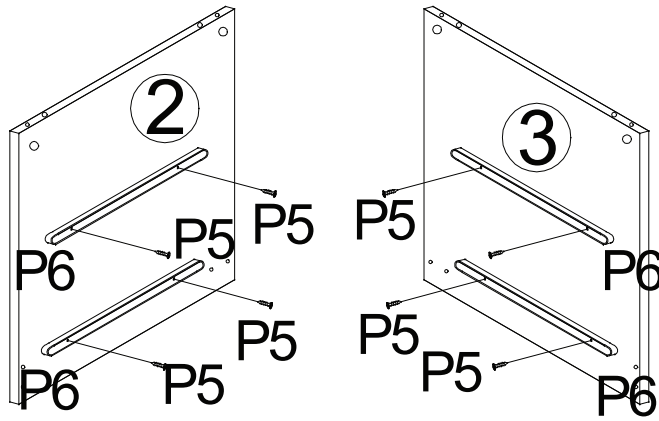


Assembly

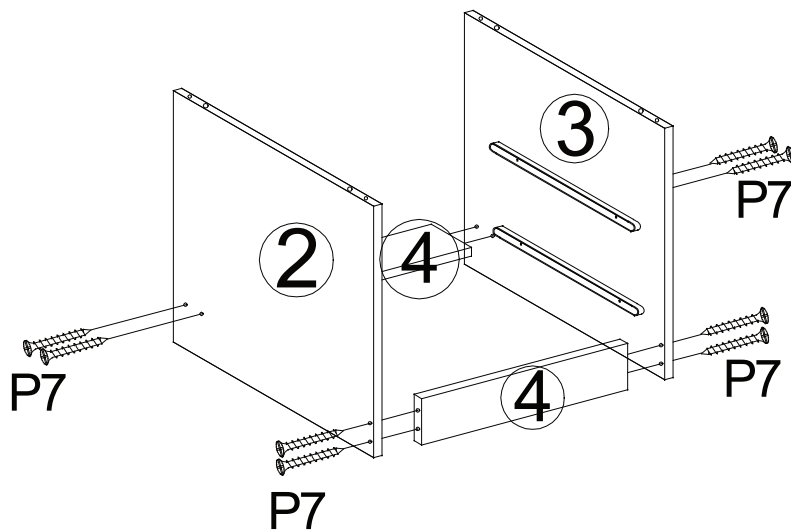
STEP 1



STEP 2

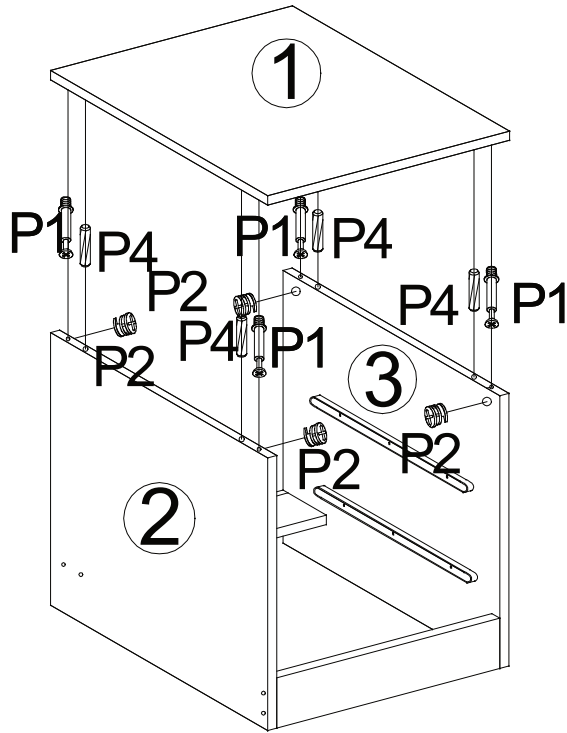


STEP 3

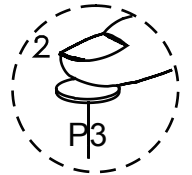
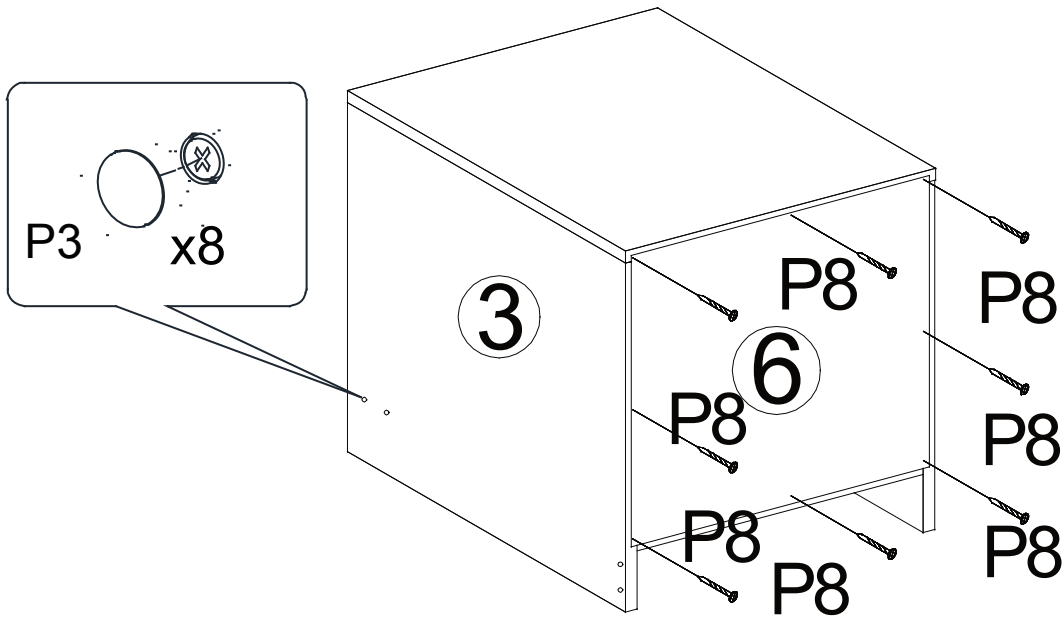


Assembly

STEP 4

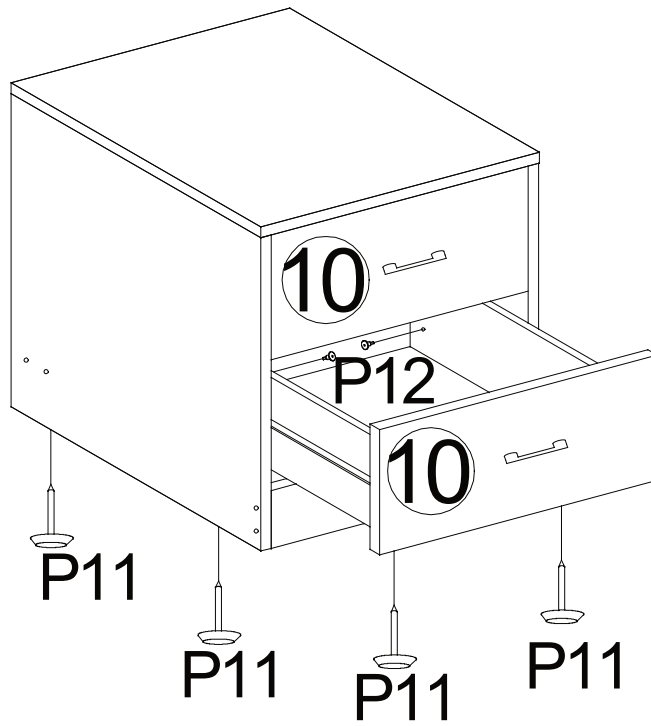


STEP 5

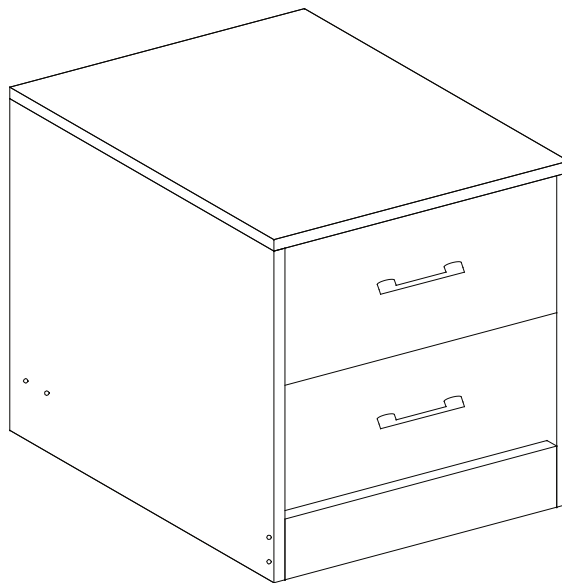


Assembly

STEP 6



STEP 7





living & co.

Warranty

We pride ourselves on producing a range of quality products that are both packed with features and completely reliable. We are so confident in our products, we back them up with a one-year warranty. Now you too can relax knowing that you are covered.

Customer Helpline NZ: 0800 422 274
This product is covered by 1 year warranty
when accompanied by proof of purchase.

AFTER SALES SUPPORT

 **NZ** 0800 422 274

