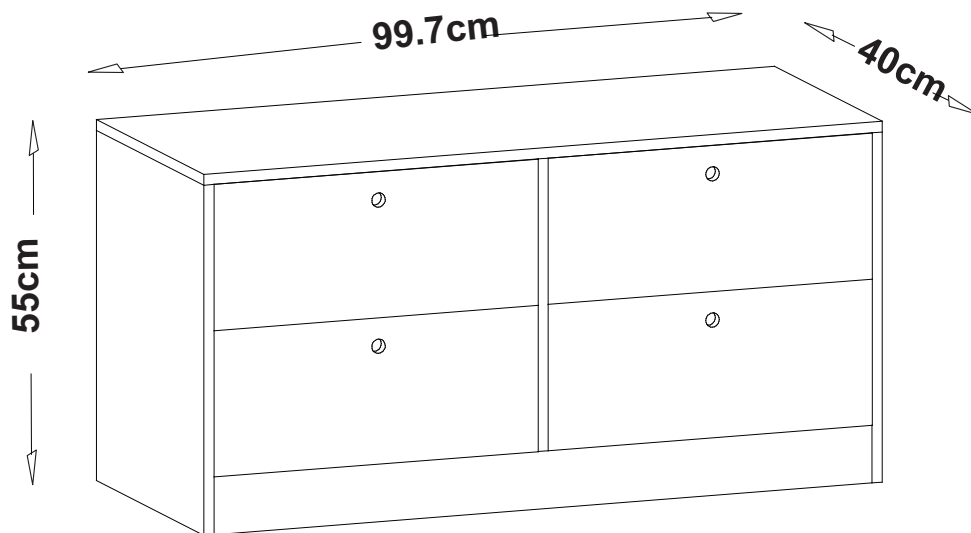


# living & co.

## PANDI 4 DRAWER CHEST



### INSTRUCTION MANUAL

Maximum weight on top: 40kgs

Maximum weight per drawer: 5kgs

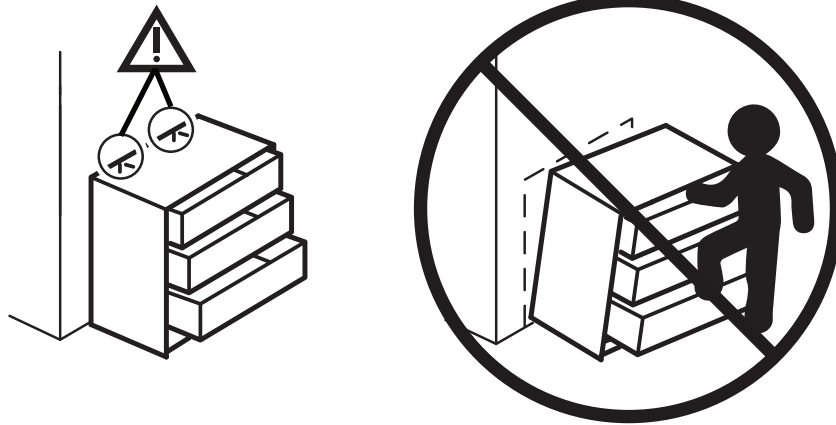
---

AFTER SALES SUPPORT

  0800 422 274






## Important Safety Instructions



Serious or fatal crushing injuries can occur from furniture tipping over. Use of tip over restraints may reduce, but not eliminate the risk of tip over. To help prevent tip over:

- Place heaviest items in the bottom drawers.
- Unless specifically designed to accommodate, do not set TVs or other heavy objects on top of this product.
- Never allow children to climb or hang off of drawers, doors or shelves.
- Never open more than one drawer at a time.

## Assembly Details

<p><b>30</b> mins</p> <p>Approximate Assembly Time</p>	<p></p> <p>1 person assembly</p>	<p>Floor Area:</p> <p><b>2x2</b> meters </p> <p>Required Assembly Space</p>
<p>Phillips-Head Screwdriver</p> <p></p> <p>Required Assembly Tools</p>		

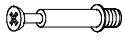

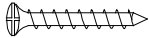

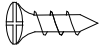
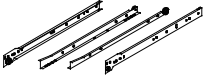


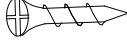
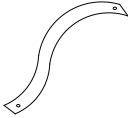
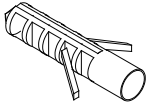

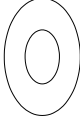


## Tips Before you Start

1. Please check that all parts are present before you start the assembly of your furniture.
2. For ease and speed of assembly, we recommend that before you commence each step of the assembly, that you identify all the parts required for that step.
3. For larger items, please ensure that you have sufficient space and people (as indicated on page 1 ) to assemble your product safely.
4. We recommend that, where possible, all items are assembled near to the area in which they will be placed in use, to avoid moving the product unnecessarily once assembled.
5. For the protection of your furniture, we recommend that the product is placed on a protected surface during assembly to prevent any damage.
6. During assembly please take care not to overtighten any fittings, this may damage the product. Do not use power tools.
7. Always place the product on a flat, steady and stable surface.
8. Do not stand on the product. Do not use the product as a stepladder.
9. This product is intended for indoor, household use only as it is a nonindustrial product.
10. Please use caution and care when lifting the product to avoid personal injury and/or product damage.

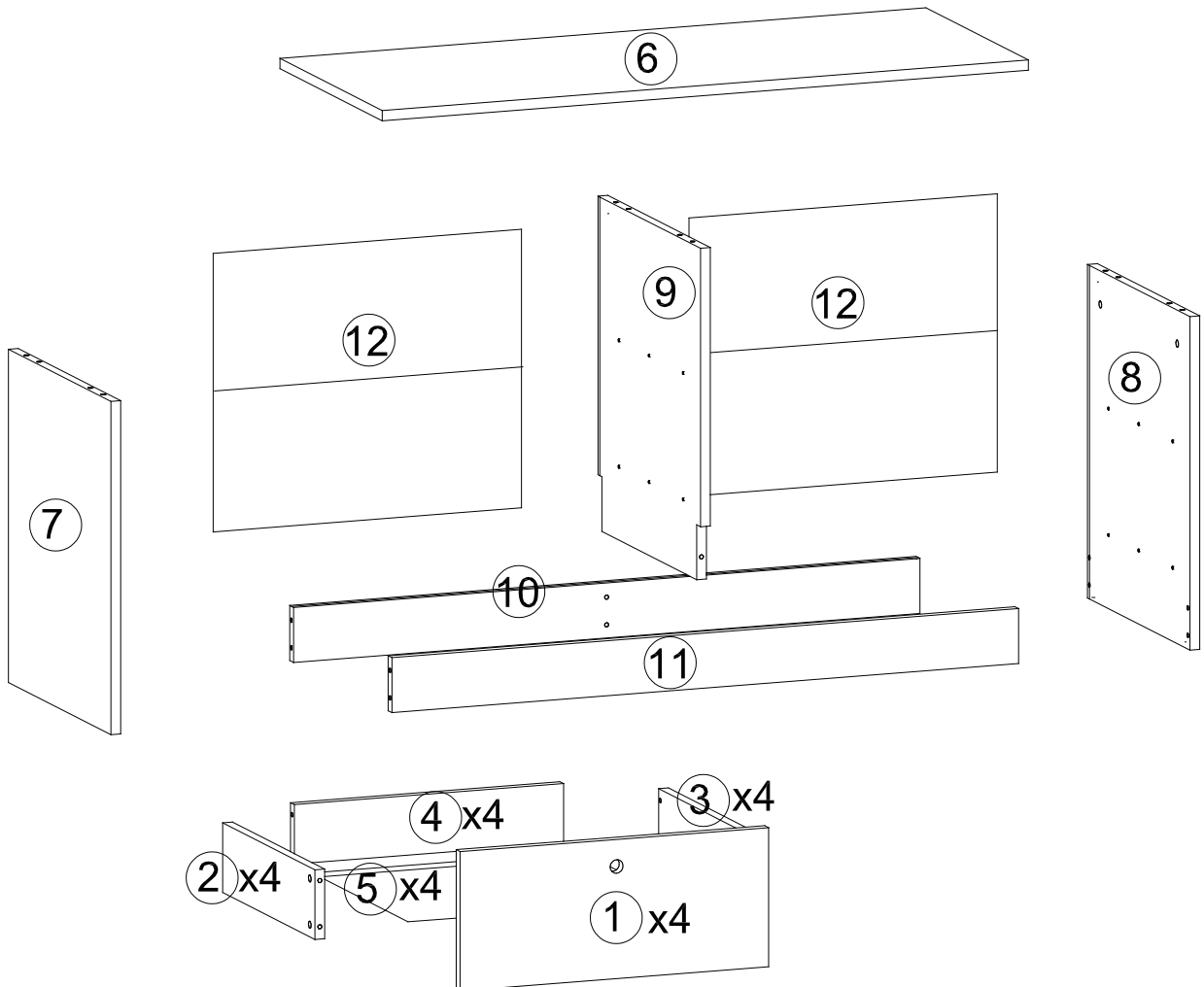
## Care and Maintenance

- ✓ Please periodically check all things and retighten as necessary.
- ✓ To clean your item, please use a damp cloth and wipe clean.
- ✓ Never allow any kind of liquid to remain on your furniture.  
Absorption can cause wood to warp or finishes to de-laminate.
- ✓ Please do not place hot items (eg. hot drinks) directly on to the surface.
- ✓ Please do not drag and pull your furniture.

# Hardware List

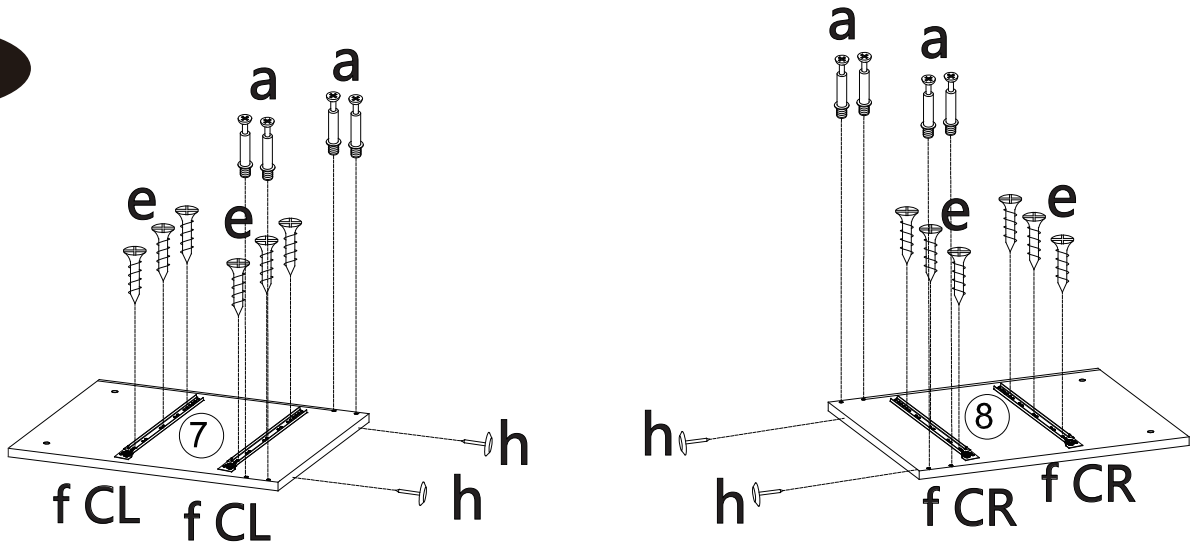
aX31 	bX31 	cX20  M4X35mm	dX6  M6X30mm	eX48  M3X12mm
fX4  CLDLDRCR	gX6 	hX6 	iX6  M3X16mm	jX2 
kX2 	lX2 	mX4 	Tools required   Phillips screwdriver    Hammer	

# Parts List

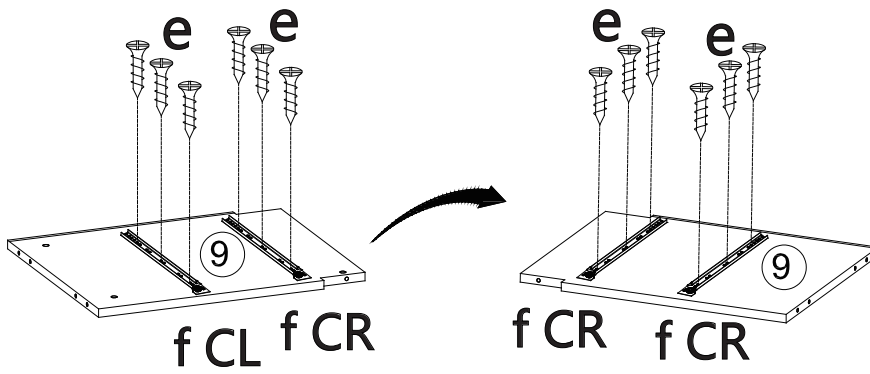


# Assembly

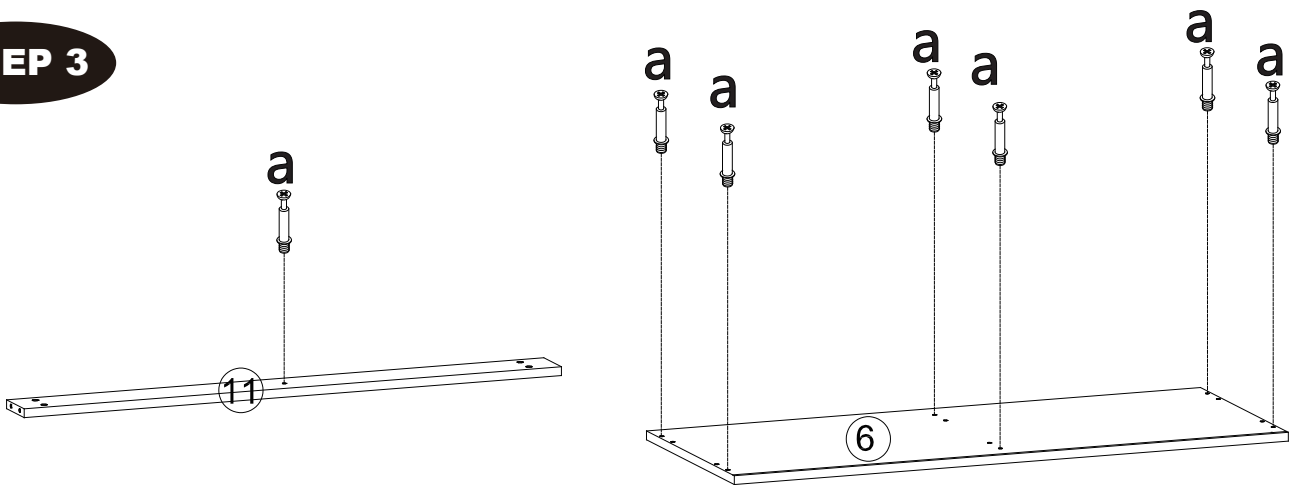
## STEP 1



## STEP 2

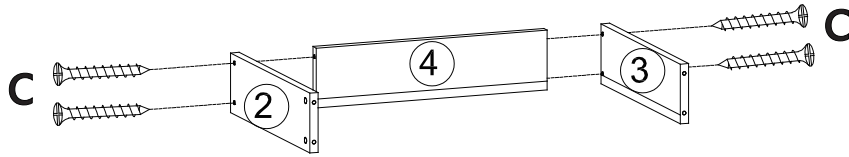


## STEP 3



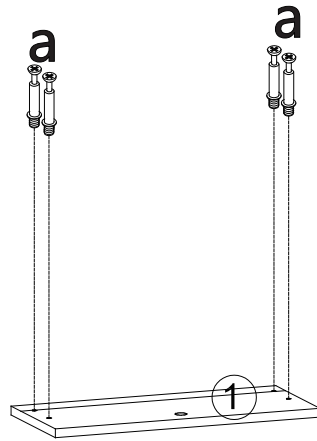
# Assembly

## STEP 4



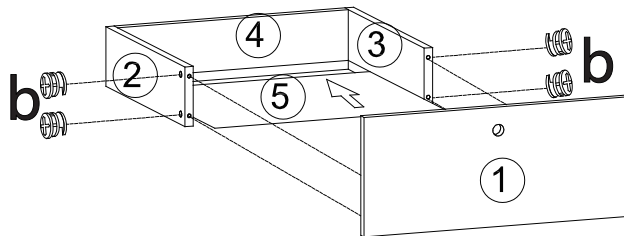
x4

## STEP 5



x4

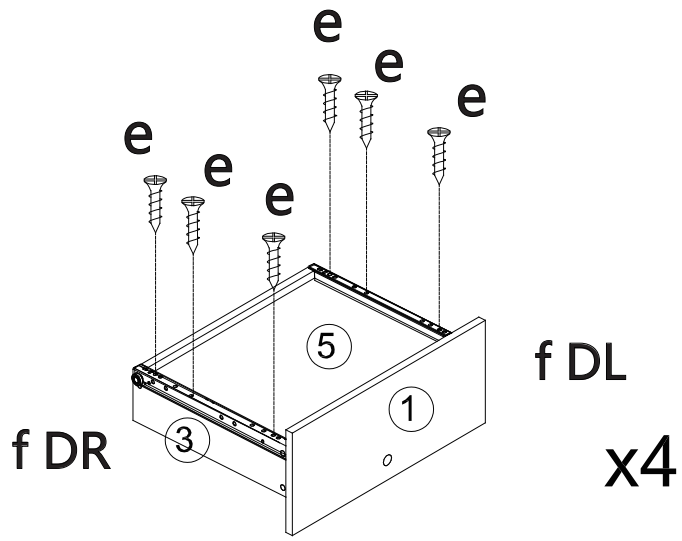
## STEP 6



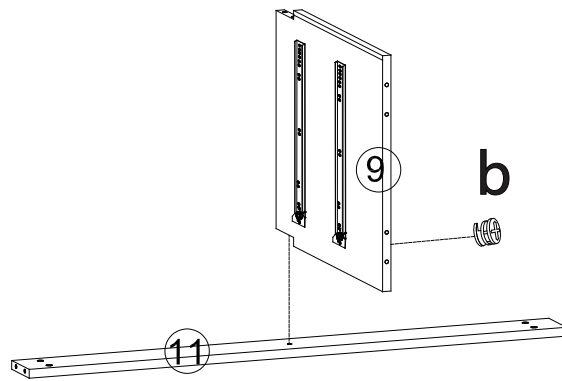
x4

# Assembly

## STEP 7



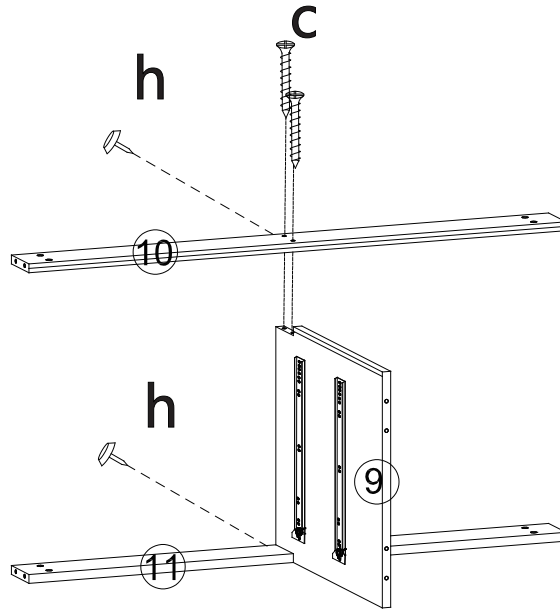
## STEP 8



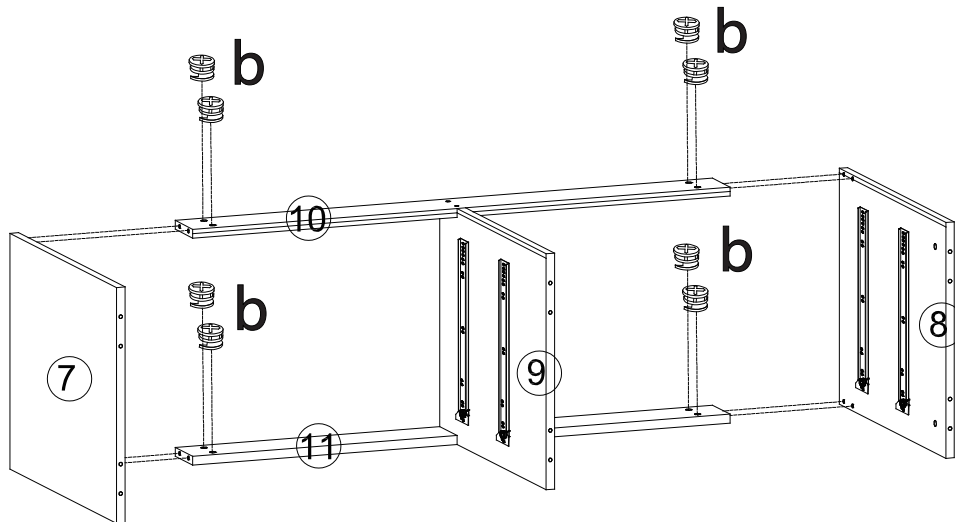


# Assembly

## STEP 9

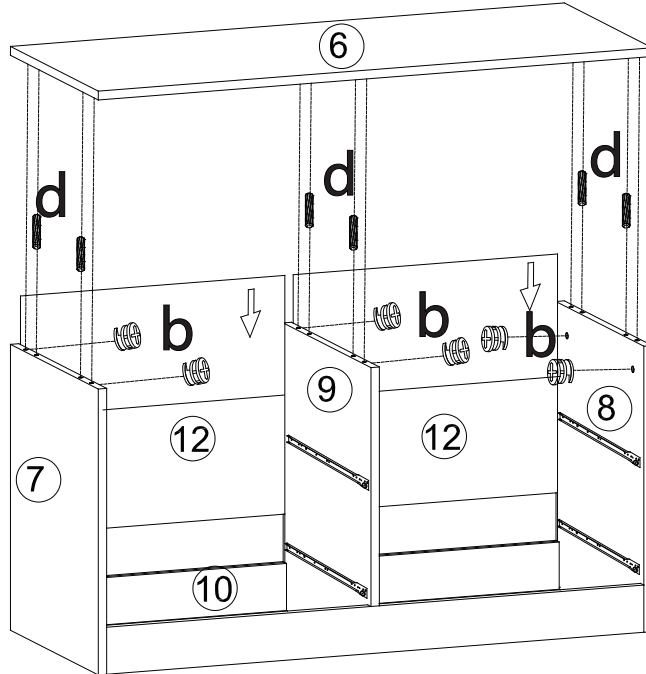


## STEP 10

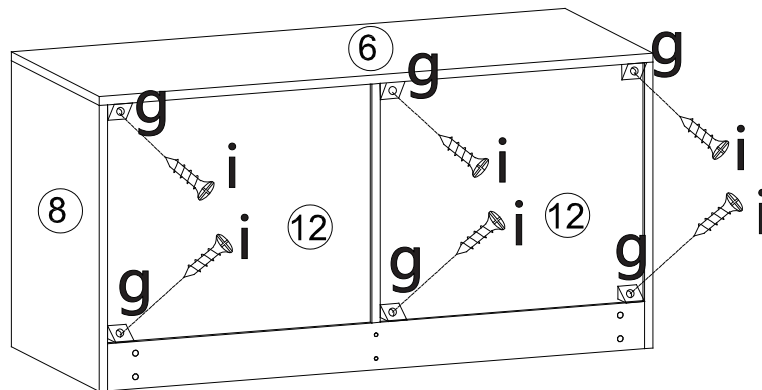


# Assembly

## STEP 11

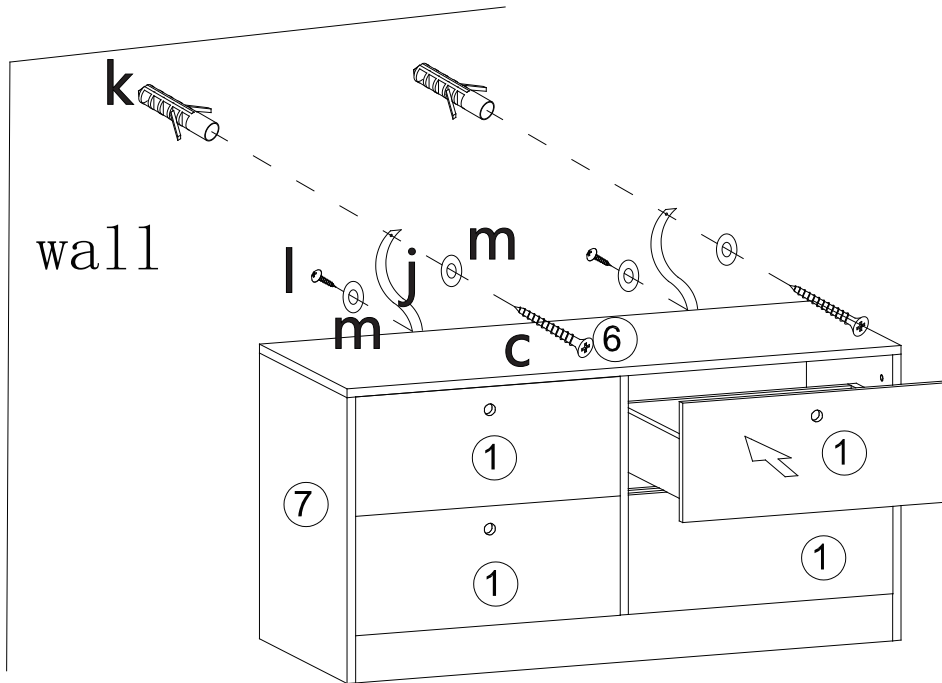


## STEP 12

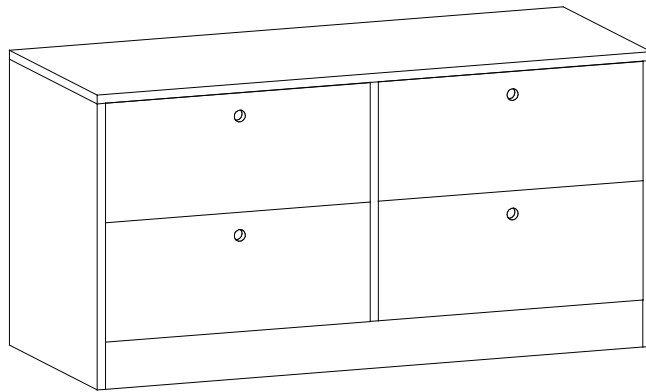


# Assembly

## STEP 13



## STEP 14





**living & co.**

### **Warranty**

We pride ourselves on producing a range of quality products that are both packed with features and completely reliable. We are so confident in our products, we back them up with a one-year warranty. Now you too can relax knowing that you are covered.

Customer Helpline NZ: 0800 422 274  
This product is covered by 1 year warranty  
when accompanied by proof of purchase.

---

**AFTER SALES SUPPORT**

  **0800 422 274**