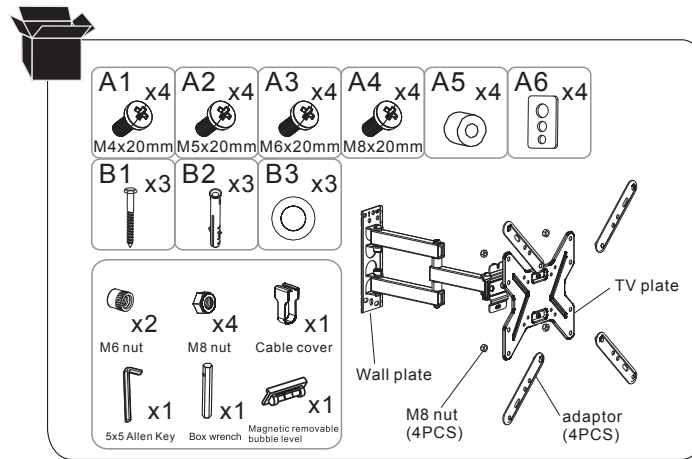
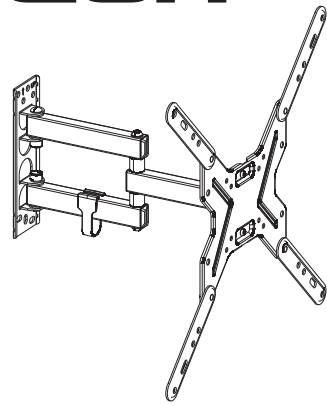




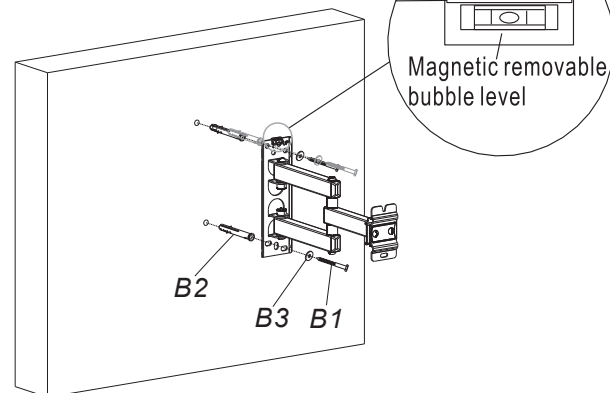
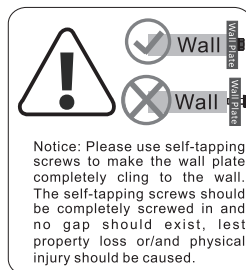
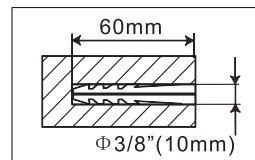
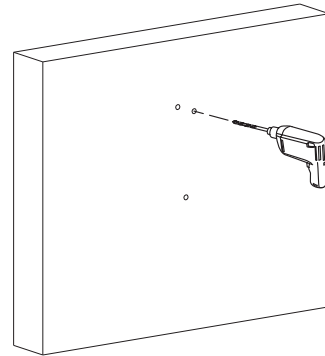
Model No.:PSW831A

Installation guide



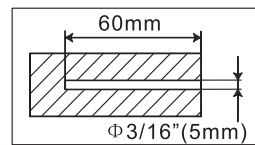
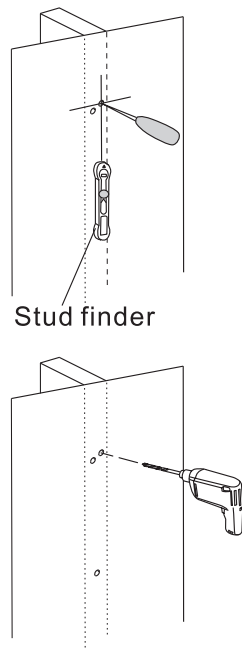
STEP1-A

EN Solid concrete mounting

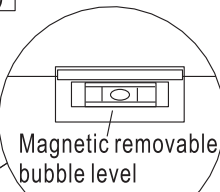


STEP1-B

EN Wood Stud Mounting



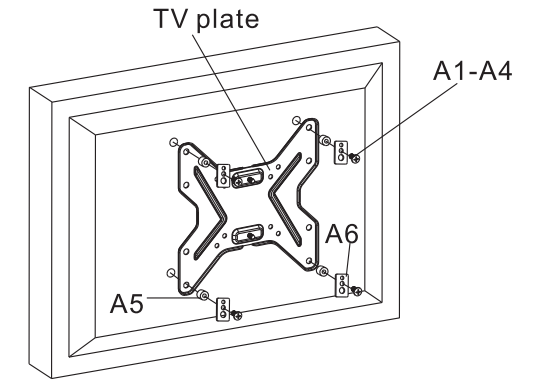
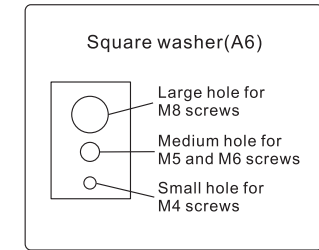
Stud finder



STEP2-A

EN Attaching the VESA plate to the monitor

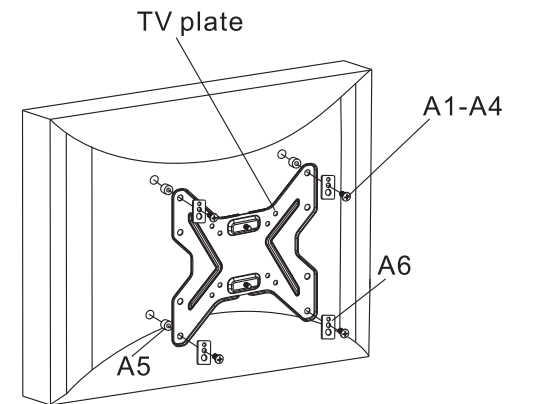
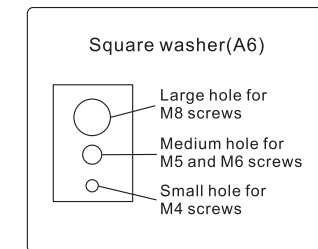
For TVs with a flat back



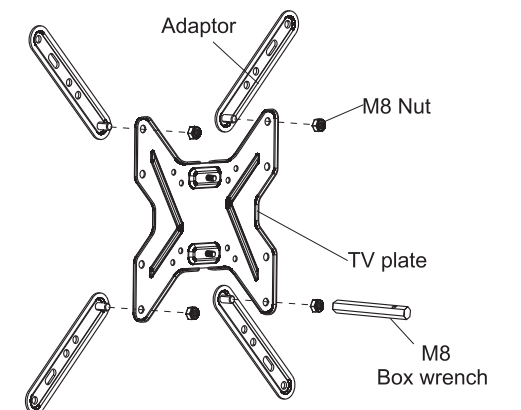
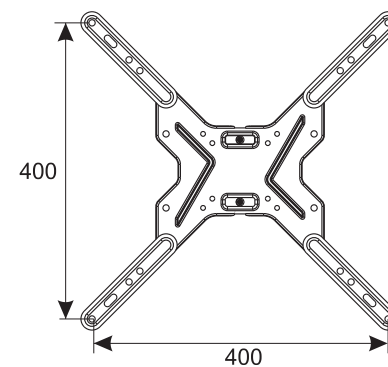
If the bolt A1-A4 is too long, please add A5 at the rear of the TV plate.

STEP2-B

For TVs with a curved back or obstruction

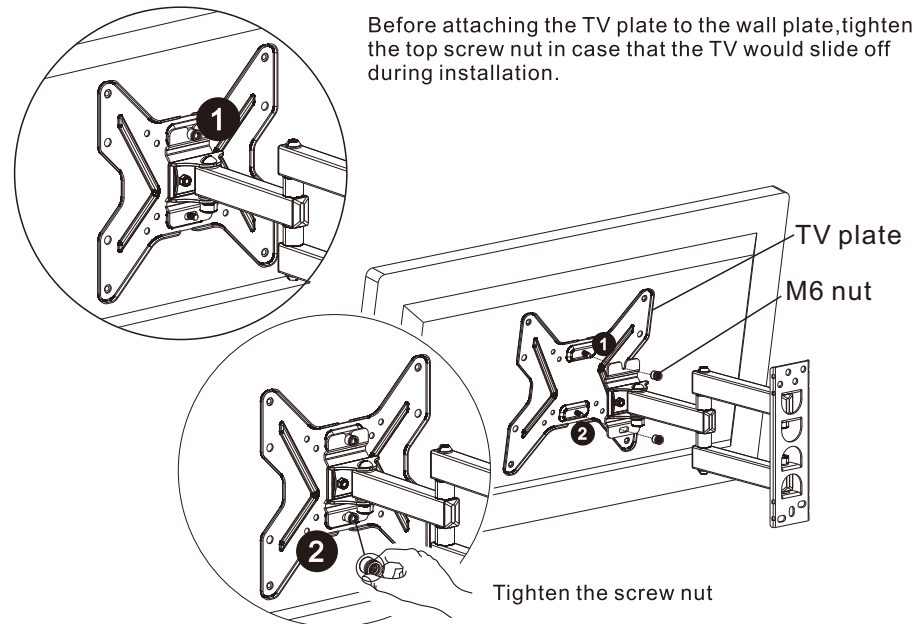


If the LED hole pattern is larger than the TV Plate, you are required to use the Adaptors to install.

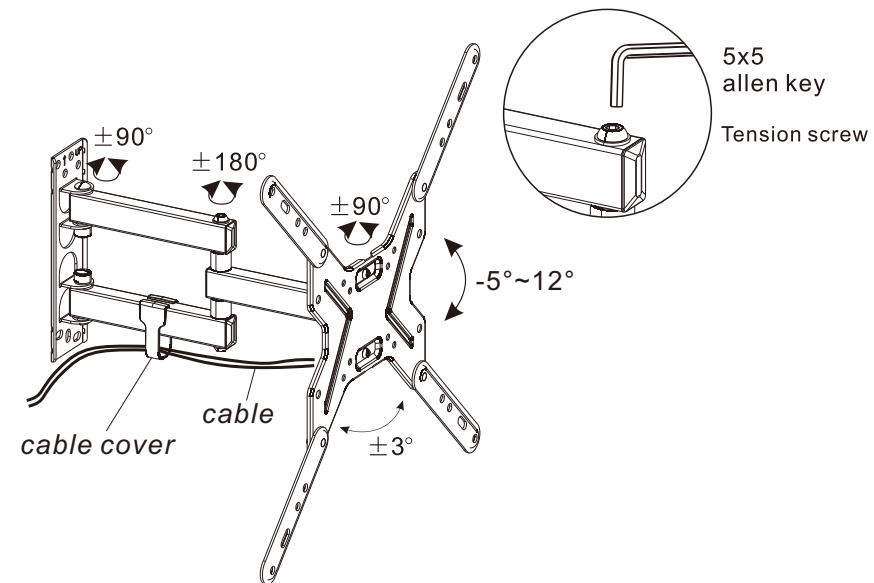


STEP 3

EN Hang the TV onto the wall plate



STEP 4



CAUTION

This product contains small items that could be a choking hazard if swallowed. Keep these items away from young children.

• Make Sure these instructions are read and completely understood before attempting installation. If you are unsure of any part of this installation, please contact a professional installer for assistance.

- The wall or mounting surface must be capable of supporting the combined weight of the mount and the display, otherwise the structure must be reinforced.
- Safety gear and proper tools must be used. A minimum of two people are required for this installation. Failure to use safety gear can result in property damage, serious injury or death.
- please check joint parts every two months, making sure the screws are loosened or not.

This product was designed to be installed on wood stud walls and solid concrete walls. Before installing, make sure the wall will support the combined load of the equipment and hardware. Never exceed the maximum load capacity 25 KG, or else it may result in product failure or personal injury.

Note: this product is intended for indoor use only. Use of this product outdoors could lead to product failure or personal injury.

Warning:

For the sake of safety, please use accessory plastic expansion tube and screws.