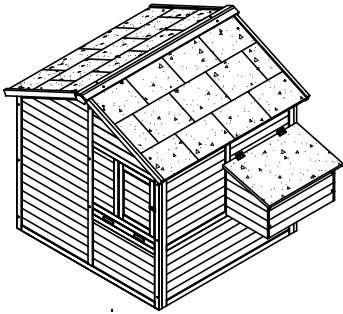


# Chicken Coop Assembly Instructions

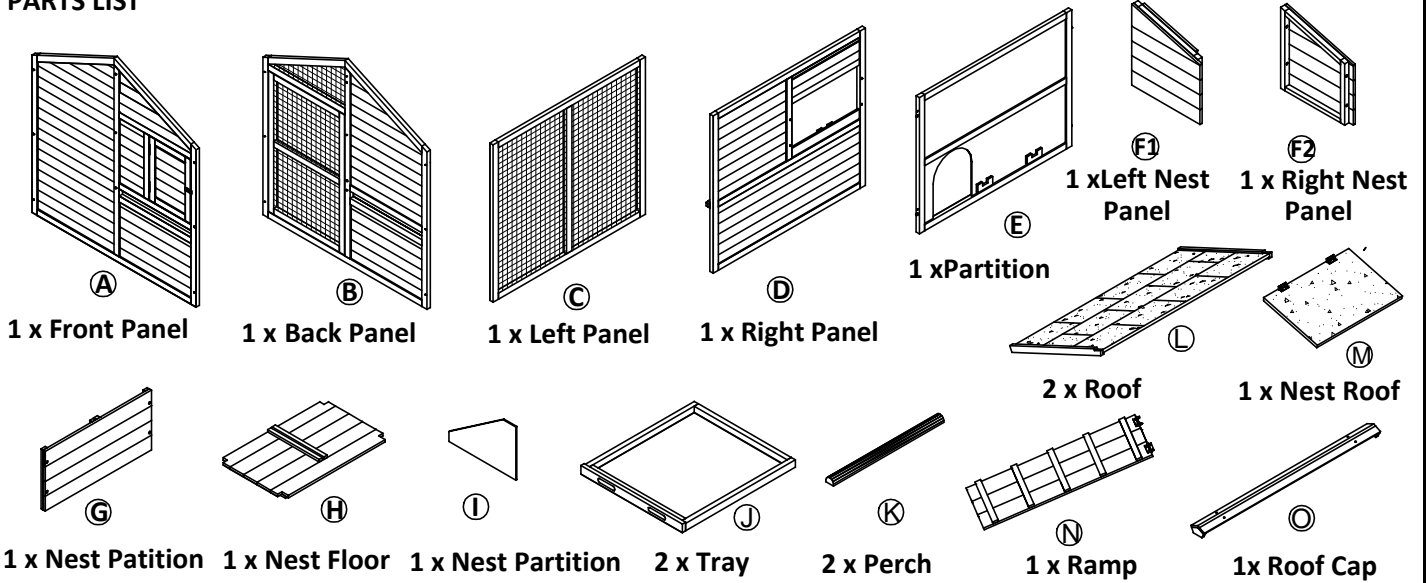


2 Person Assembly

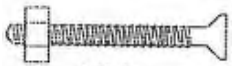
Approximate Assembly Time

50 MINUTES

## PARTS LIST



Parts stamped on the back corner with the corresponding letter to assist assembly



8 x P1 (6x50mm)



18 x P2(4.0x45mm)  
(1 Extra)



8 x P3(3.5x35mm)  
(1 Extra)



4 x P4 (3.5x25mm)  
(1 Extra)



8 x P5 (3x16mm)  
(1 Extra)

*Medium Phillip's screwdriver required for assembly.*

**STEP 1 – Attach the front , right and partition panels using 6xP2.(Fig. 1)**

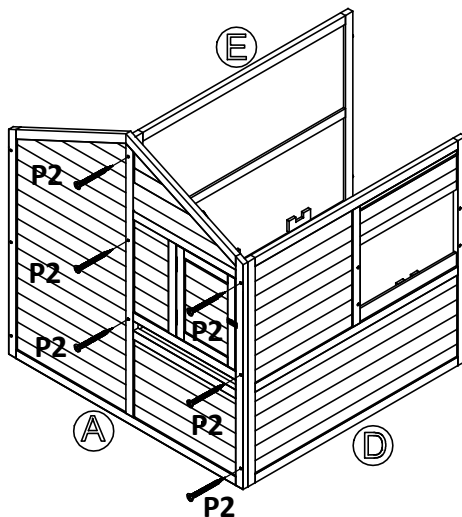


Fig. 1

**STEP 2 - Attach the back panel using 6xP2. (Fig. 2)**

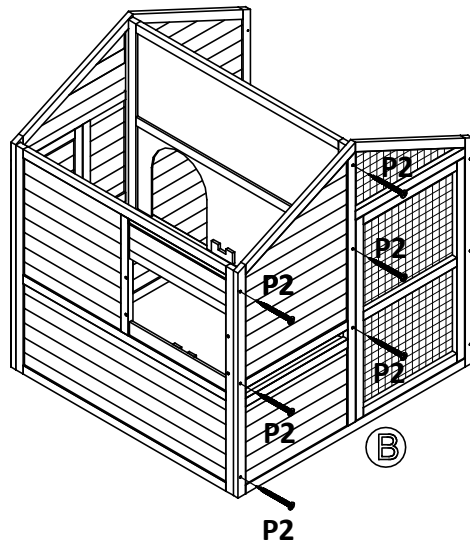


Fig. 2

**STEP 3 – Attach the nest side and front panels using 8xP1. (Fig. 3)**

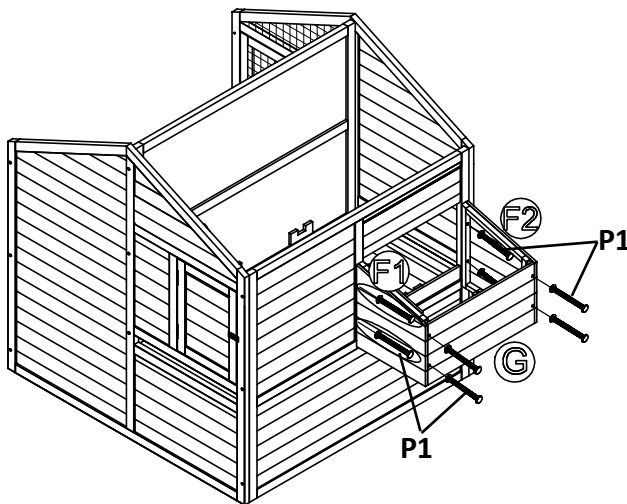


Fig. 3

**STEP 4 – Insert the tray, and drop in the perch x2.  
Drop in the nest floor panel.  
Drop in the nest partition and insert the nest roof. (Fig. 4)**

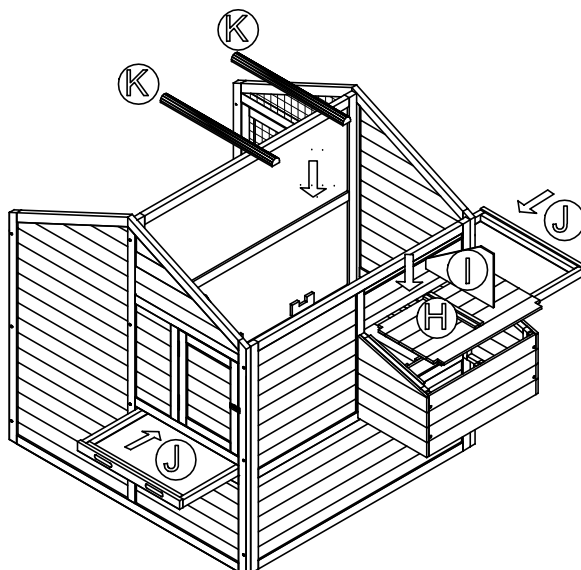


Fig. 4

**STEP 5 – Assemble the ramp using 4xP5.**

**(Fig. 5)**

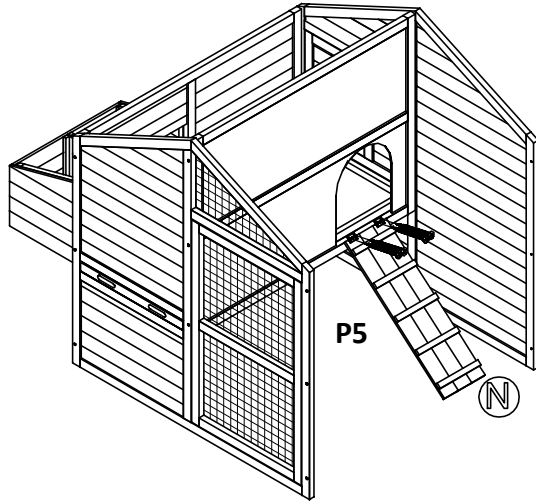


Fig. 5

**STEP 6 – Assemble the left panel using 6xP2. (Fig. 6)**

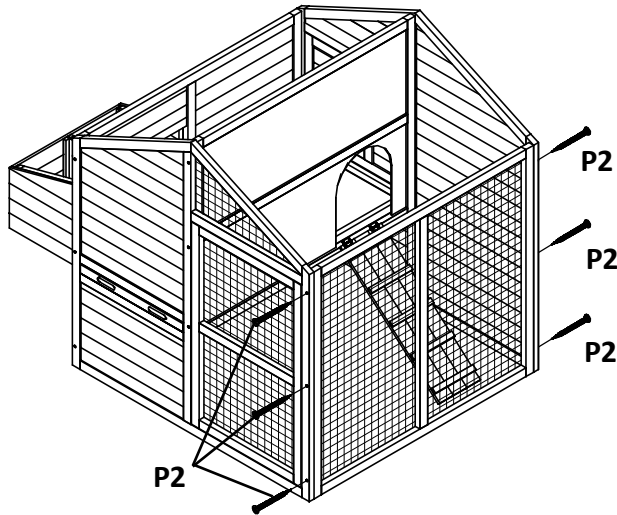


Fig. 6

**STEP 7 – Assemble the roof using 8xP3. Assemble the nest roof using 4xP5. (Fig. 7)**

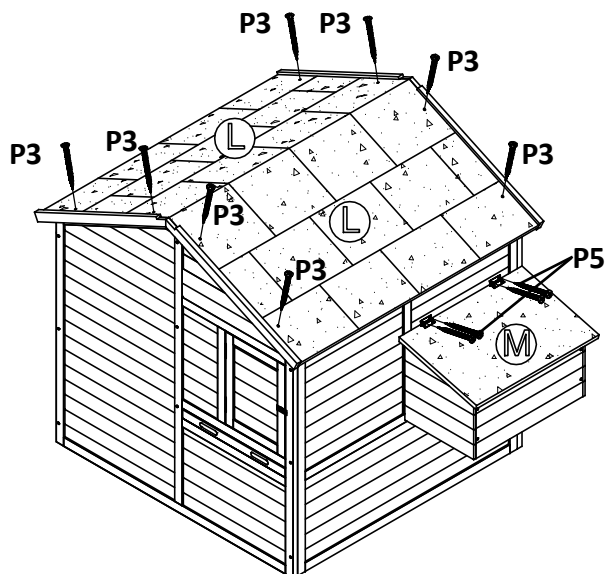


Fig. 7

**STEP 8 – Assemble the roof cap using 4xP4. (Fig. 8)**

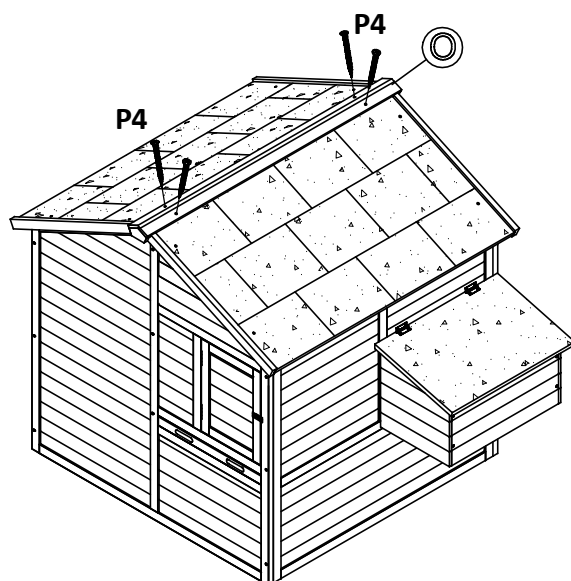


Fig. 8

**⚠ IMPORTANT**

- Read these instructions carefully and familiarise yourself with the procedure before assembling the unit.
- Ensure you have all the component parts on the list and familiarise yourself with each part before proceeding.
- To prolong the life of the chicken coop dry the structure in the natural sun when it becomes damp or wet.

**CLEANING AND SAFETY**

- To avoid risk of suffocation to animals or children dispose of the all packaging immediately.
- Clean all surfaces with a damp cloth and mild detergent, do not use bleach or abrasive products.