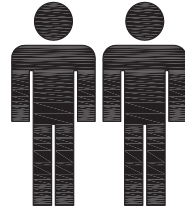


# LIVING & CO MADRID 5 DRAWER TALLBOY

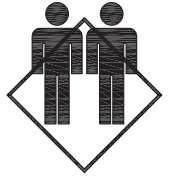
**90 MIN**

APPROXIMATE ASSEMBLY TIME

2 PERSON ASSEMBLY

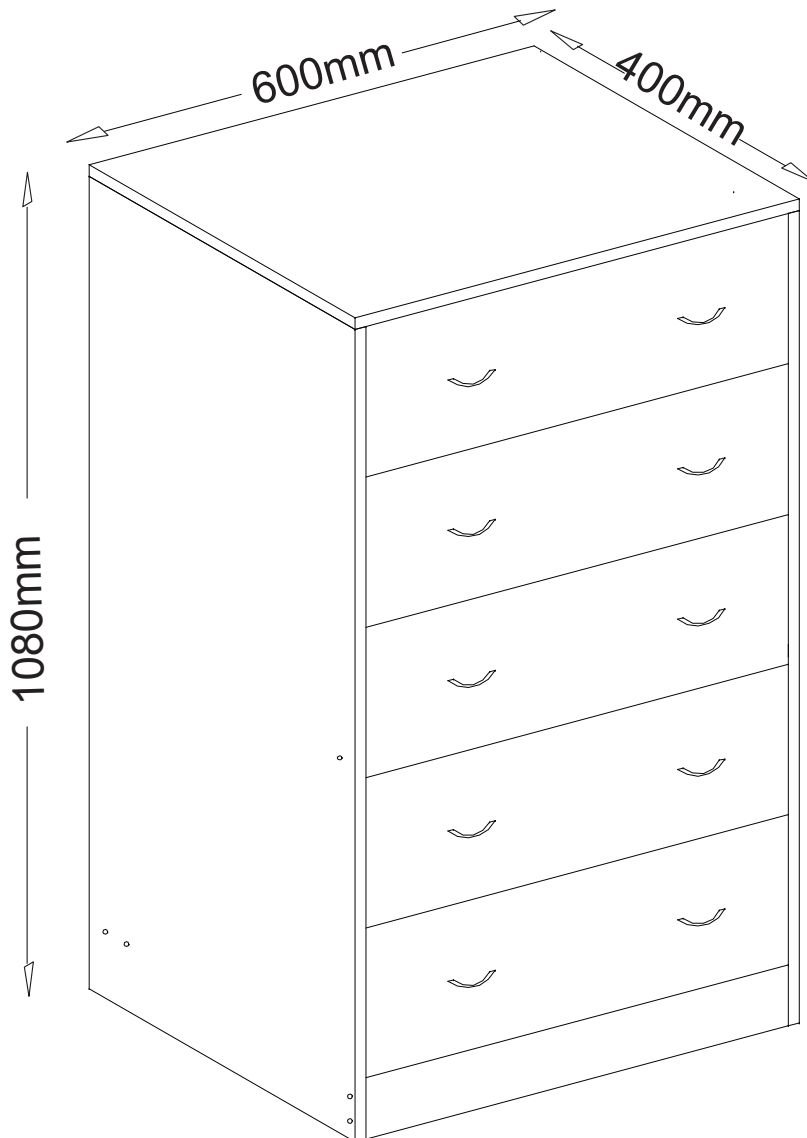


FLOOR AREA  
3.0M x 3.0M



REQUIRED ASSEMBLY SPACE

## ASSEMBLED DIMENSIONS



# LIVING & CO MADRID 5 DRAWER TALLBOY

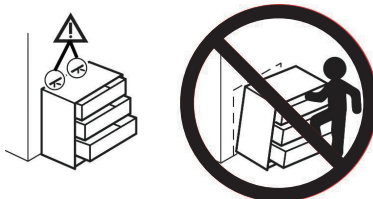
Tips before you start:

1. Please check that all parts are present before you start the assembly of your furniture.
2. For ease and speed of assembly, we recommend that before you commence each step of the assembly, that you identify all the parts required for that step.
3. For larger items, please ensure that you have sufficient space and people (as indicated on page 1) to assemble your product safely.
4. We recommend that, where possible, all items are assembled near to the area in which they will be placed in use, to avoid moving the product unnecessarily once assembled.
5. For the protection of your furniture, we recommend that the product is placed on a protected surface during assembly to prevent any damage.
6. During assembly please take care not to over-tighten any fittings, as this may damage the product.
7. Always place the product on a flat, steady and stable surface.
8. Do not stand on the product. Do not use the product as a stepladder.
9. This product is intended for indoor, household use only as it is non industrial product.

## Care and Maintenance of your Furniture

- Please periodically check all fittings and re-tighten as necessary.
- To clean your item, please use a damp cloth and wipe clean.
- Never allow any kind of liquid to remain on your furniture. Absorption can cause wood to warp or finishes to de-laminate.
- Please do not place hot items (eg. Hot drinks) directly on to the surface.
- Please do not drag and pull your furniture.

## WARNING



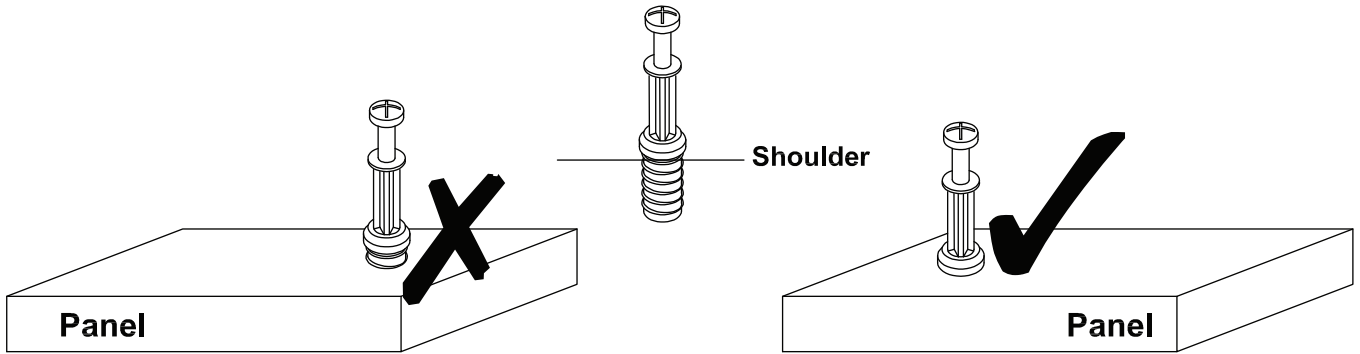
Serious or fatal crushing injuries can occur from furniture tip-over. Use of tip-over restraints may only reduce but not eliminate the risk of tip-over. To help prevent tip-over:

- Place heaviest items in the bottom drawers.
- Unless specifically designed to accommodate, do not set TVs or other heavy objects on top of this product.
- Never allow children to climb or hang on drawers, doors or shelves.
- Never open more than one drawer at a time.

# LIVING & CO MADRID 5 DRAWER TALLBOY

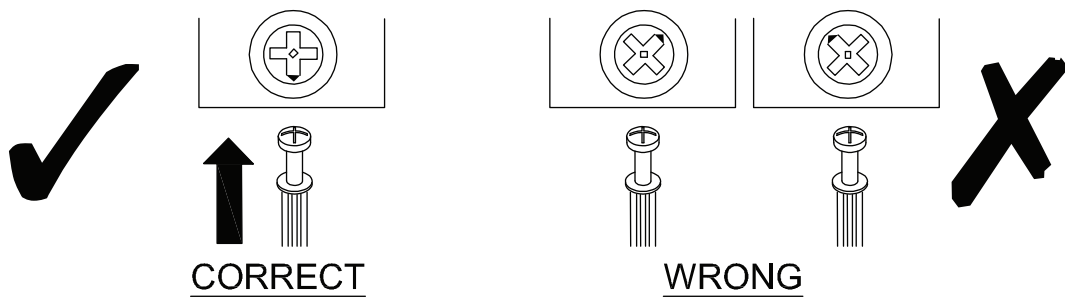
Tips before you start:

## QUICKFIT



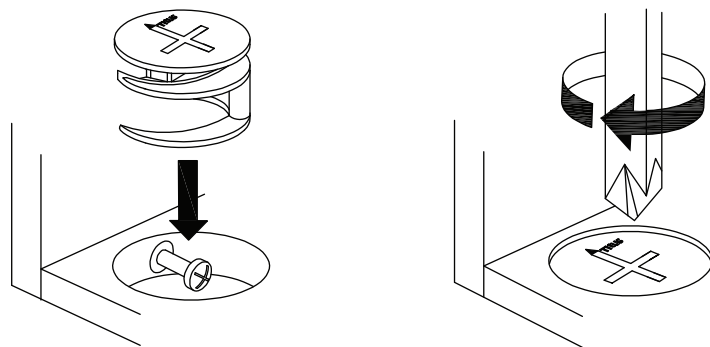
Tighten quickfit until shoulder is flush with panel. Do not overtighten or undertighten.

## CAM LOCK



When fitting cam lock, ensure starting position is correct before you insert connecting quickfit.



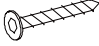



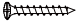


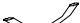

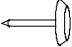









Quickfit head should be in the centre of the cam lock when the two panels are joined.  
Cam lock should be inserted before quickfit.



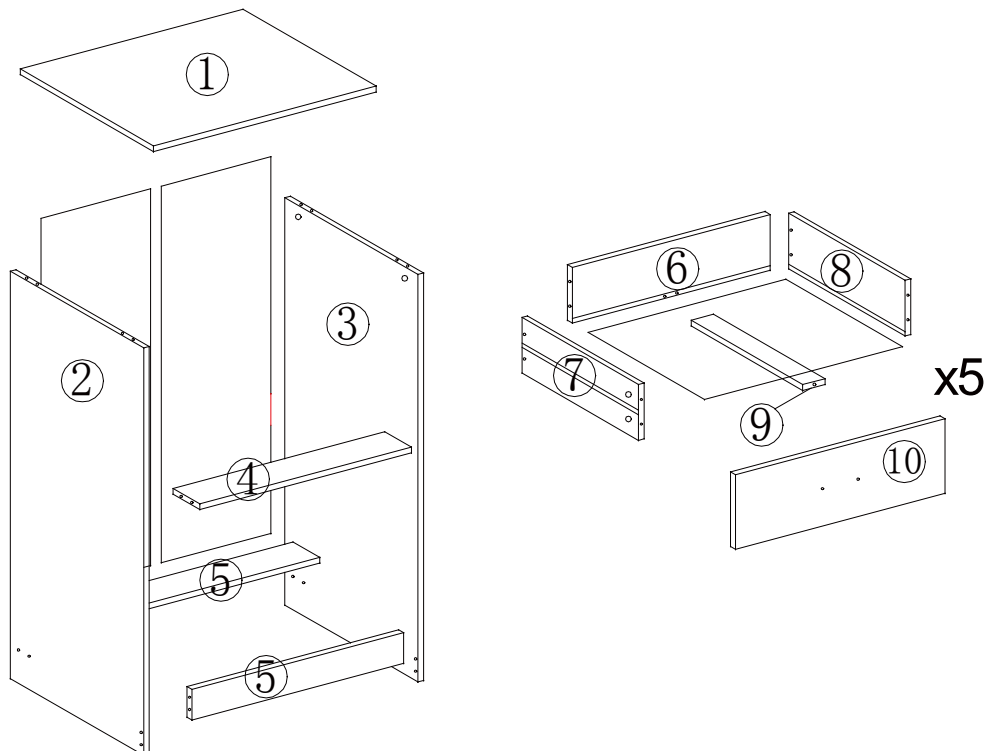
Turn cam lock clockwise to tighten.

# LIVING & CO MADRID 5 DRAWER TALLBOY

## HARDWARE LIST

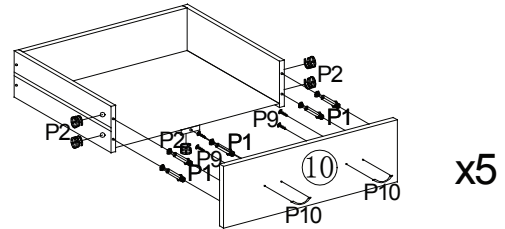
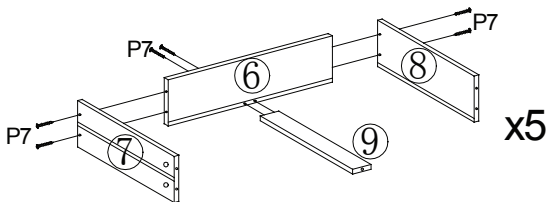
P1 X29  M5x40mm	P2 X25 	P3 X10  M5x40mm	P4 X6  ∅ 5.8X30mm	P5 X42  M3.5x12mm	P6 X10 
P7 X32  M4X35mm	P8 X17 	P9 X20  M4X20mm	P10X10 	P11X1 	P12X4 
P13X2 	P14X4 	P15X2 	P16X10 	P17X1 	P18X4 
P19X10 	Tools required  Phillips screwdriver		 Hammer		

## PARTS LIST

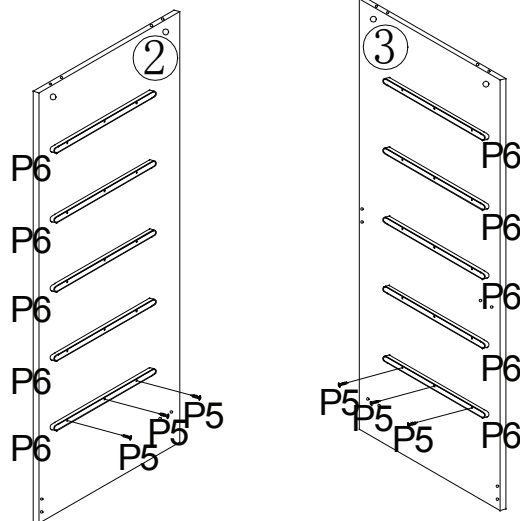


# LIVING & CO MADRID 5 DRAWER TALLBOY

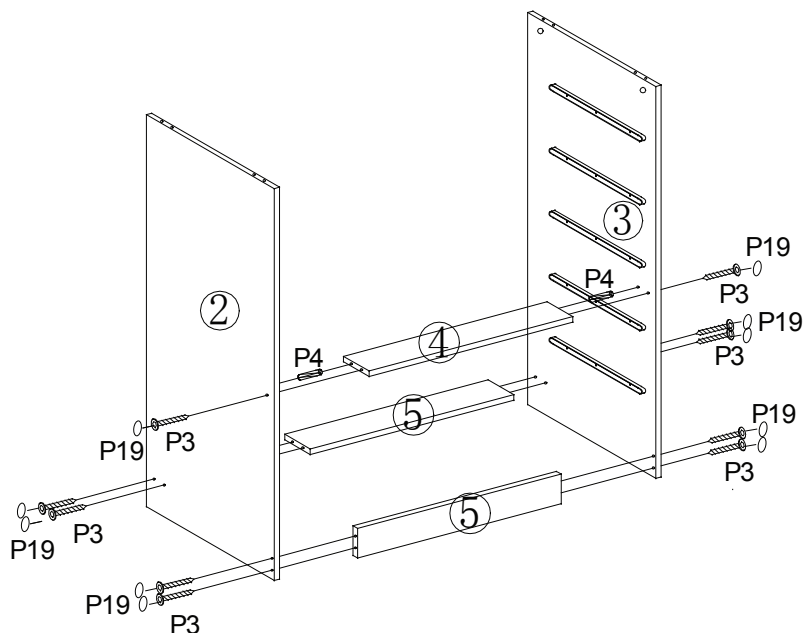
STEP 1



STEP 2

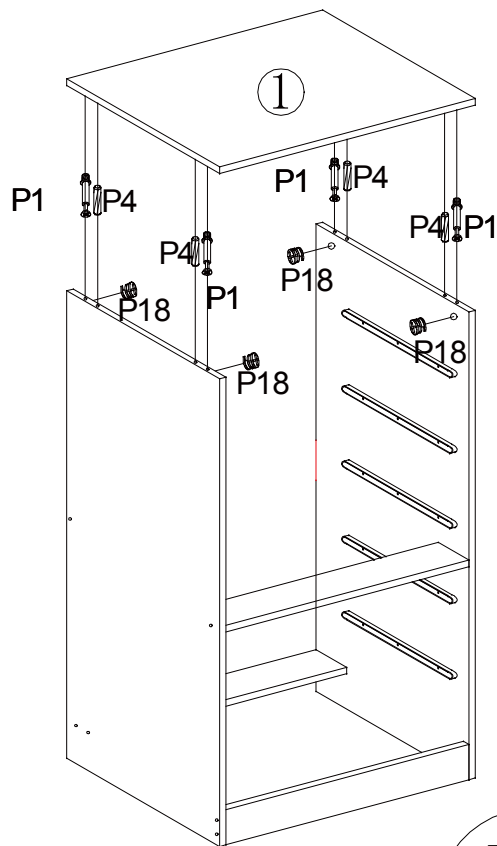


STEP 3

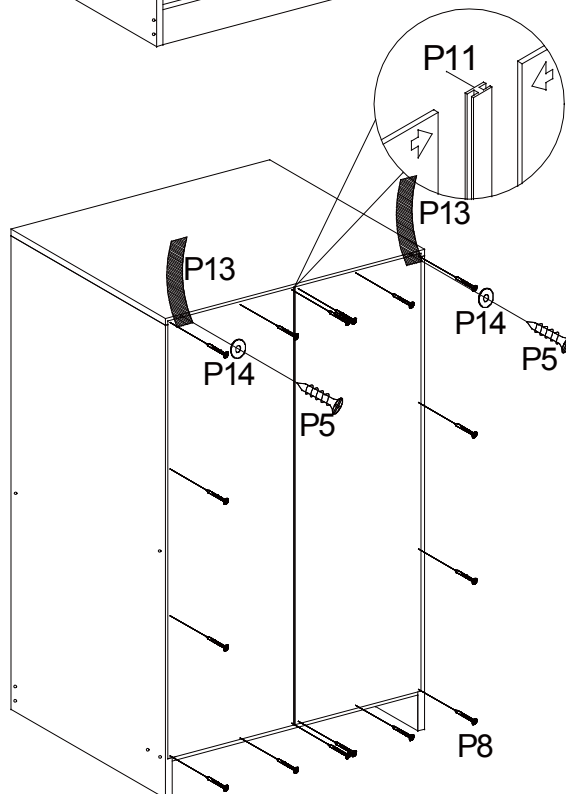


# LIVING & CO MADRID 5 DRAWER TALLBOY

STEP 4

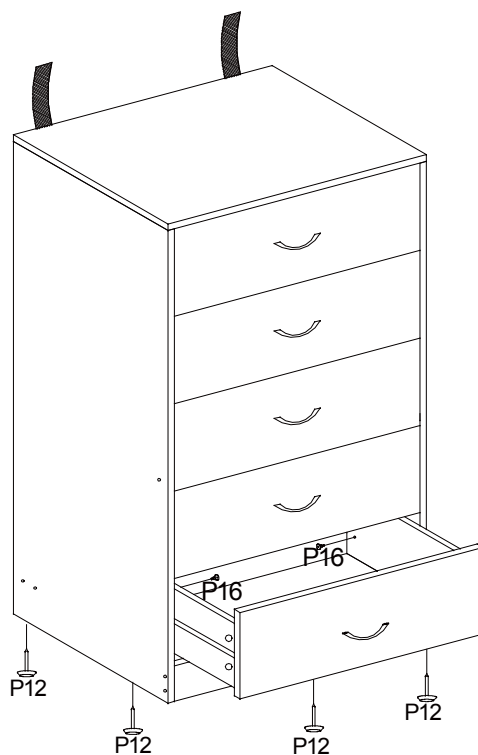


STEP 5

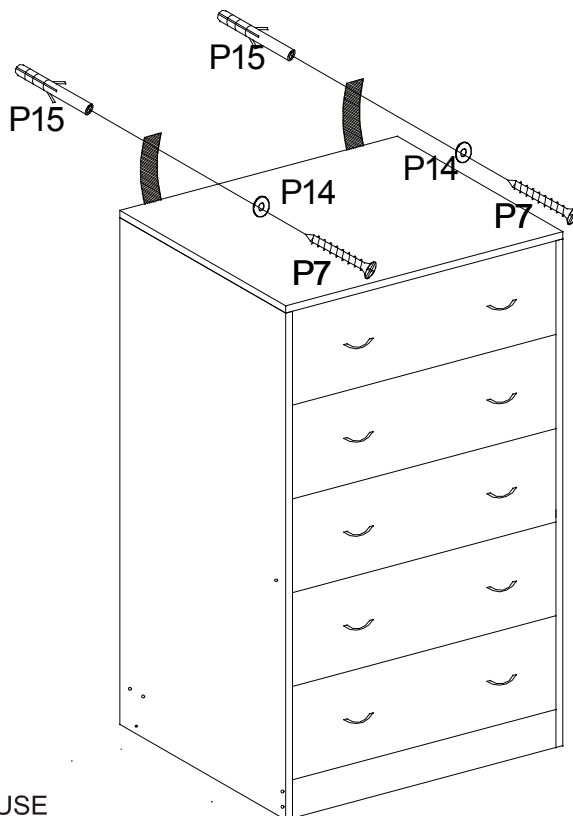


# LIVING & CO MADRID 5 DRAWER TALLBOY

STEP 6



STEP 7



YOUR FURNITURE IS READY FOR USE