

WHISTLER ENTERTAINMENT UNIT

30 MIN

APPROXIMATE ASSEMBLY TIME

2 PERSONS ASSEMBLY

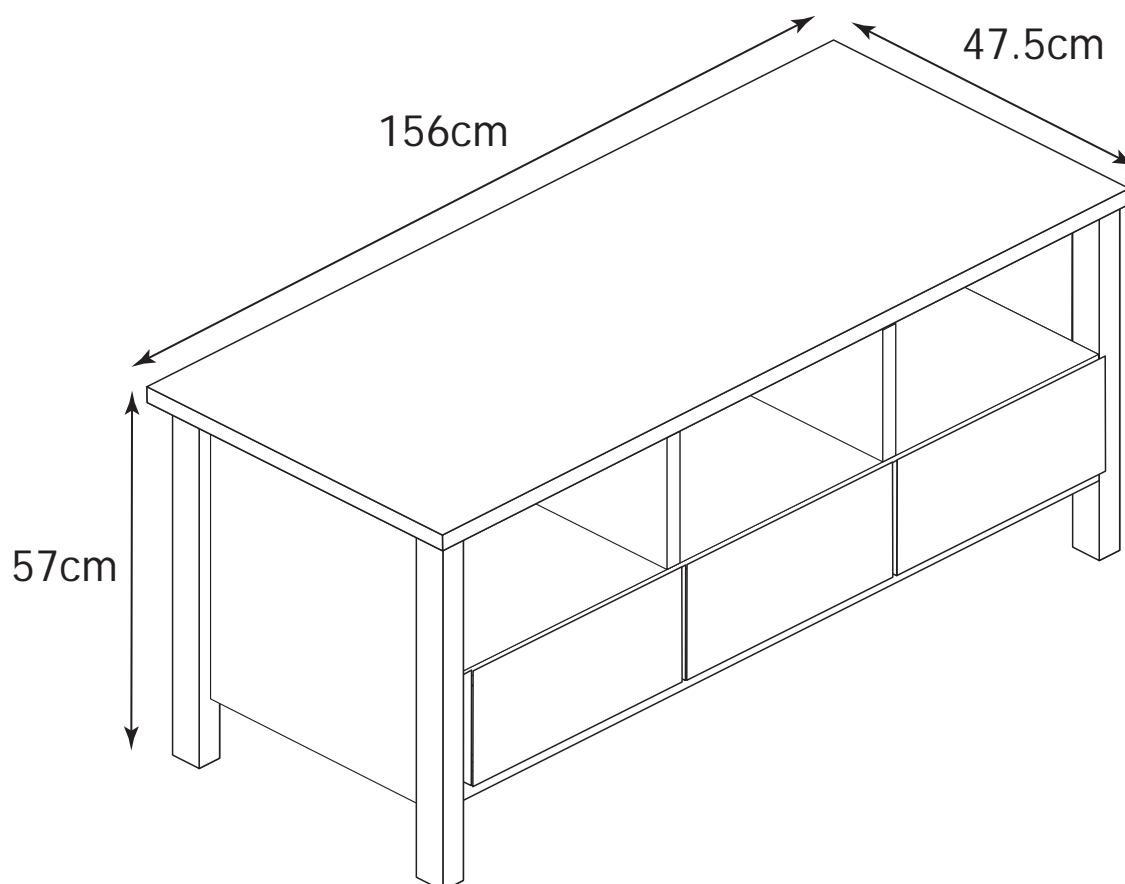


FLOORAREA
2.0Mx 2.0M



REQUIRED ASSEMBLY SPACE

ASSEMBLED DIMENSIONS



MAXIMUM RECOMMENDED LOAD 25KGS ACROSS THE TOP,
5 KGS PER DRAWER, 5KGS PER SHELF

WHISTLER ENTERTAINMENT UNIT

Tips before you start:

1. Please check that all parts are present before you start the assembly of your furniture.
2. For ease and speed of assembly, we recommend that before you commence each step of the assembly, that you identify all the parts required for that step.
3. For larger items, please ensure that you have sufficient space and people (as indicated on page 1) to assemble your product safely.
4. We recommend that, where possible, all items are assembled near to the area in which they will be placed in use, to avoid moving the product unnecessarily once assembled.
5. For the protection of your furniture, we recommend that the product is placed on a protected surface during assembly to prevent any damage.
6. During assembly please take care not to over-tighten any fittings, as this may damage the product.
7. Always place the product on a flat, steady and stable surface.
8. Do not stand on the product. Do not use the product as a stepladder.
9. This product is intended for indoor, household use only as it is non industrial product.
10. Please put the accessories into installation holes before you screw up any of them.

Care and Maintenance of your Furniture

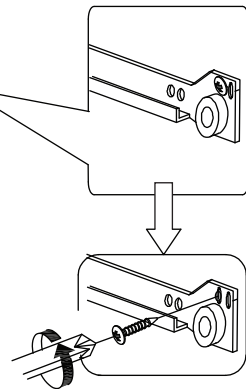
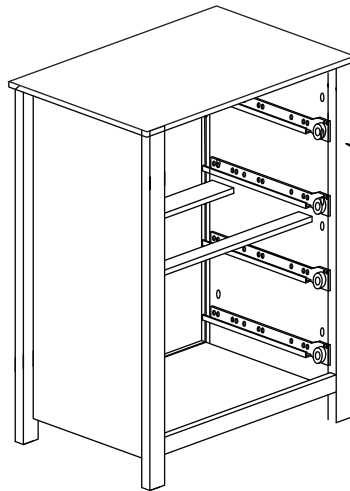
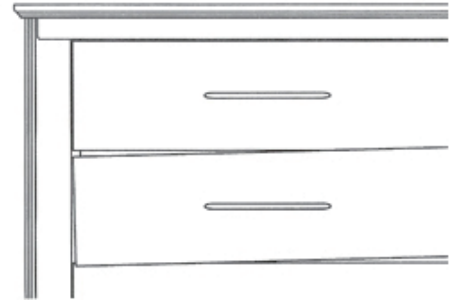
- ☒ Please periodically check all fittings and re-tighten as necessary.
- ☒ To clean your item, please use a damp cloth and wipe clean.
- ☒ Never allow any kind of liquid to remain on your furniture. Absorption can cause wood to warp or finishes to de-laminate.
- ☒ Please do not place hot items (eg. Hot drinks) directly on to the surface.
- ☒ Please do not drag and pull your furniture.

Misaligned Drawers

Over time the rails from the drawers can become loose and drawer parts can become misaligned.

Your dresser drawer, for example, might become very difficult to open and close. It happens. Restoring misaligned drawers to like-new performance is well within your abilities.

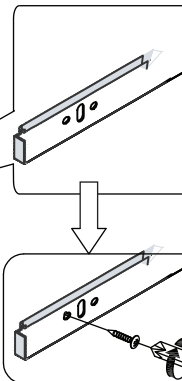
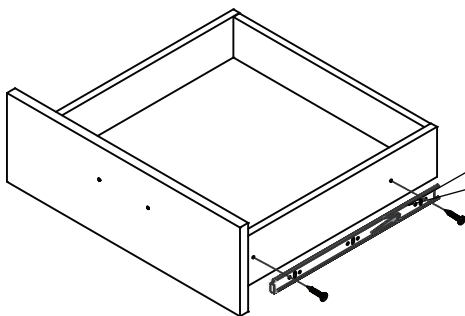
The following are detailed instructions to easily fix misaligned drawers with side mounted guides that don't open or shut properly.



Loosen the guide screw and adjust to make the drawer level.

Tighten before reinstalling the drawer

or

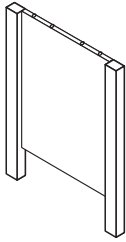
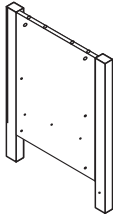
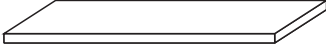
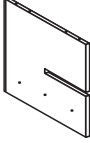
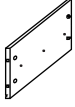
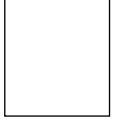


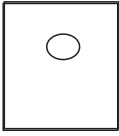
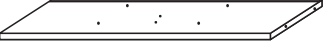
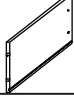

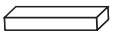
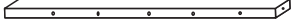


Loosen the guide screw and adjust to make the drawer level.










Tighten before reinstalling the drawer

WHISTLER ENTERTAINMENT UNIT

HARDWARE LIST

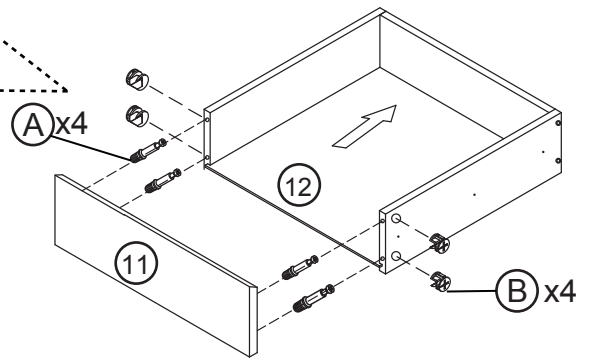
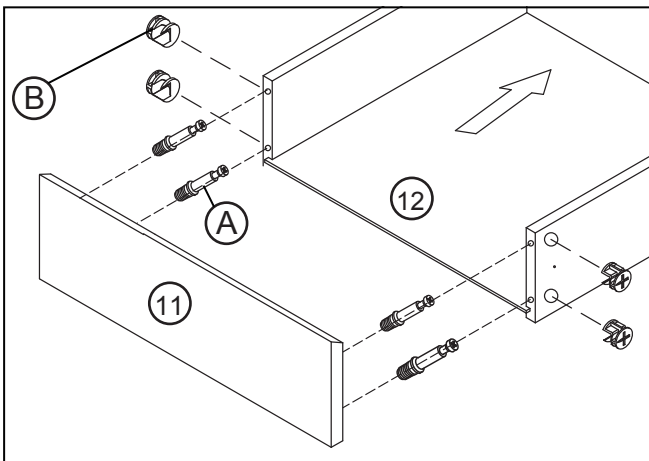
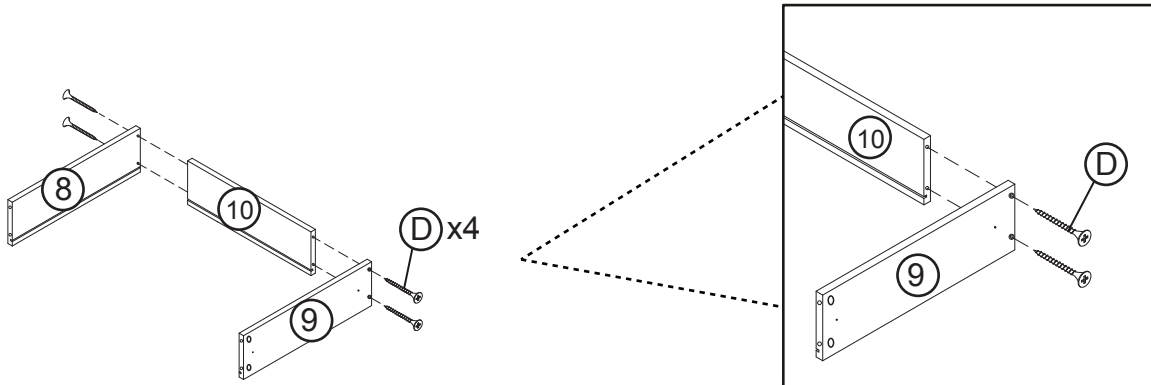
			③ x1			⑨ x3		⑫ x3
			④ x1	⑦ x2		⑩ x3		⑬ x3
			⑤ x1					⑭ x1
① x1	② x1		⑥ x1	⑧ x3	⑪ x3			

PARTS LIST

								
M6x35	M15x10	M5.8x30	M4x40		M3x12		M3x16	
Ax32	Bx32	Cx6	Dx19	Ex6	Fx36	Gx8	Hx8	Ix5

WHISTLER ENTERTAINMENT UNIT

STEP 1

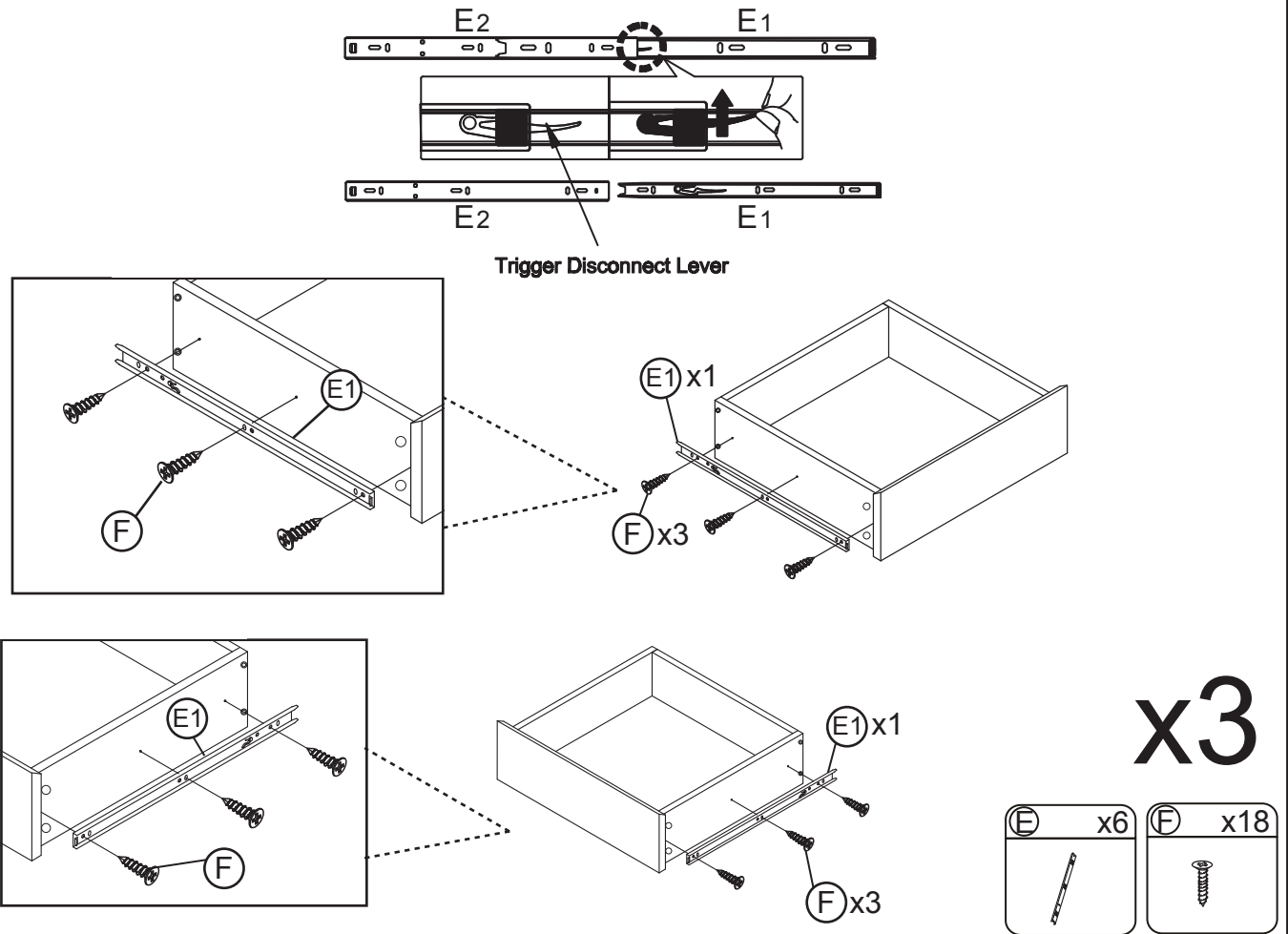


X3

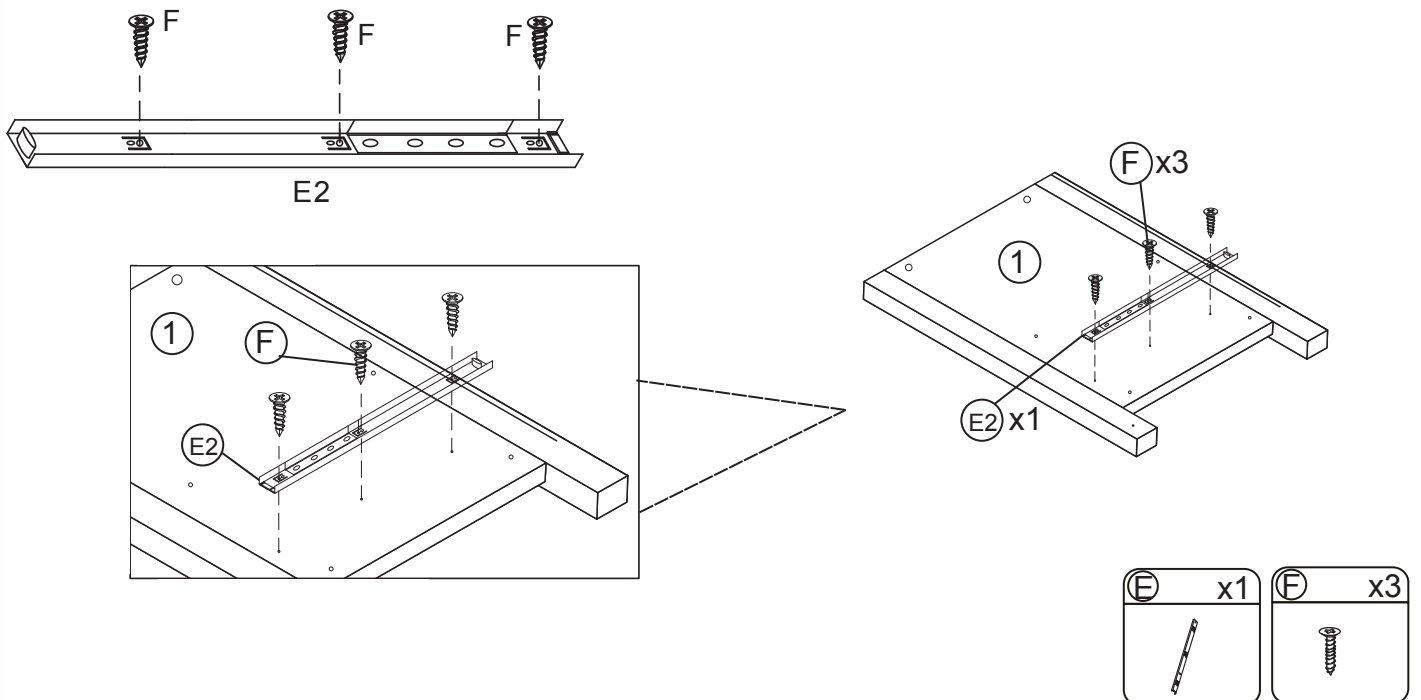


WHISTLER ENTERTAINMENT UNIT

STEP 2

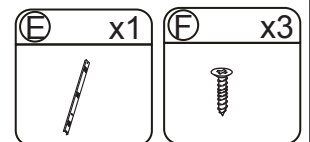
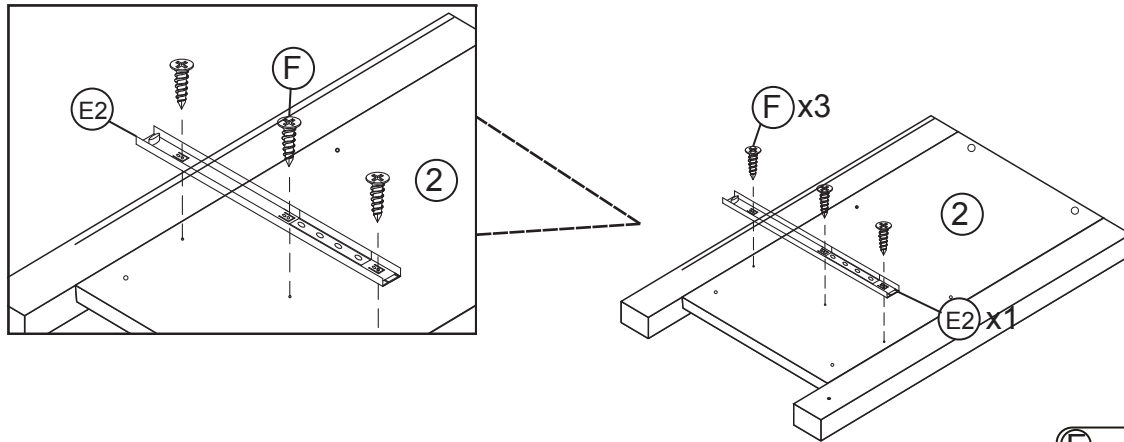


STEP 3

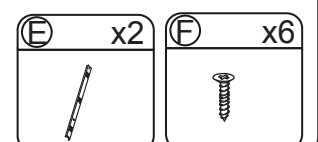
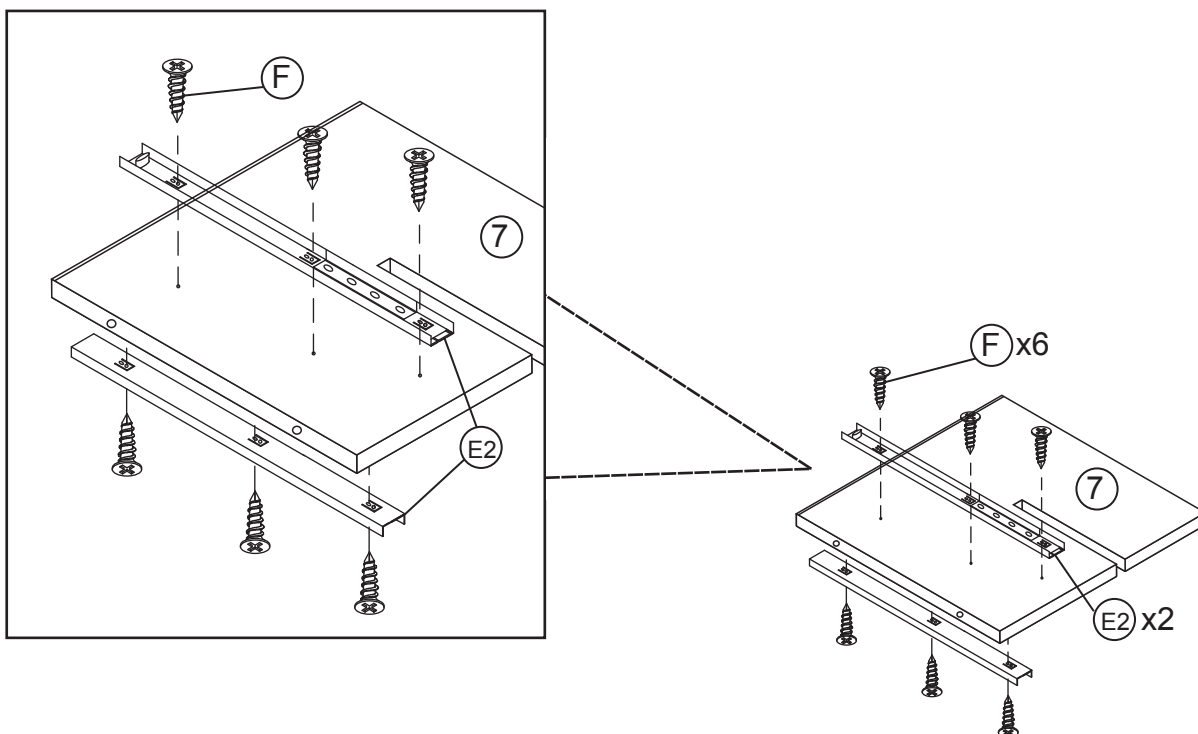


WHISTLER ENTERTAINMENT UNIT

STEP 4

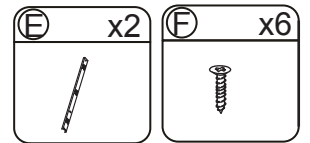
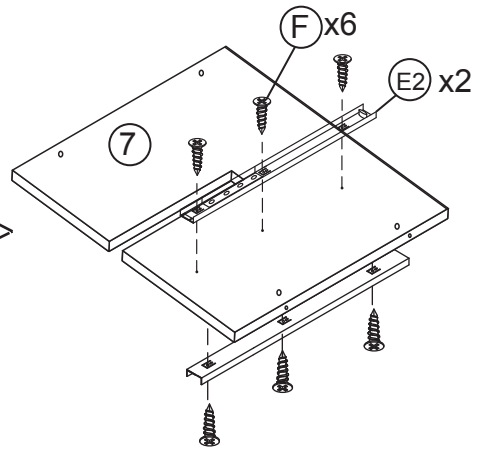
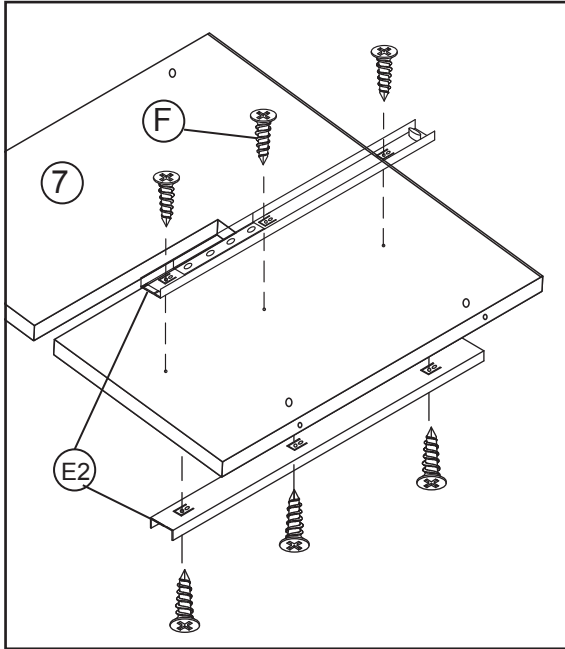


STEP 5

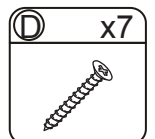
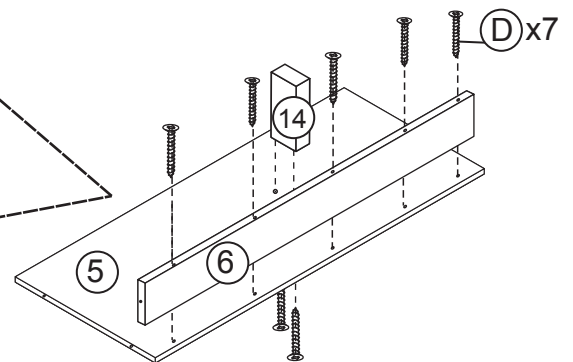
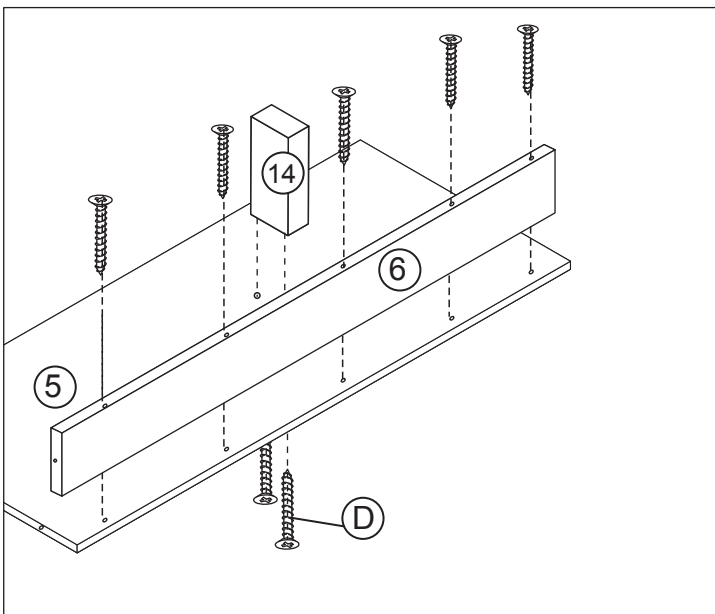


WHISTLER ENTERTAINMENT UNIT

STEP 6

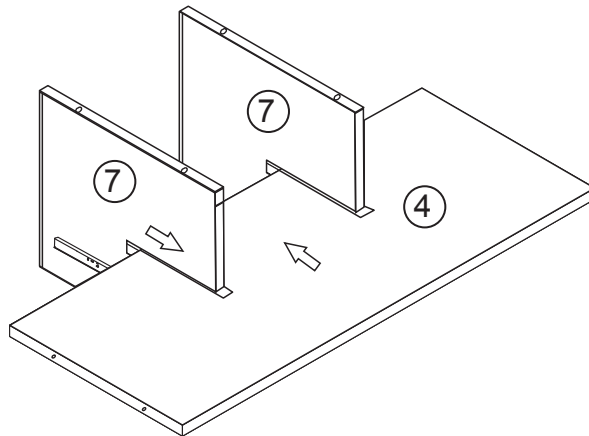


STEP 7

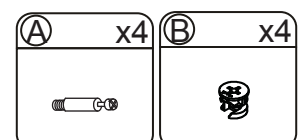
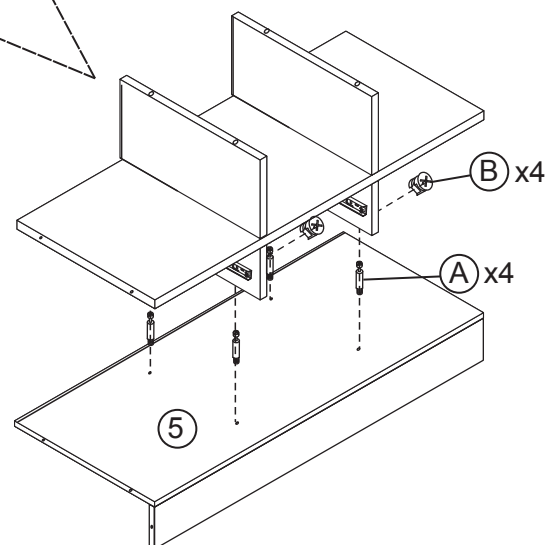
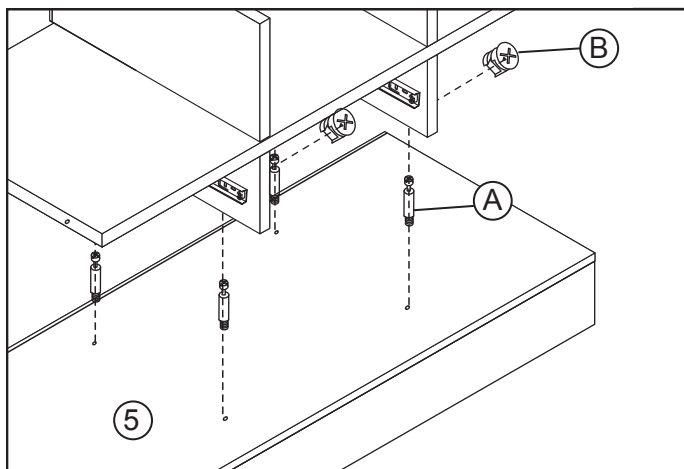


WHISTLER ENTERTAINMENT UNIT

STEP 8

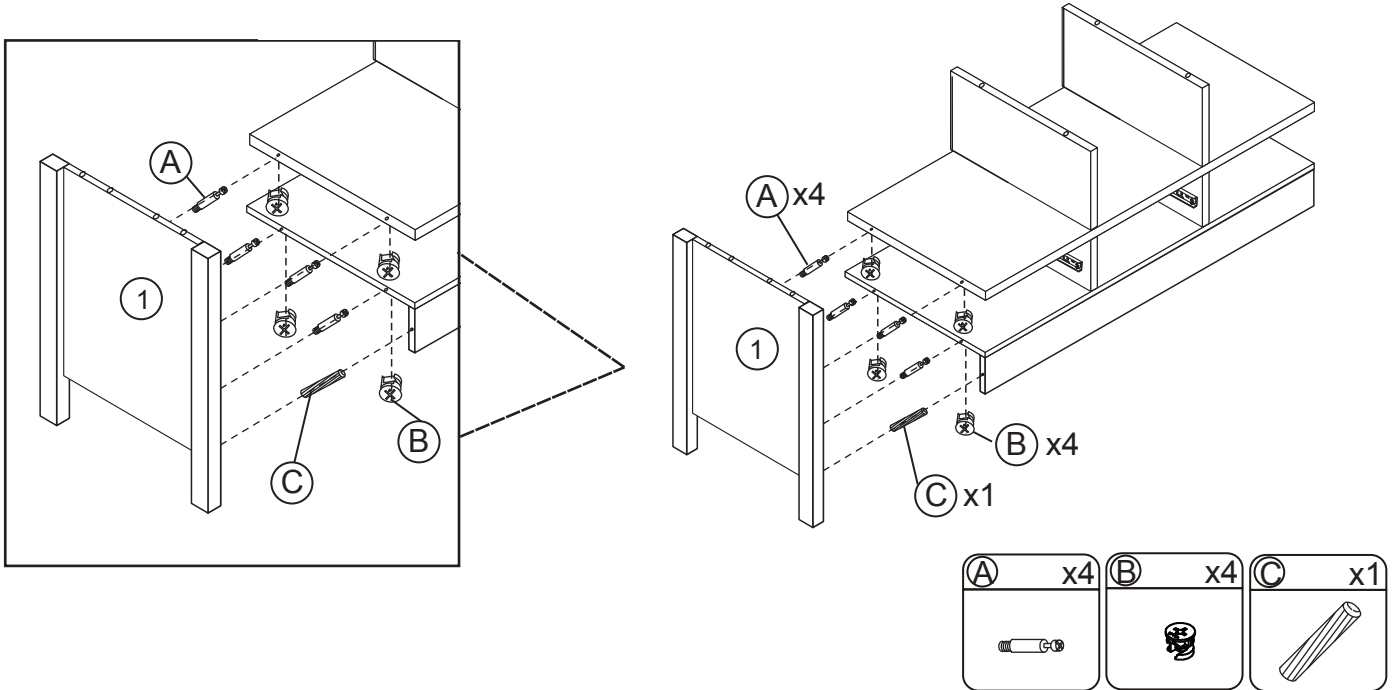


STEP 9

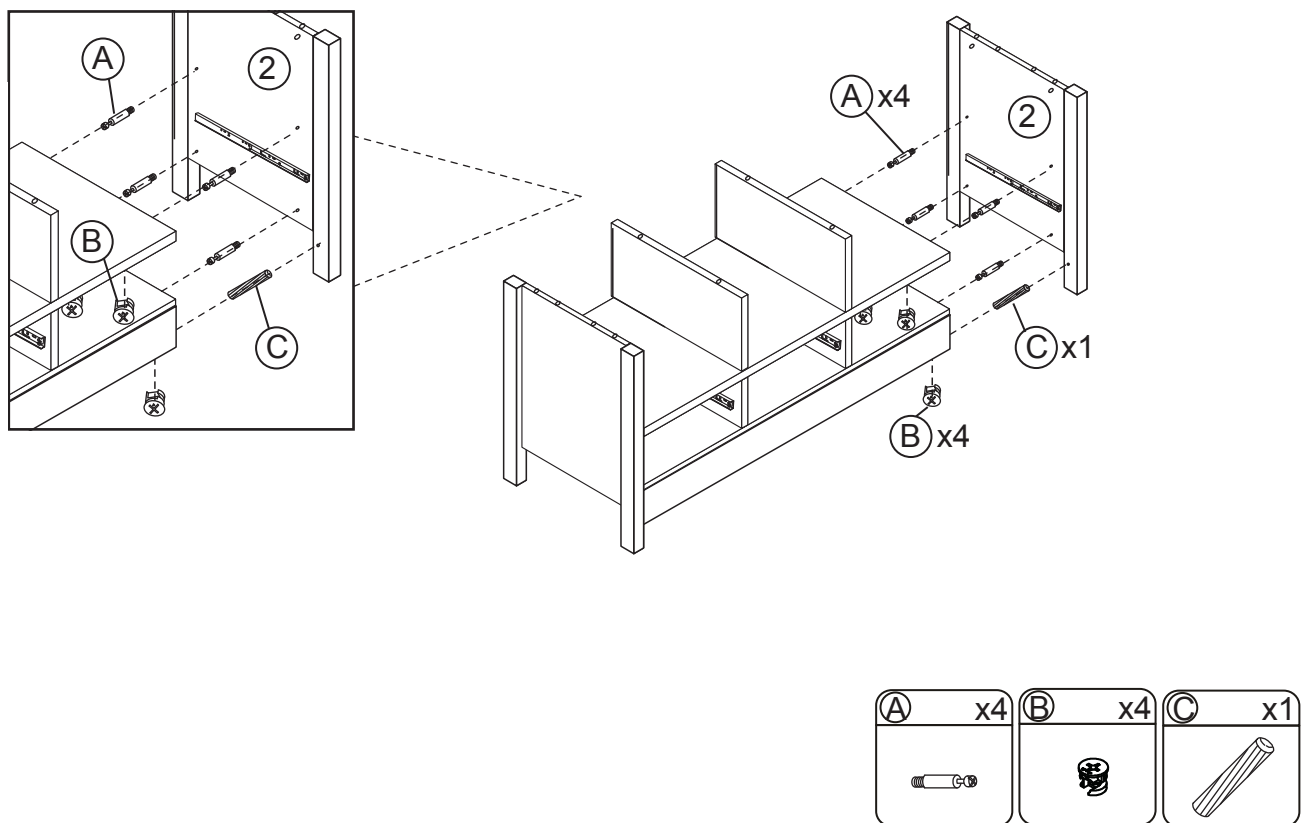


WHISTLER ENTERTAINMENT UNIT

STEP 10

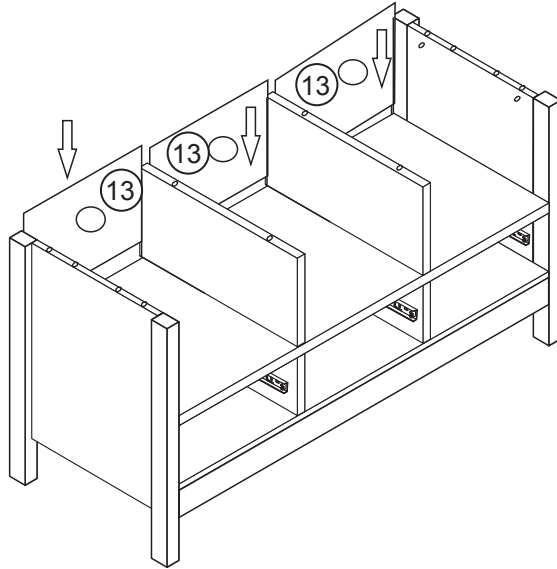


STEP 11

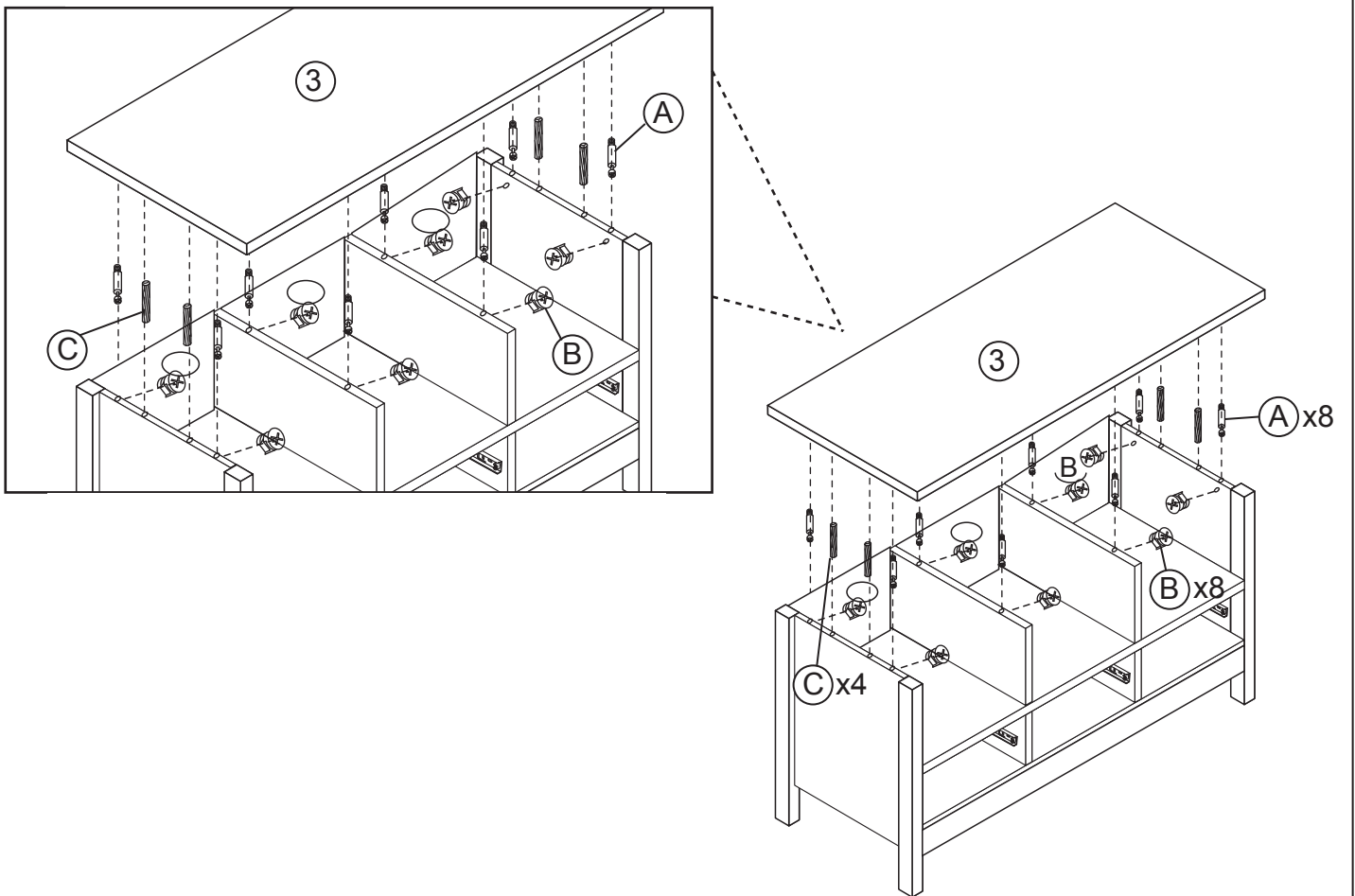


WHISTLER ENTERTAINMENT UNIT

STEP 12

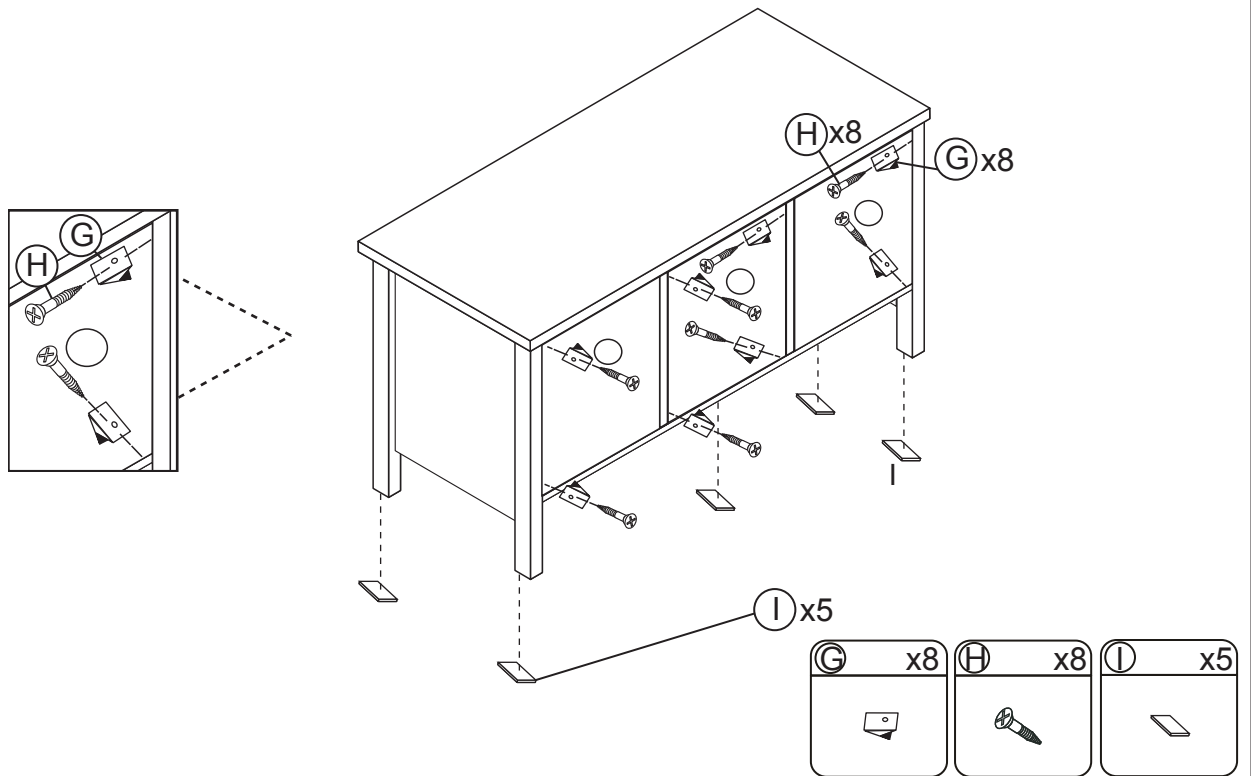


STEP 13

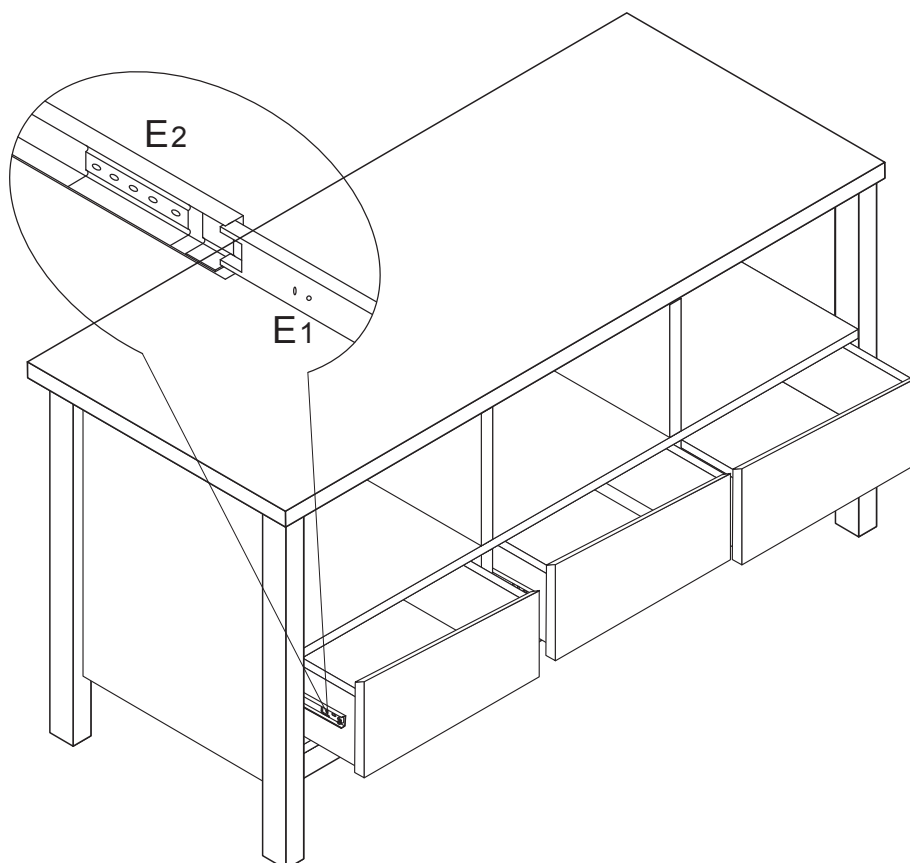


WHISTLER ENTERTAINMENT UNIT

STEP 14



STEP 15



WHISTLER ENTERTAINMENT UNIT

STEP 16

