

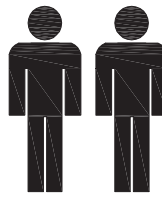


**MODEL NAME:**  
**HAVANA 4 DRAWER BEDSIDE CABINET**  
**DC-9288-02 BC: 9400048273458**

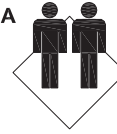
**1.0hr**

**APPROXIMATE ASSEMBLY TIME**

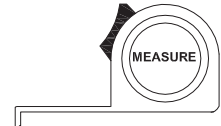
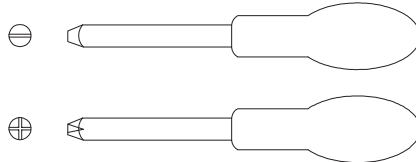
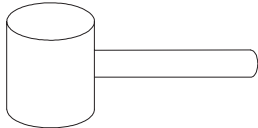
**2 PERSON ASSEMBLY**



**FLOOR AREA**  
**1.0M X 1.5M**

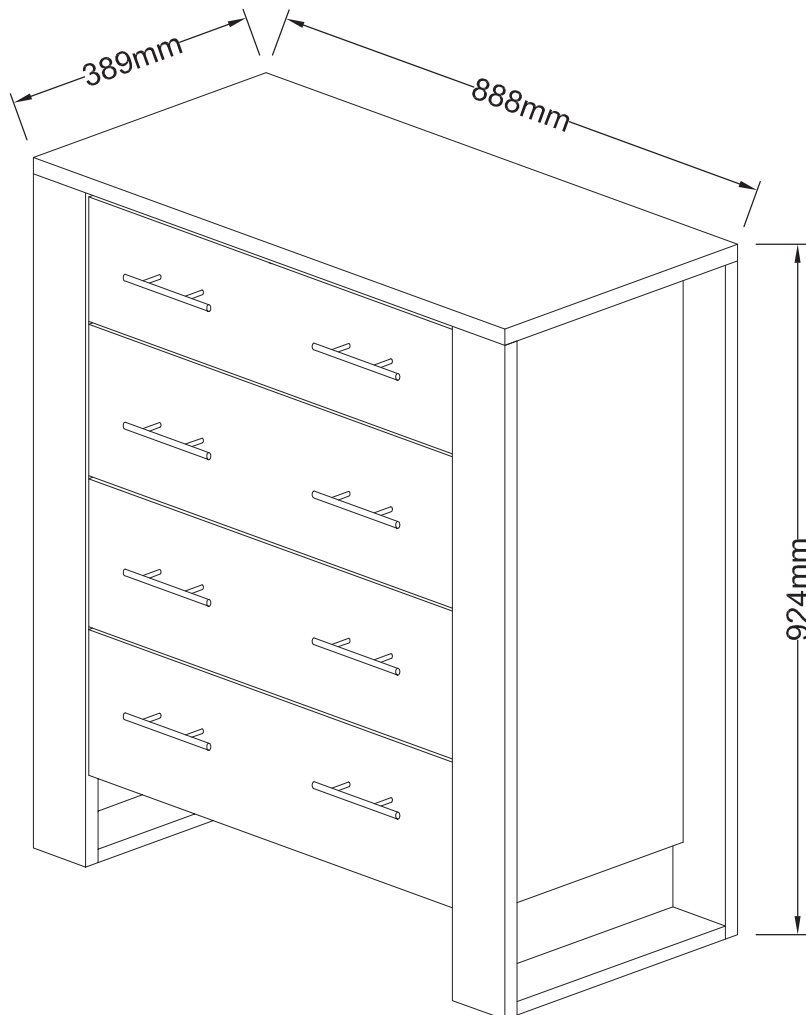


**REQUIRED ASSEMBLY SPACE**



**REQUIRED ASSEMBLY TOOLS**

**ASSEMBLED DIMENSIONS**



**NOTE : THE MAXIMUM WEIGHT THIS PRODUCT CAN HOLD IS UP TO 25 KGS.**



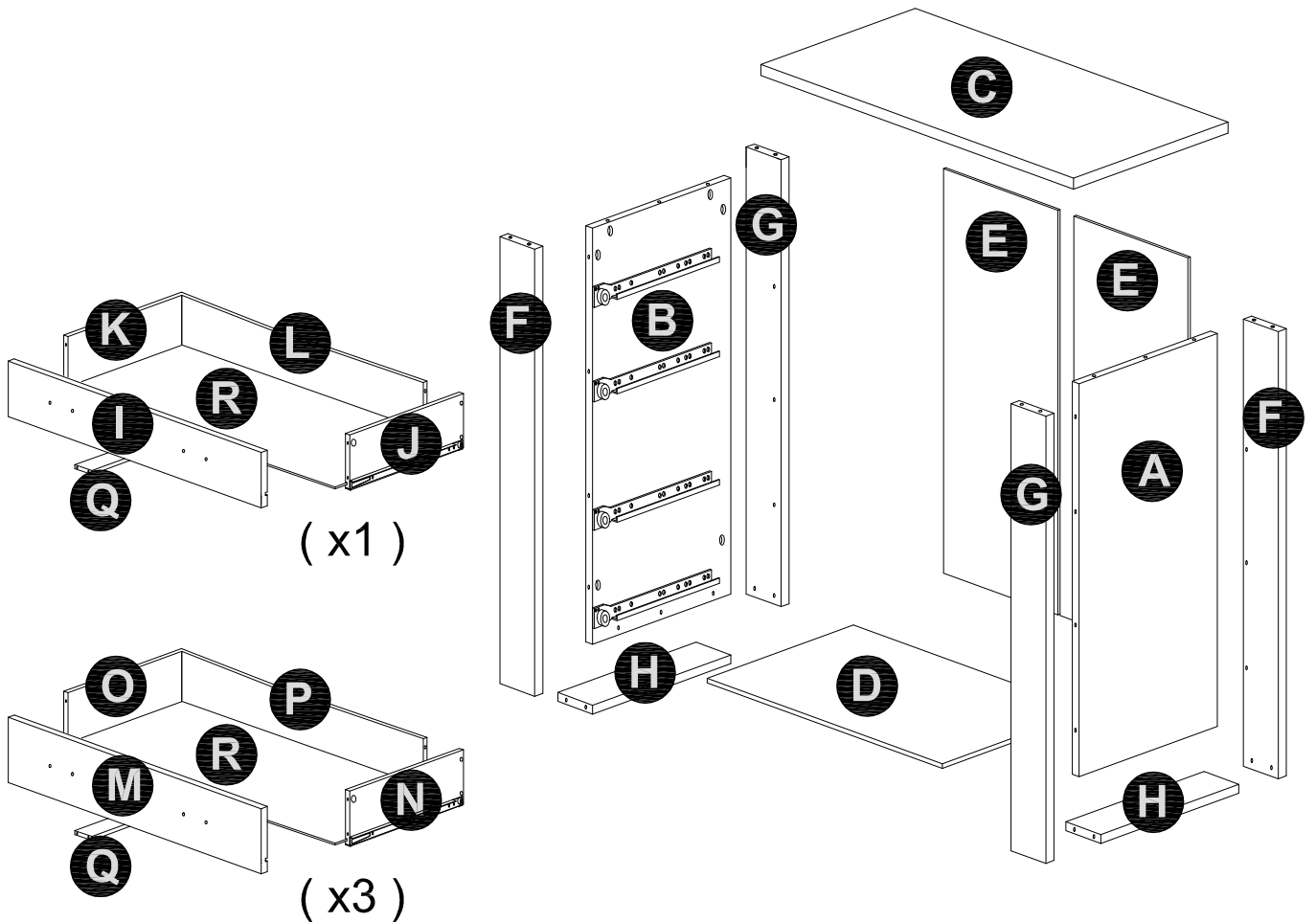
**MODEL NAME:**

**HAVANA 4 DRAWER BEDSIDE CABINET**

**DC-9288-02 BC: 9400048273458**

NO.	PART LIST	QTY	NO.	PART LIST	QTY
(A)	RIGHT SIDE PANEL	1	(J)	DRAWER RIGHT SIDE PANEL (SMALL)	1
(B)	LEFT SIDE PANEL	1	(K)	DRAWER LEFT SIDE PANEL (SMALL)	1
(C)	TOP PANEL	1	(L)	DRAWER BACK PANEL (SMALL)	1
(D)	BOTTOM PANEL	1	(M)	DRAWER COVER (LARGE)	3
(E)	BACK PANEL	2	(N)	DRAWER RIGHT SIDE PANEL (LARGE)	3
(F)	PROFILE LEG (A)	2	(O)	DRAWER LEFT SIDE PANEL (LARGE)	3
(G)	PROFILE LEG (B)	2	(P)	DRAWER BACK PANEL (LARGE)	3
(H)	PROFILE LEG (C)	2	(Q)	DRAWER BOTTOM SUPPORT	4
(I)	DRAWER COVER SMALL	1	(R)	DRAWER BASE	4

**PARTS LIST**





**MODEL NAME:**

HAVANA 4 DRAWER BEDSIDE CABINET  
DC-9288-02 BC: 9400048273458

**HARDWARE LIST**

1 **24X**  
M3.5 x 25mm  
FLAT HEAD SCREW

2 **24X**  
Dia.15mm  
CAMLOCK

3 **32X**  
M6.5  
QUICKFIT

4 **36X**  
Dia.6 x 30mm  
WOOD DOWEL

5 **8X**  
Dia.15mm  
DRAWER CAMLOCK

6 **4X**  
LEG COVER

7 **16X**  
M4 x 19mm  
PAN HEAD BOLT

8 **2X**  
GLUE 10CC

9 **8X**  
METAL HANDLE

10 **32X**  
METAL NAILS

11 **2X**  
ANTI TIP STRAP

**MODEL NAME:**

HAVANA 4 DRAWER BEDSIDE CABINET  
DC-9288-02 BC: 9400048273458

**Top Tips before you start!**

1. Please check that all parts are present before you start the assembly of your furniture,
2. For ease and speed of assembly, we recommend that before you commence each step of the assembly, that you identify all the parts required for that step.
3. For larger items, please ensure that you have sufficient space and people ( as indicated on page 1 ) to assemble your product safely
4. We recommend that, where possible, all items are assembled near to the area in which they will be placed in use, to avoid moving the product unnecessarily once assembled.
5. For the protection of your furniture, particularly items of high gloss finish, we recommend that the product is placed on a protected surface during assembly to prevent any damage.
6. During assembly please take care not to over-tighten any fittings, as this may damage the product.
7. Always place the product on a flat, steady and stable surface.
8. Do not sit or stand on the product.  
Do not use the product as a stepladder.
9. This product is intended for indoor, household use only as it is non industrial product.
10. This product is constructed from re-inforced hollow board. Please do not step on any part of this product during assembly to avoid damages.

**Care and Maintenance of your Furniture**

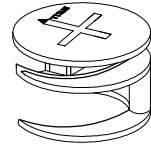
- Please periodically check all fittings are re-tighten as necessary.
- To clean your item, please use a damp cloth and wipe clean.
- Never allow any kind of liquid to remain on your furniture. Absorption can cause wood to warp or finishes to de-laminate.
- Please do not place hot items (e.g. hot drinks ) directly on to the wood surface.
- Please do not drag and pull your furniture.



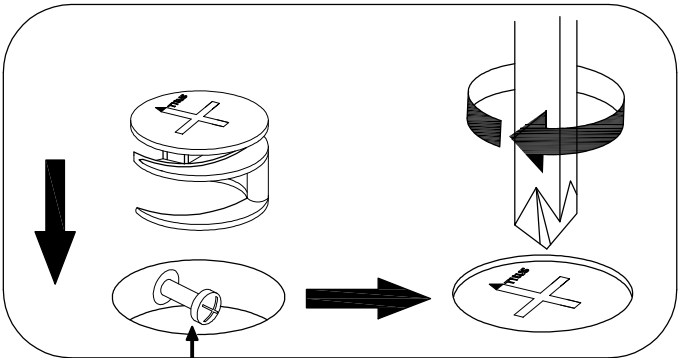
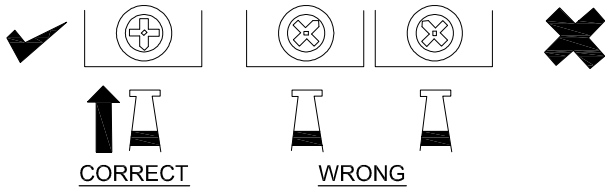
**MODEL NAME:**  
HAVANA 4 DRAWER BEDSIDE CABINET  
DC-9288-02 BC: 9400048273458

## SPECIAL TIPS FOR FITTING CAM-LOCKS AND QUICKFIT

**CAM-LOCK**

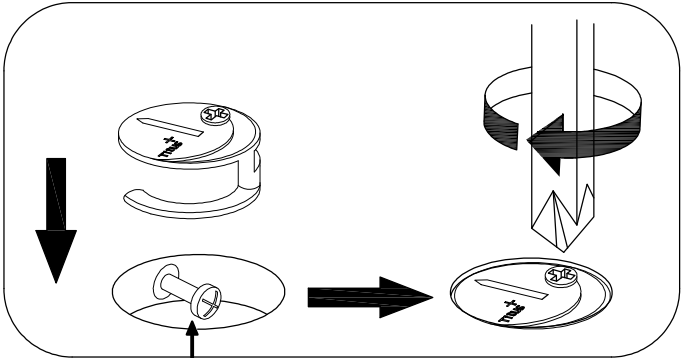


WHEN FITTING CAMLOCK  
ENSURE STARTING POSITION IS CORRECT  
BEFORE YOU INSERT CONNECTING QUICKFIT  
TURN CLOCKWISE UNTIL SECURE



**Quickfit head needs to be in centre**

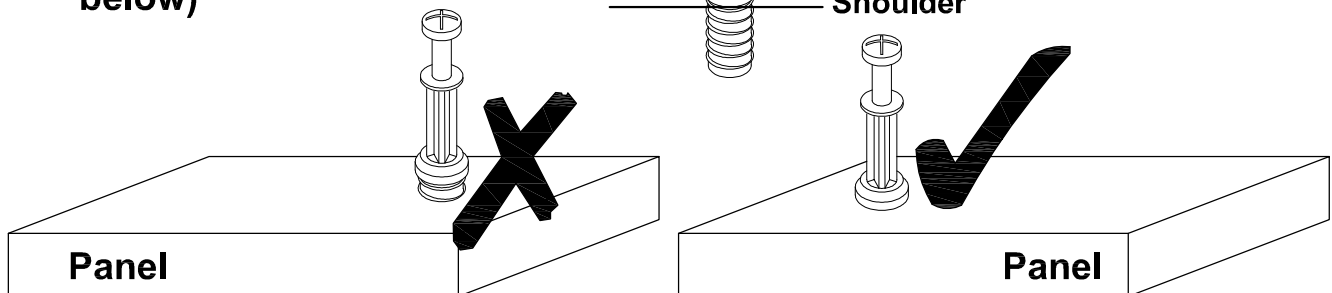
**DRAWER  
CAM-LOCK**



**Quickfit head needs to be in centre**

**QUICKFIT**

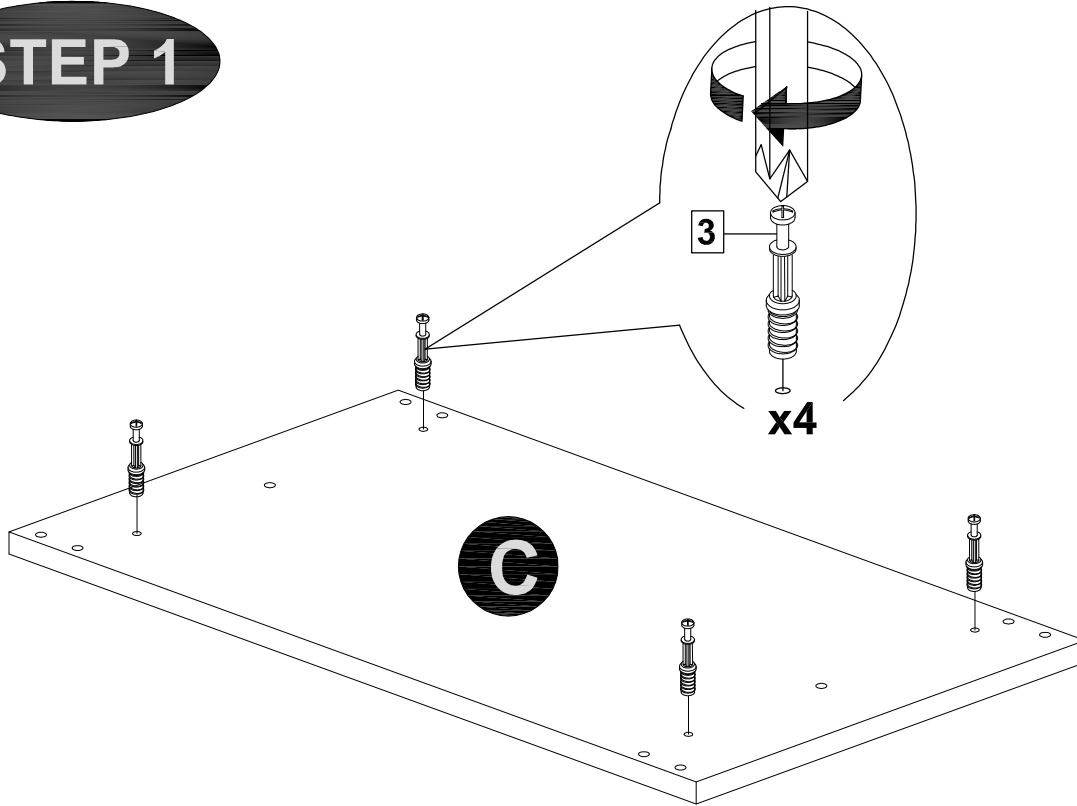
Tighten until shoulder is flush with panel. Do not overtighten or undertighten (see example below)



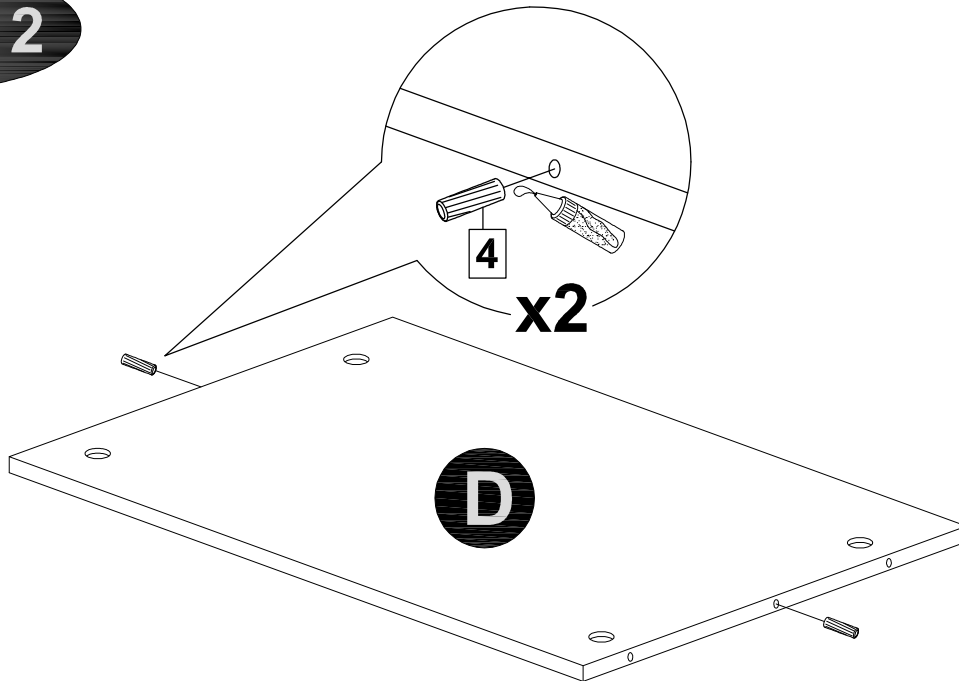


**MODEL NAME:**  
HAVANA 4 DRAWER BEDSIDE CABINET  
DC-9288-02 BC: 9400048273458

**STEP 1**



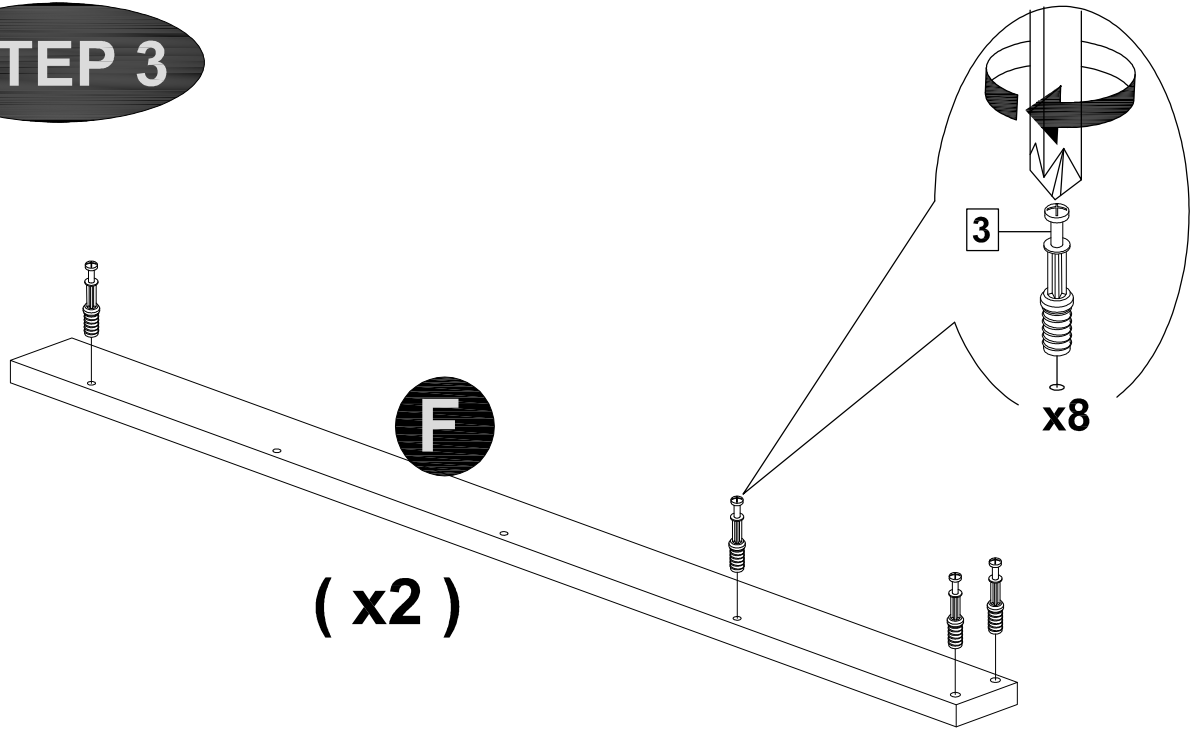
**STEP 2**



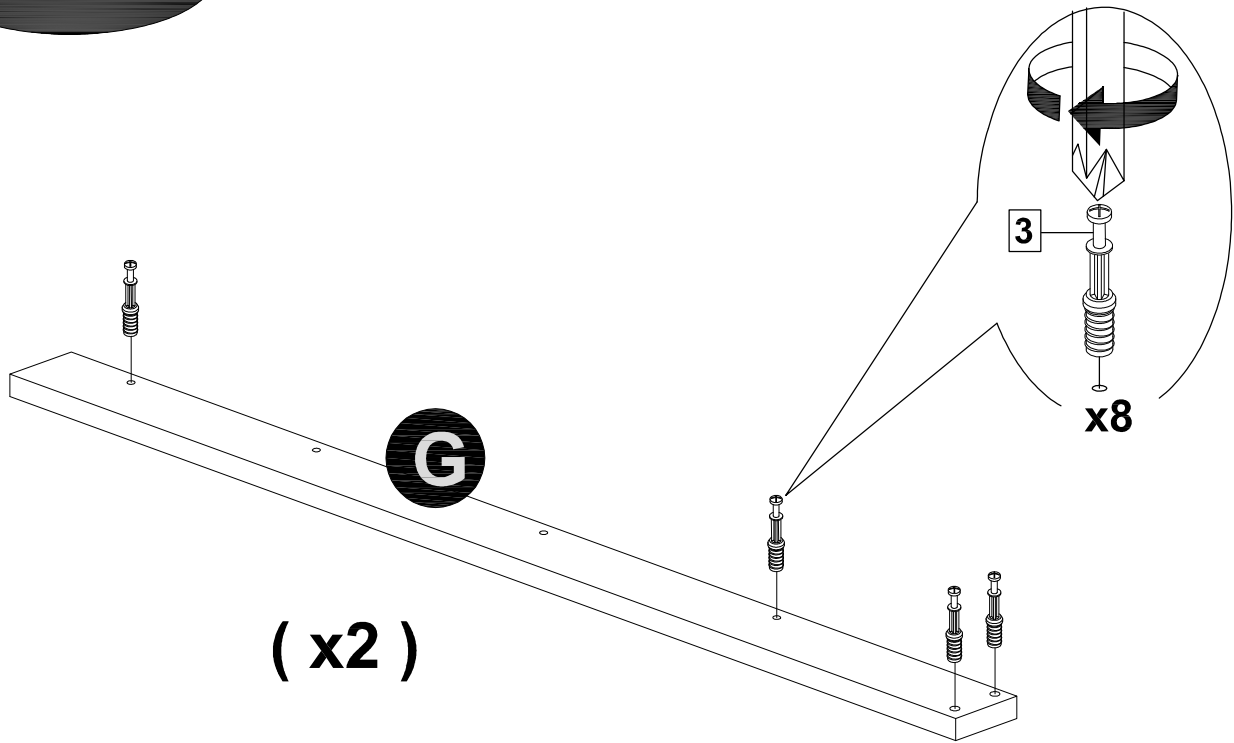
**RESiDE<sup>®</sup>**

**MODEL NAME:**  
HAVANA 4 DRAWER BEDSIDE CABINET  
DC-9288-02 BC: 9400048273458

**STEP 3**



**STEP 4**



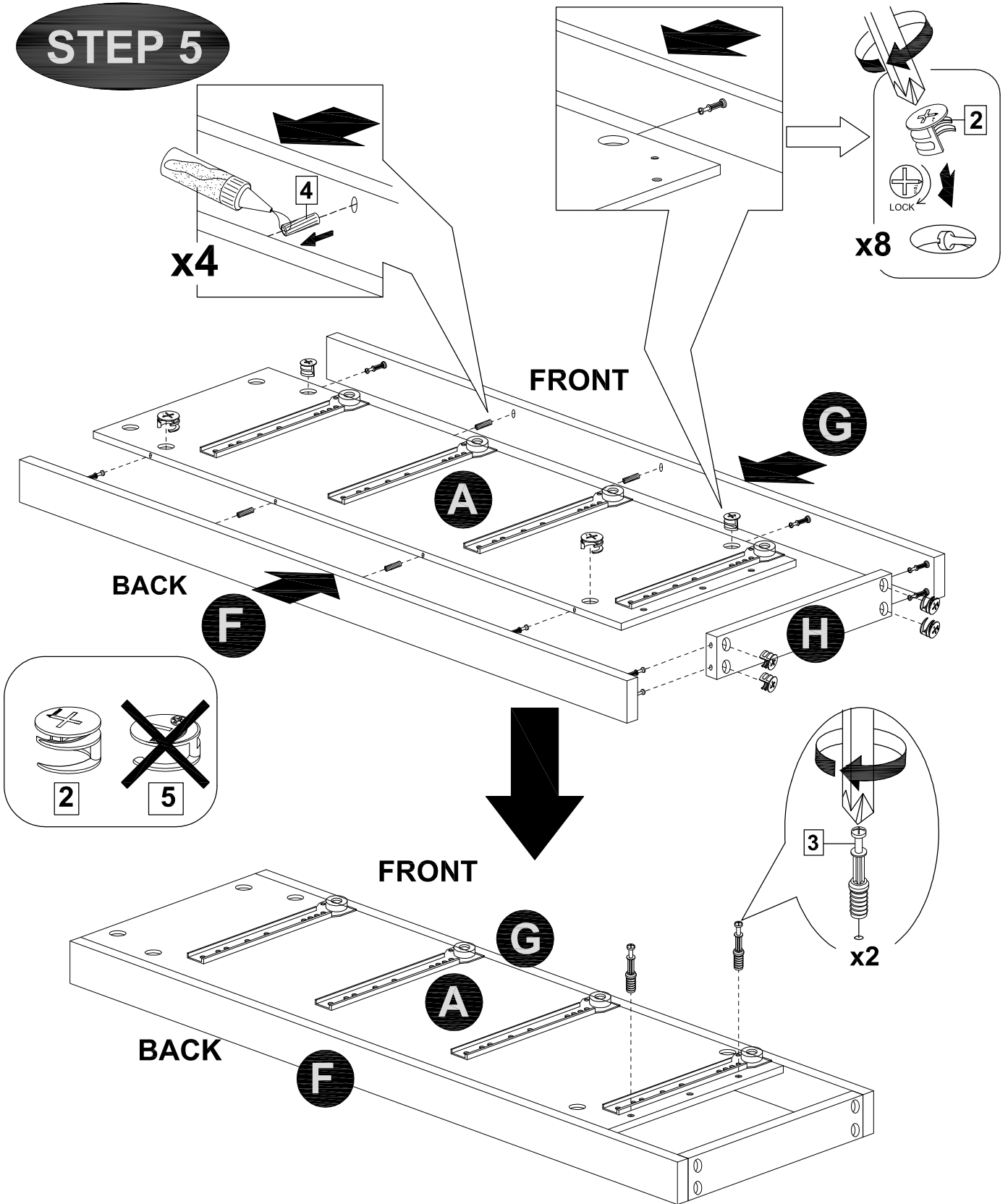
**RESiDE®**

**MODEL NAME:**

**HAVANA 4 DRAWER BEDSIDE CABINET**

**DC-9288-02 BC: 9400048273458**

**STEP 5**

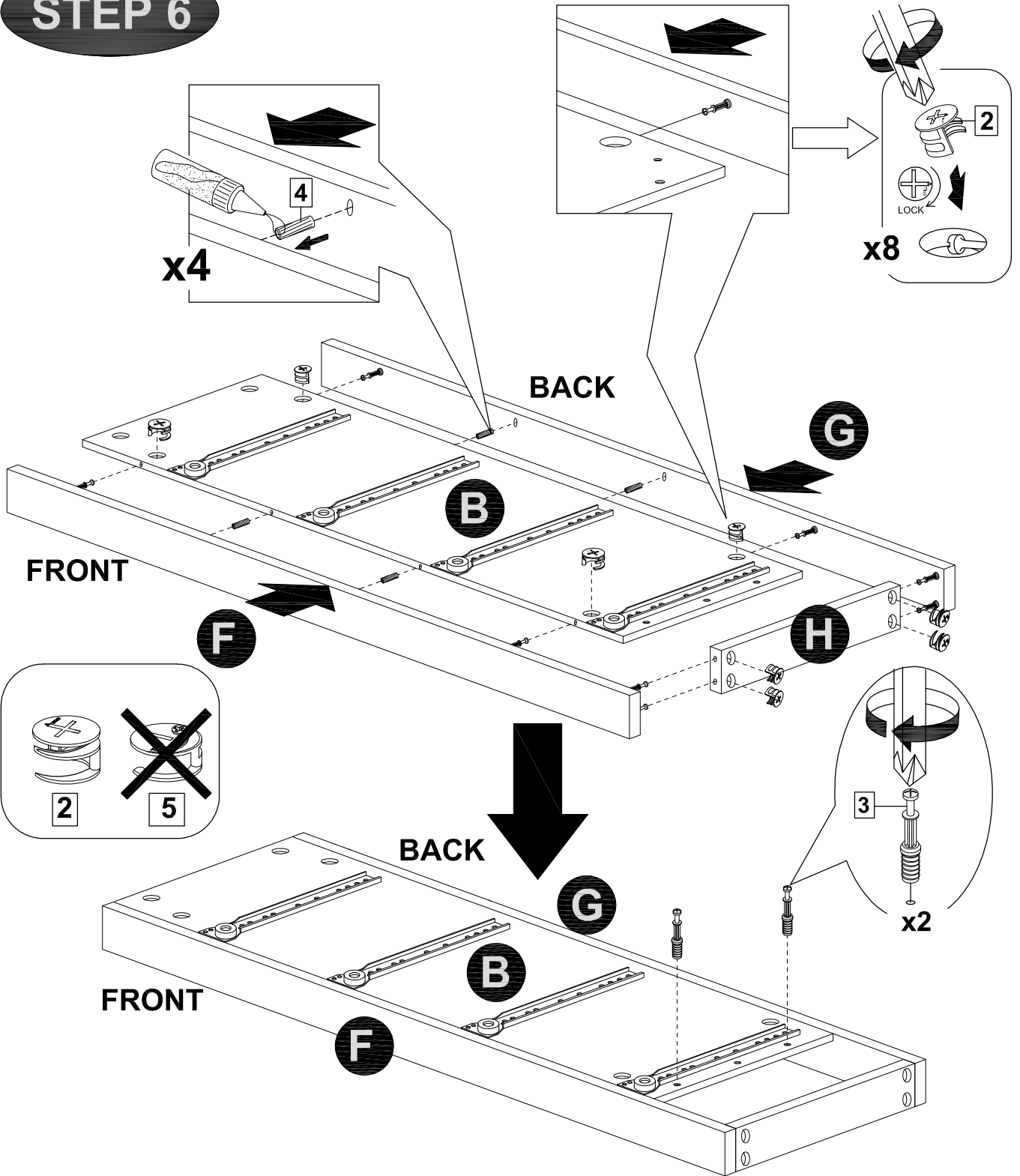




**RESiDE<sup>®</sup>**

**MODEL NAME:**  
HAVANA 4 DRAWER BEDSIDE CABINET  
DC-9288-02 BC: 9400048273458

**STEP 6**



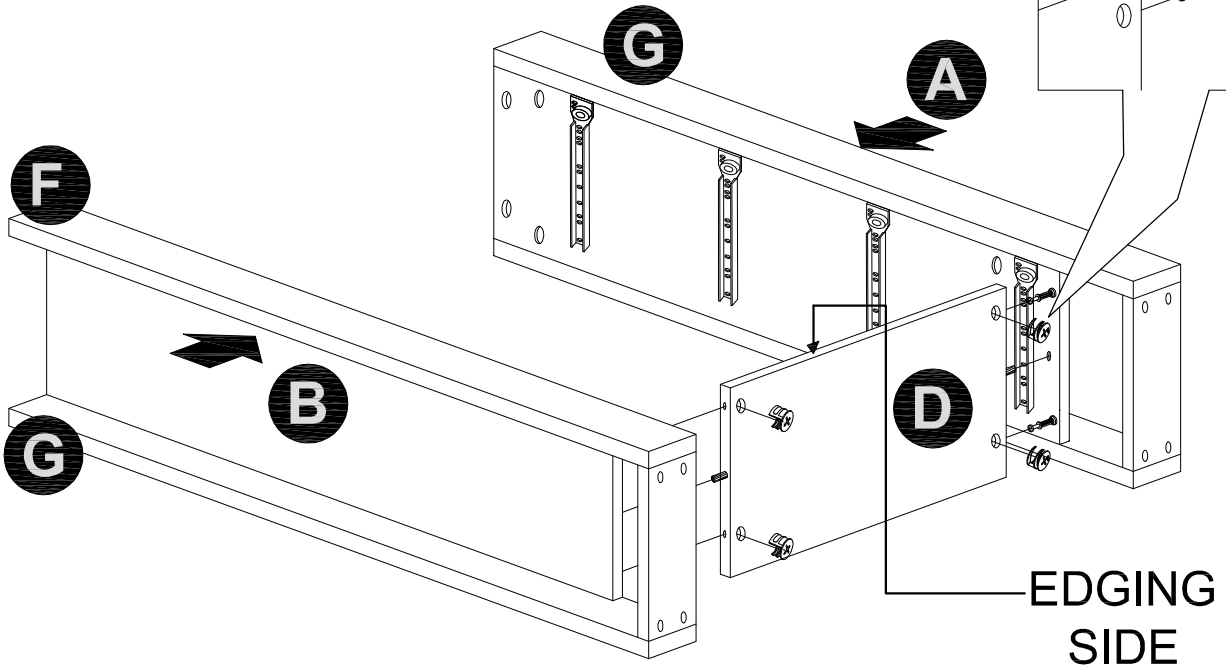
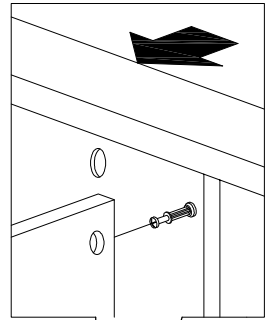
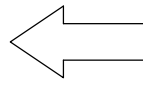
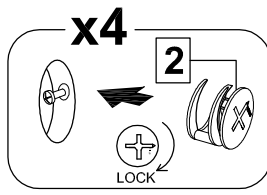
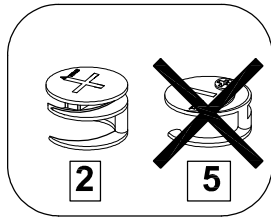
**RESiDE<sup>®</sup>**

**MODEL NAME:**

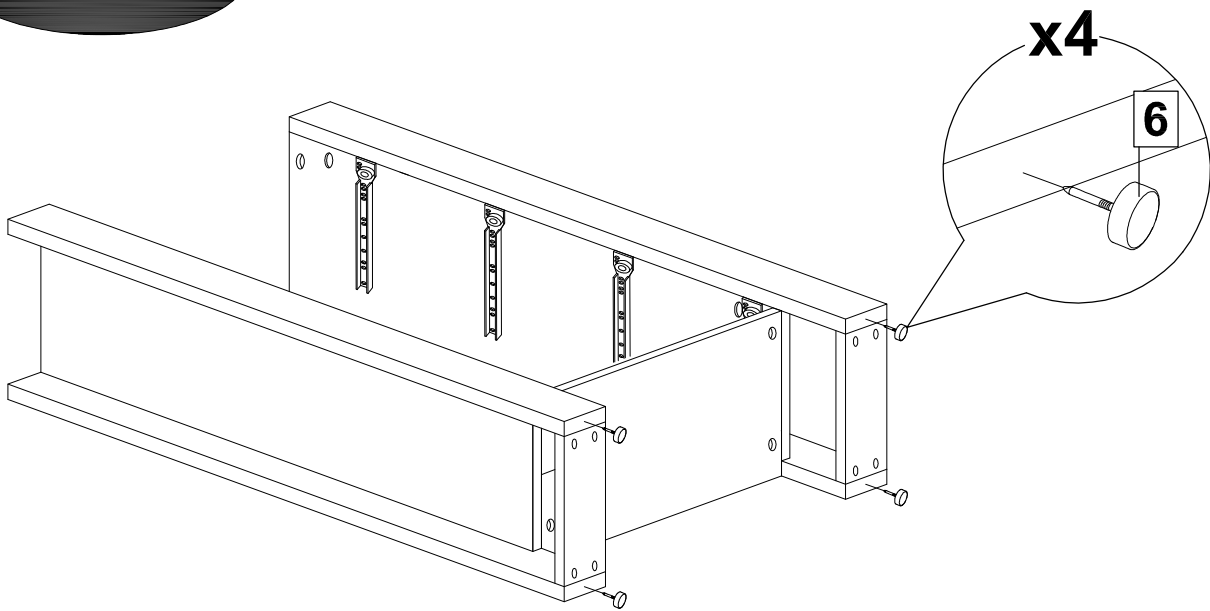
**HAVANA 4 DRAWER BEDSIDE CABINET**

**DC-9288-02 BC: 9400048273458**

**STEP 7**



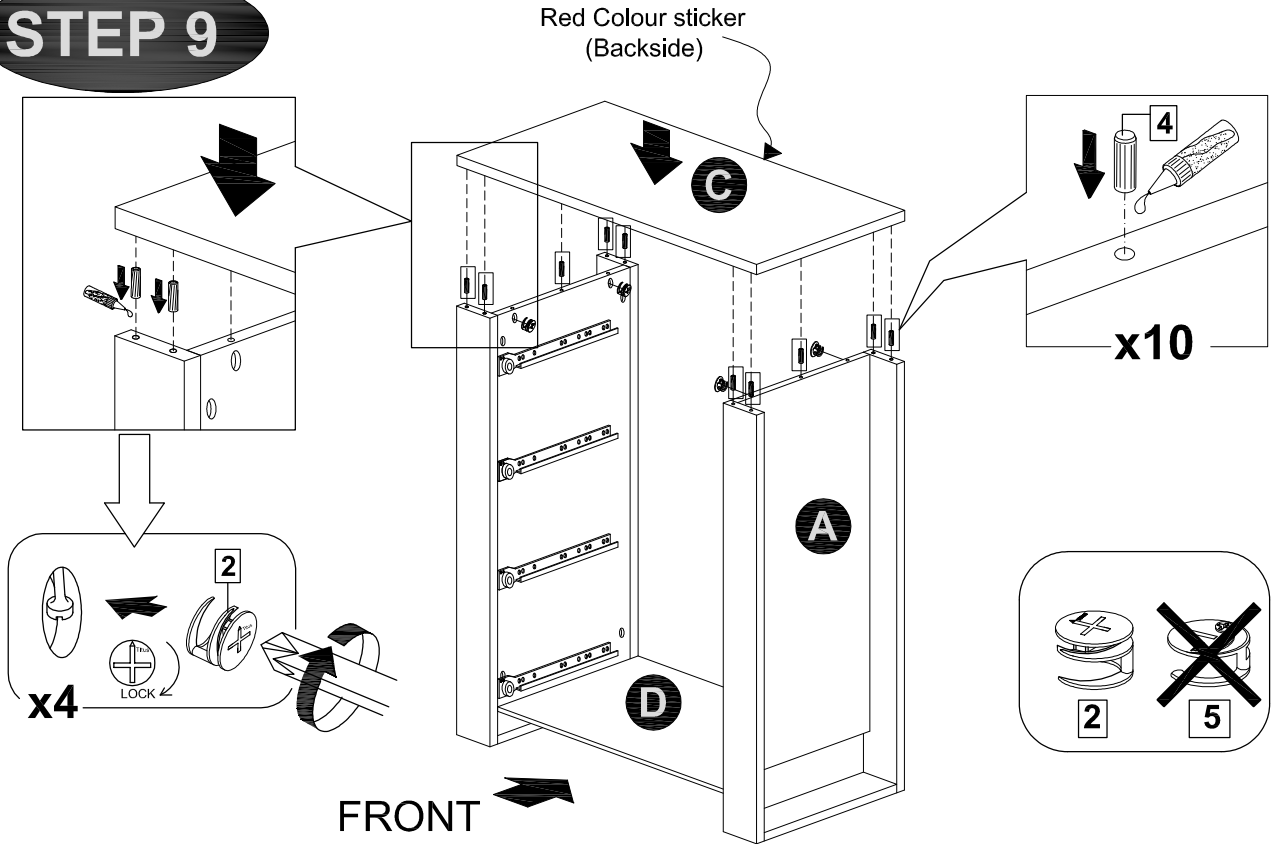
**STEP 8**



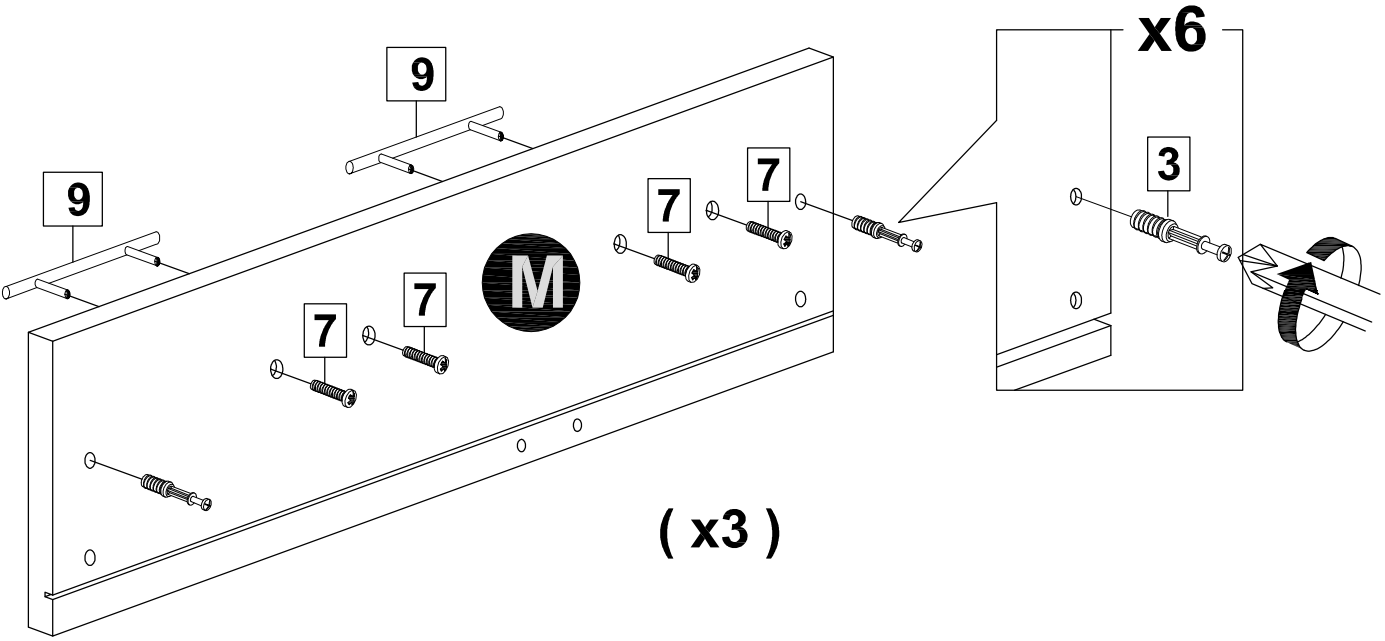
**RESiDE<sup>®</sup>**

**MODEL NAME:**  
HAVANA 4 DRAWER BEDSIDE CABINET  
DC-9288-02 BC: 9400048273458

**STEP 9**



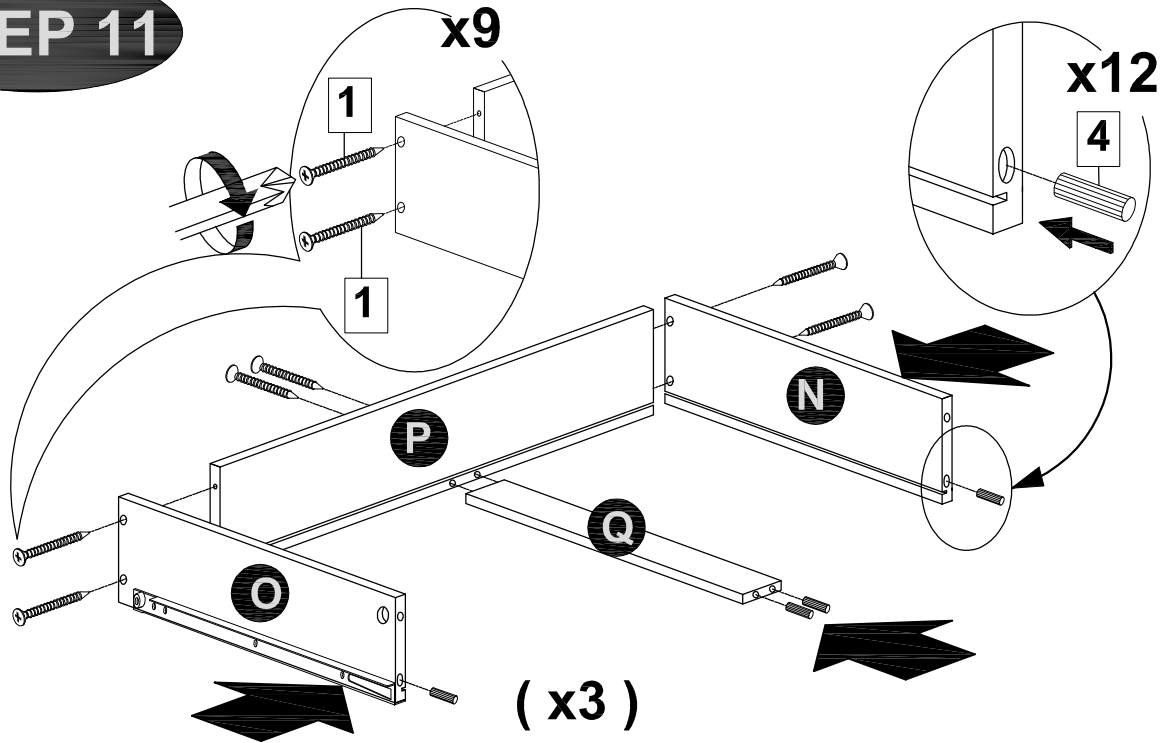
**STEP 10**



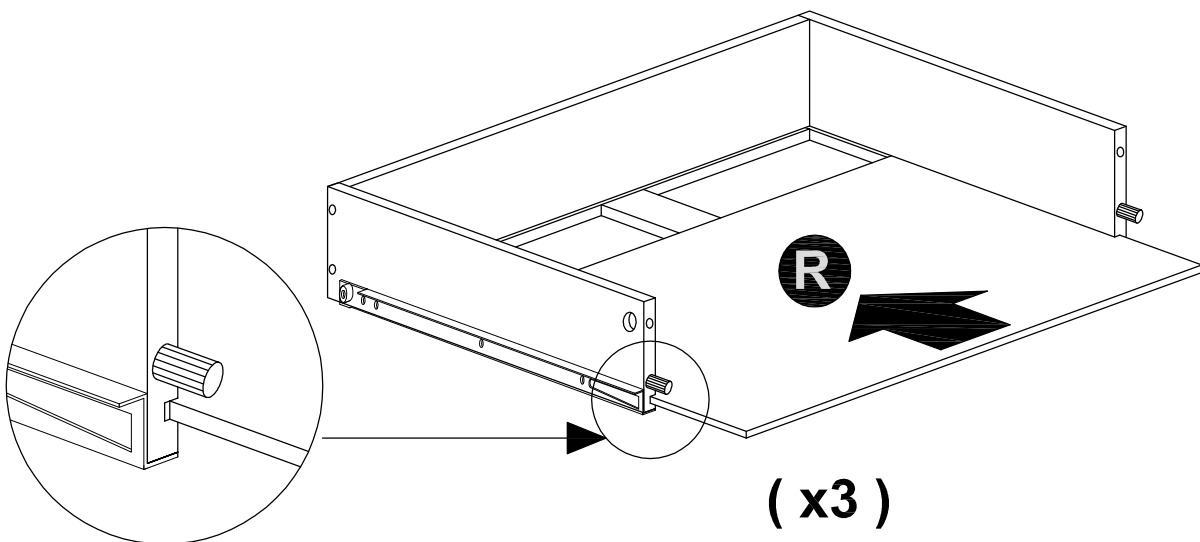


**MODEL NAME:**  
HAVANA 4 DRAWER BEDSIDE CABINET  
DC-9288-02 BC: 9400048273458

**STEP 11**



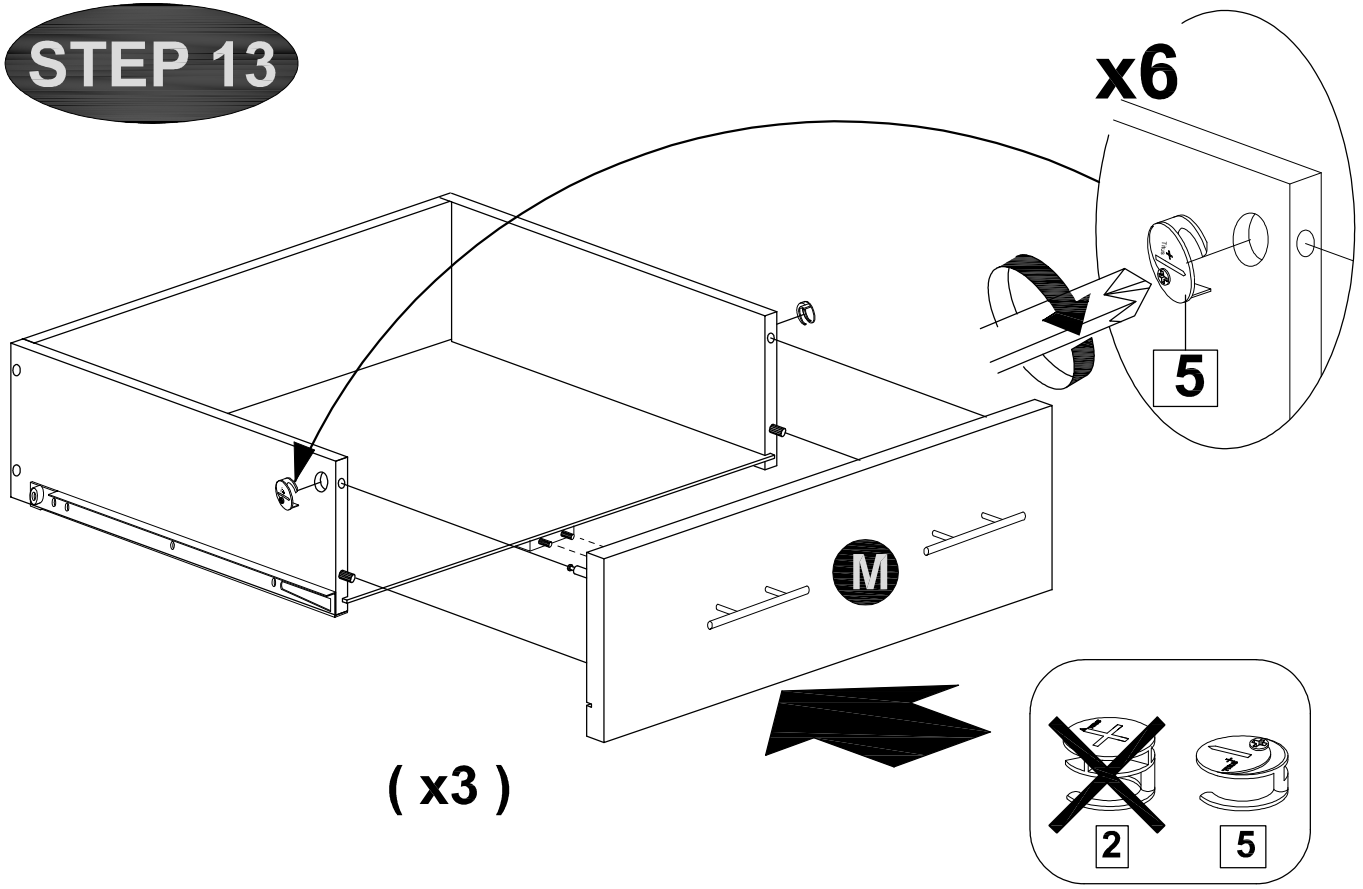
**STEP 12**



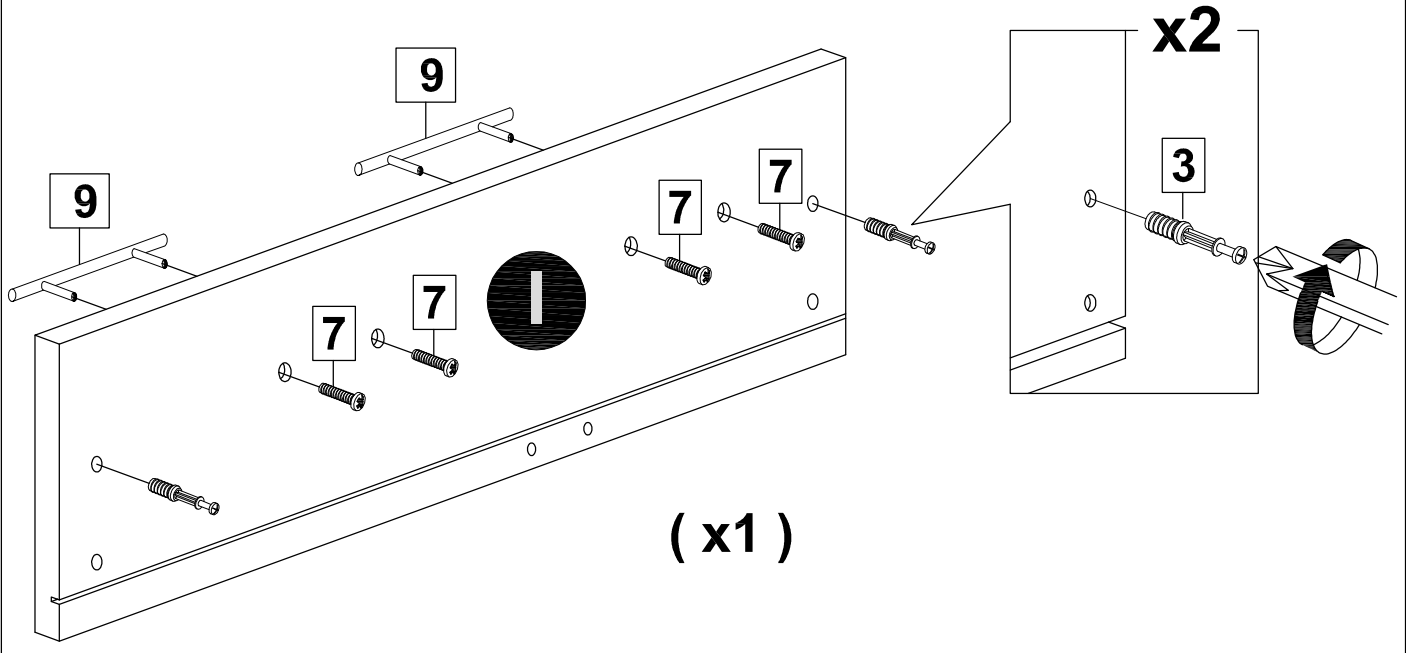


**MODEL NAME:**  
HAVANA 4 DRAWER BEDSIDE CABINET  
DC-9288-02 BC: 9400048273458

**STEP 13**



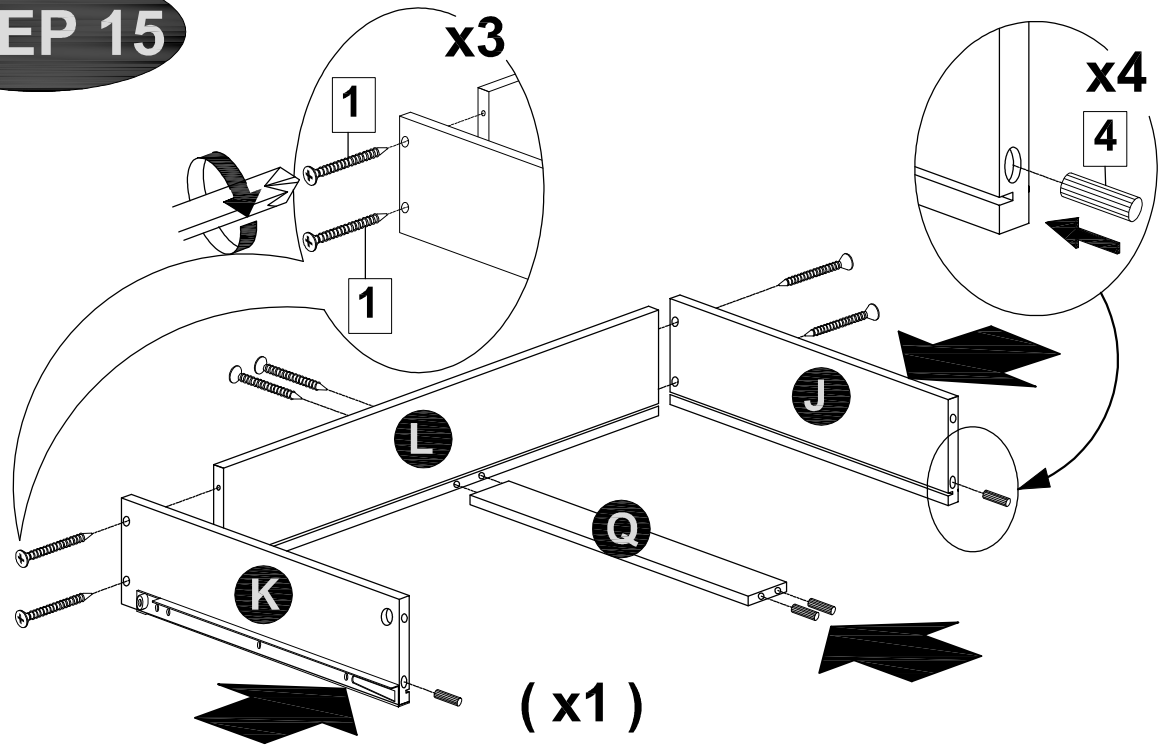
**STEP 14**



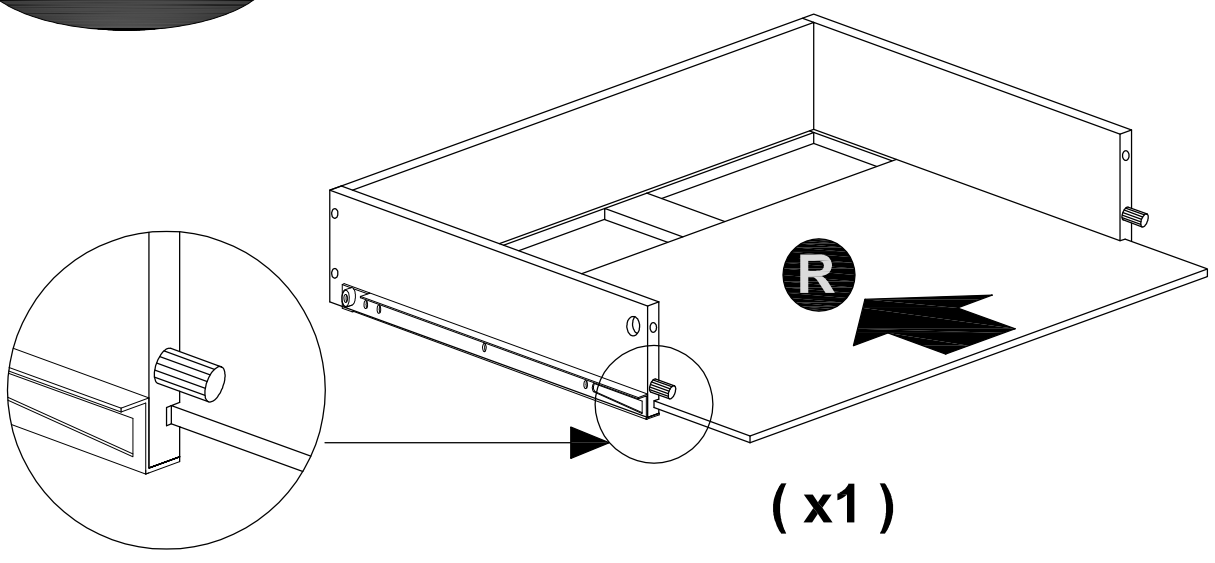
**RESiDE®**

**MODEL NAME:**  
HAVANA 4 DRAWER BEDSIDE CABINET  
DC-9288-02 BC: 9400048273458

**STEP 15**



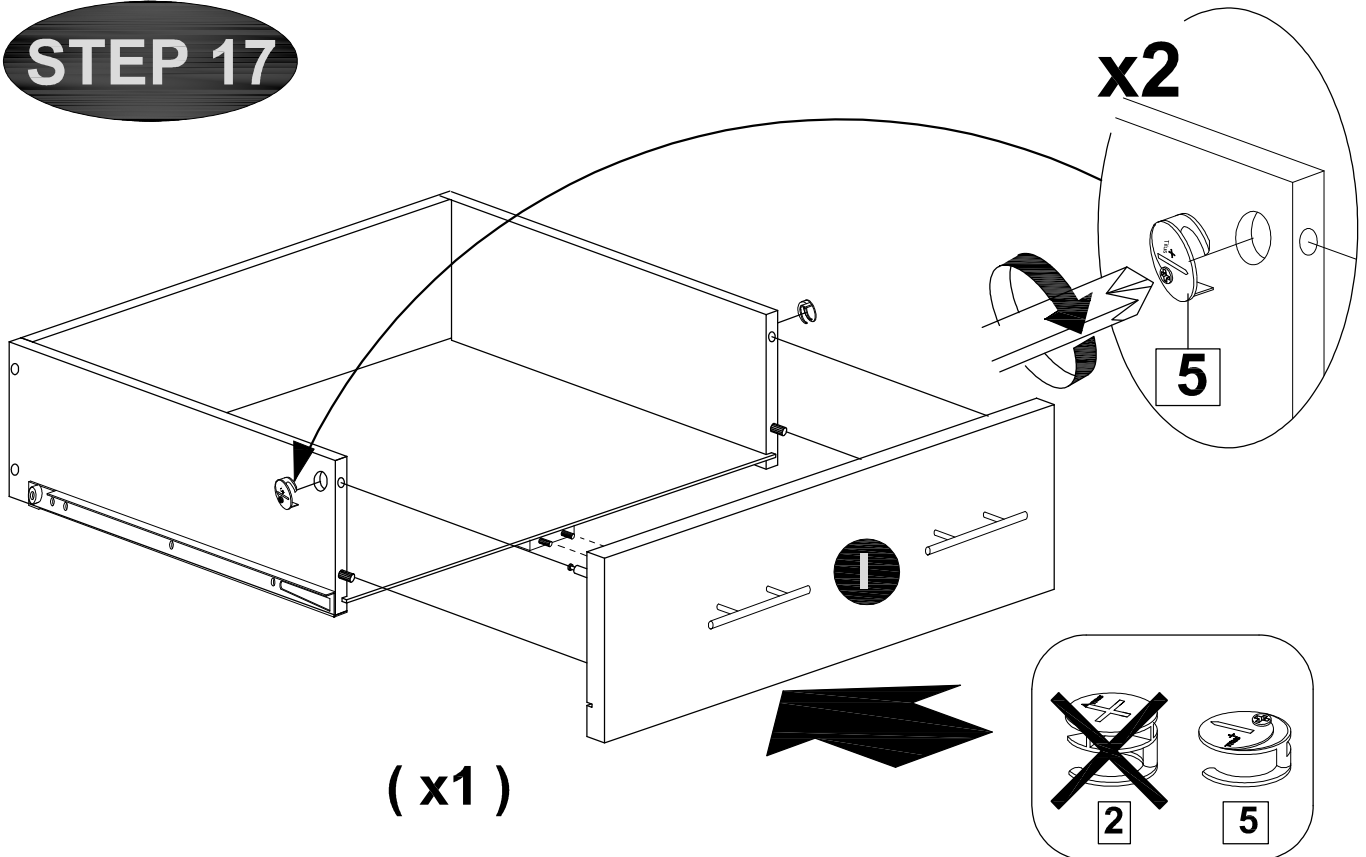
**STEP 16**



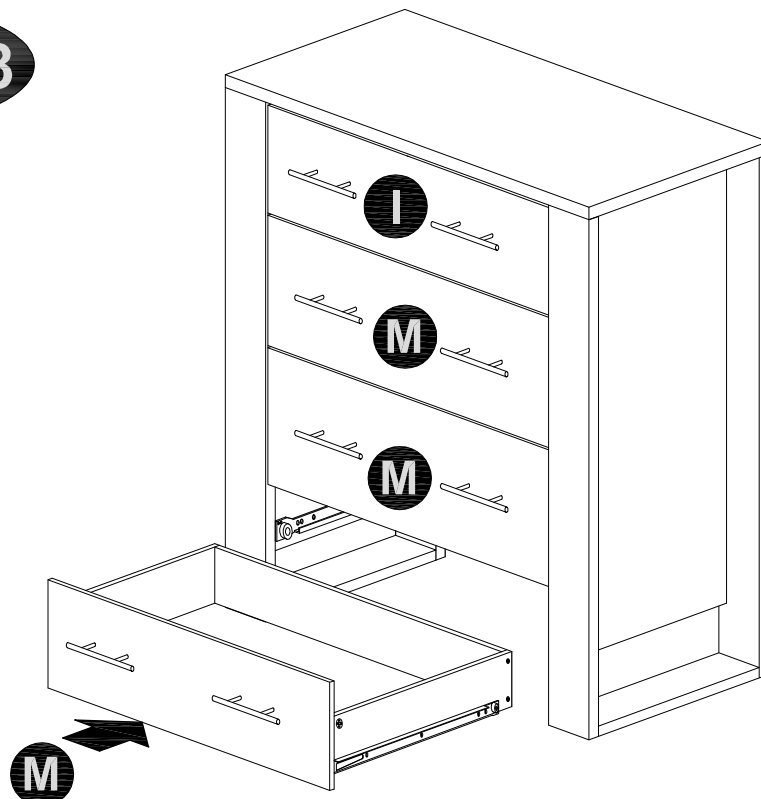


**MODEL NAME:**  
HAVANA 4 DRAWER BEDSIDE CABINET  
DC-9288-02 BC: 9400048273458

**STEP 17**



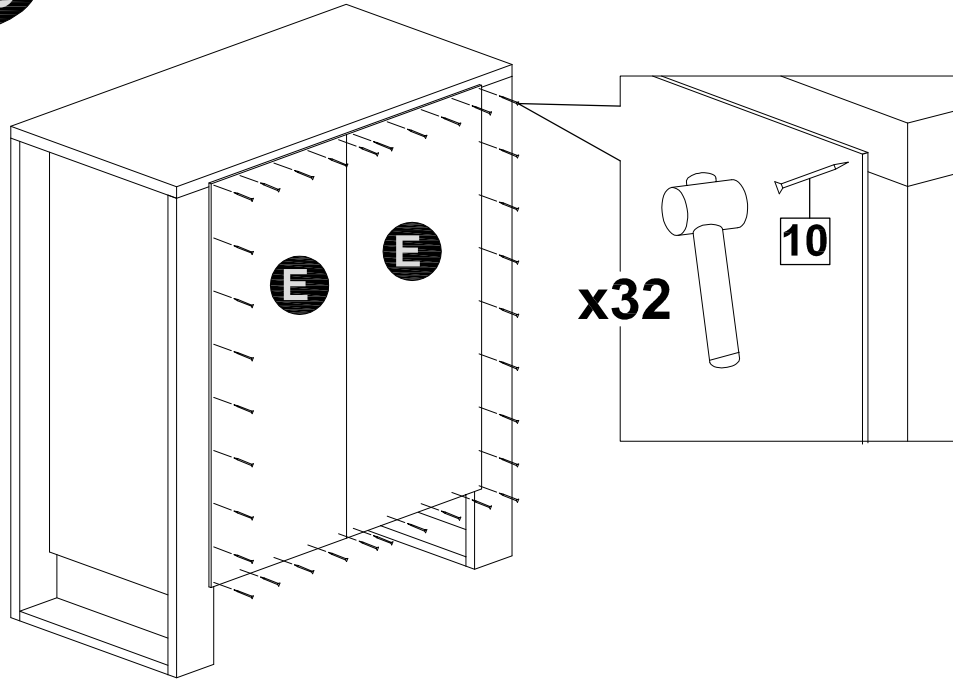
**STEP 18**



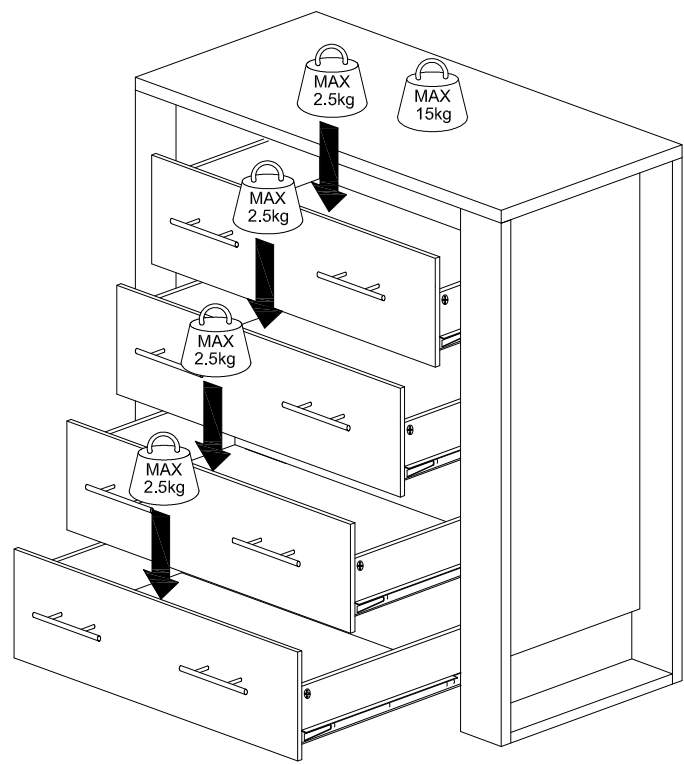


**MODEL NAME:**  
HAVANA 4 DRAWER BEDSIDE CABINET  
DC-9288-02 BC: 9400048273458

**STEP 19**



**STEP 20**



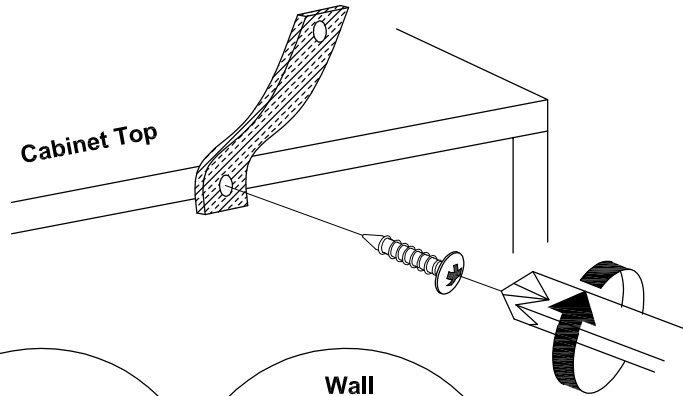




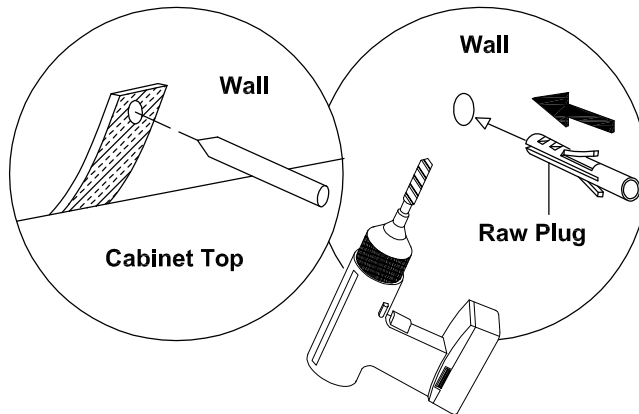
**MODEL NAME:**  
HAVANA 4 DRAWER BEDSIDE CABINET  
DC-9288-02 BC: 9400048273458

## FITTING OF ANTI-TIP BRACKET

**STEP 1 :**  
Insert screws through  
bracket into pre-drilled  
holes in cabinet.

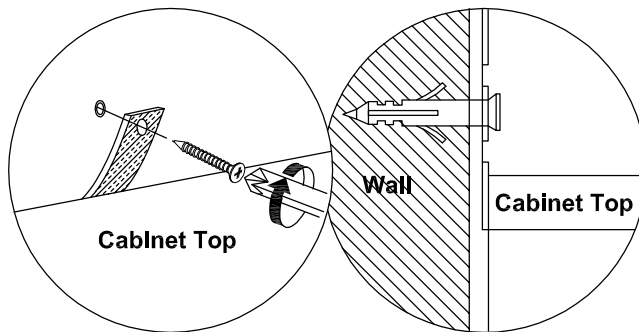


**STEP 2 :**  
Make a mark on  
the wall through  
the bracket.



**Drill a hole in the  
wall and insert the  
raw plug.**

**STEP 3 :**  
Insert screw through  
bracket into hole in wall



**NOTE :** Wall fixings are not supplied with this product as different wall materials require different types of fixing devices (such as Raw plugs on brick work). You must use fixing devices suitable for the type of wall you intend to mount this product to. Please ensure that the head of any screw used is a diameter greater than the diameter of the mounting hole on the bracket and that the fixing is safe and secure before use.

The screw supplied is to fix the anti-tip strap to the cabinet.

### HARDWARE LIST



**Anti-Tip Strap - 2pcs**



**M4 x 16MM - 2pcs**