

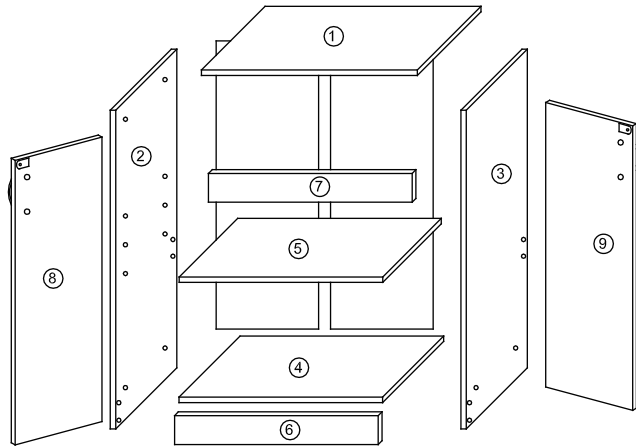


ASSEMBLY INSTRUCTIONS

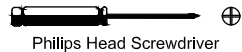
6016 - 9-400032-789101

CAUTION

MATERIAL USE - LAMINATED MEDIUM DENSITY FIBERBOARD AND PARTICLEBOARD FRAME
 ● TO CLEAN USE SOFT DRY CLOTH ● DO NOT USE DETERGENT OR CHEMICALS ● AVOID CONTACT WITH WATER AND DIRECT SUNLIGHT ● TO BE ASSEMBLED ON A SOFT DRY CLEAN AND SMOOTH SURFACE.



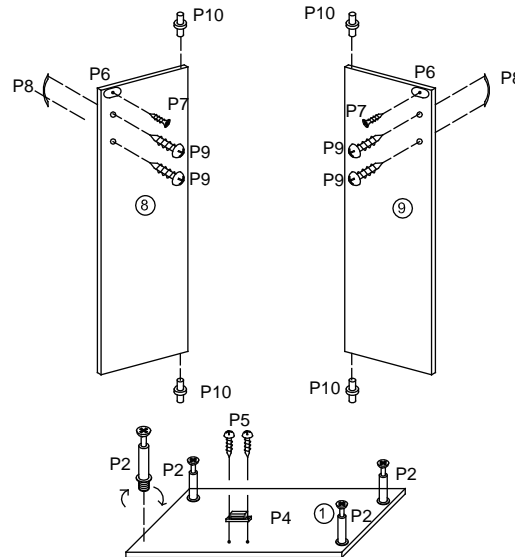
TOOLS NECESSARY



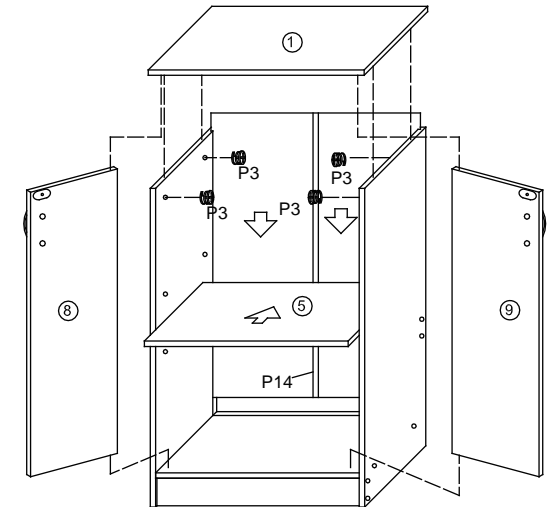
Philips Head Screwdriver

TO CORRECTLY AND SAFELY ASSEMBLE THIS PRODUCT PLEASE USE THE CORRECT SIZE PHILIPS HEAD SCREW DRIVER. PLEASE NOTE USING A POWER DRILL MAY CAUSE DAMAGE TO THE PRODUCT. DO NOT OVERTIGHTEN.

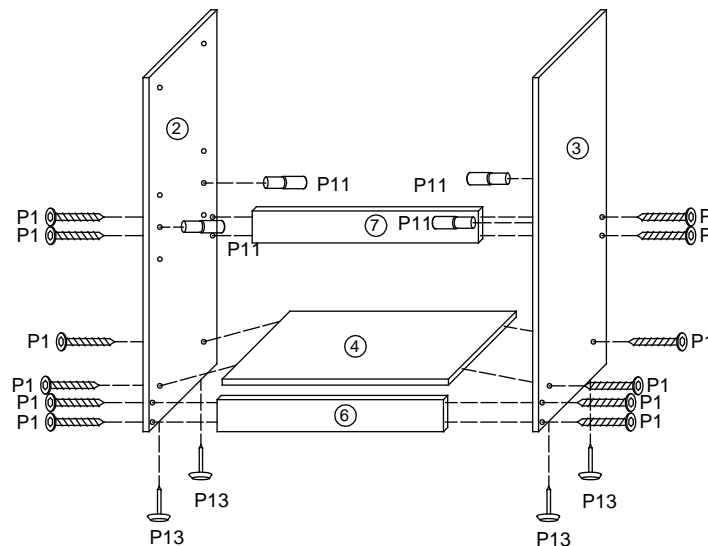
1



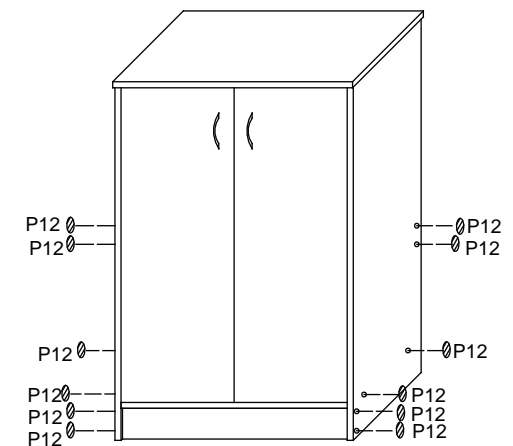
2



3



4



P1		FLAT TOP SCREW (M5X40)	12 pcs
P2		CAM BOLT	4 pcs
P3		CAM	4 pcs
P4		MAGNET STOPPER	1 pc
P5		DRAWER SCREW (M3X14)	2 pcs
P6			2 pcs
P7		DRAWER SCREW (M3X8)	2 pcs
P8		MOONSHAPE HANDLE	2 pcs
P9		MC SCREW (M5X20)	4 pcs
P10		ADJUSTABLE SHELF STUD	4 pcs
P11		SHELF STUD (small)	4 pcs
P12		CAP	12 pcs
P13		PLASTIC LEG STUD	4 pcs
P14		H.PROFILE	1 pc
P15		ALLEN KEY	1 pc