



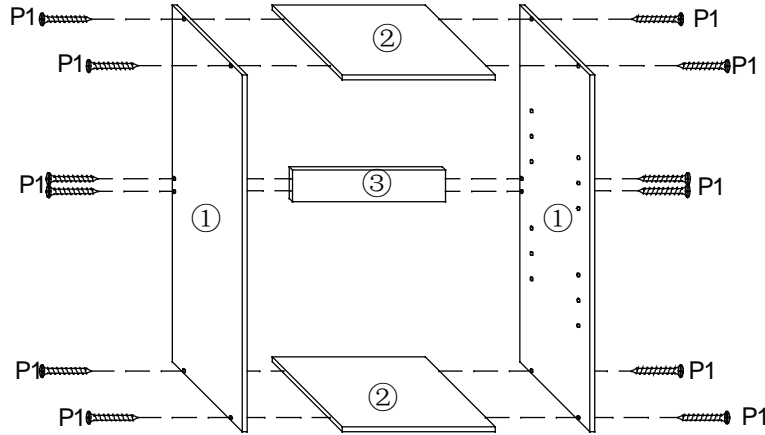
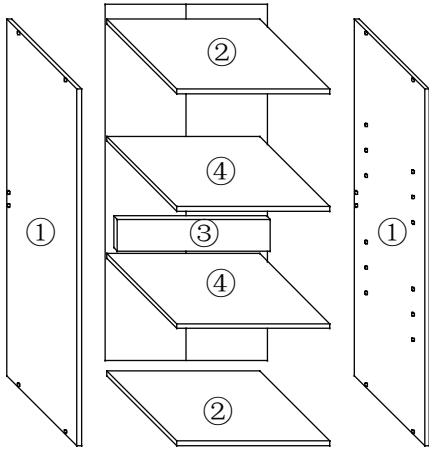
# ASSEMBLY INSTRUCTIONS

2006W - 9-400032-789095

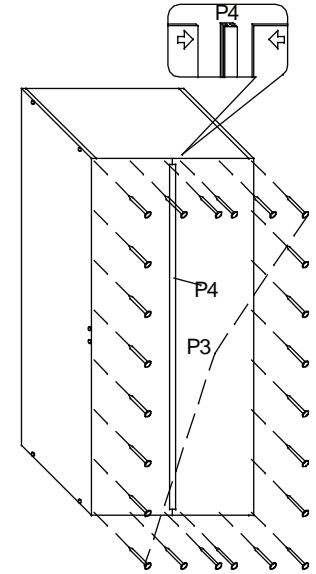
## CAUTION

MATERIAL USE - LAMINATED MEDIUM DENSITY FIBERBOARD AND PARTICLEBOARD FRAME  
 • TO CLEAN USE SOFT DRY CLOTH • DO NOT USE DETERGENT OR CHEMICALS • AVOID CONTACT WITH WATER AND DIRECT SUNLIGHT • TO BE ASSEMBLED ON A SOFT DRY CLEAN AND SMOOTH SURFACE.

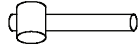
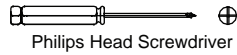
1



2



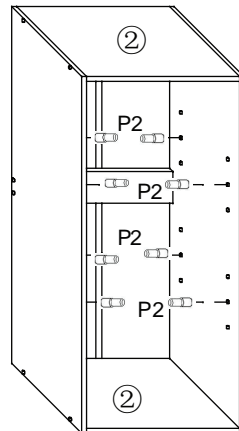
### TOOLS NECESSARY



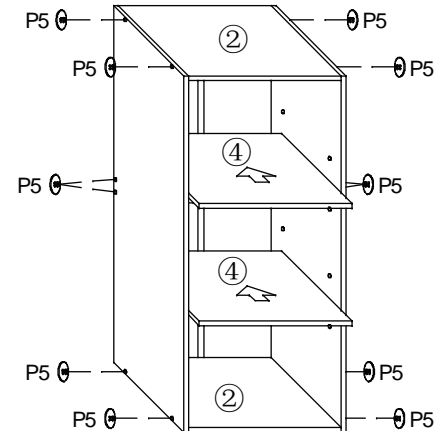
TO CORRECTLY AND SAFELY ASSEMBLE THIS PRODUCT PLEASE USE THE CORRECT SIZE PHILIPS HEAD SCREW DRIVER. PLEASE NOTE USING A POWER DRILL MAY CAUSE DAMAGE TO THE PRODUCT. DO NOT OVERTIGHTEN.

P1		FLAT TOP SCREW (M4X35)	12 pcs
P2		SHELF STUD	8 pcs
P3		NAIL	24 pcs
P4		H.PROFILE	1 pc
P5		CAP	12 pcs

3



4



5

