

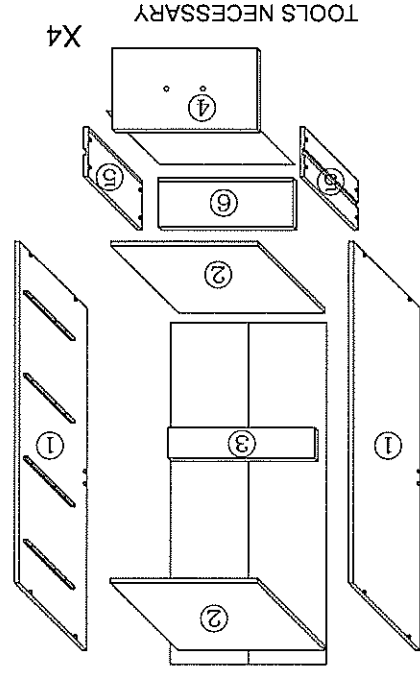


ASSEMBLY INSTRUCTIONS

2007W - 9-400032-789064

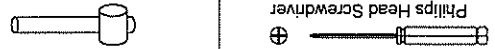
CAUTION

MATERIAL USE - LAMINATED MEDIUM DENSITY FIBERBOARD AND PARTICLEBOARD FRAME
 • TO CLEAN USE SOFT DRY CLOTH • DO NOT USE DETERGENT OR CHEMICALS • AVOID CONTACT WITH WATER AND DIRECT SUNLIGHT • TO BE ASSEMBLED ON A SOFT DRY CLEAN AND SMOOTH SURFACE.



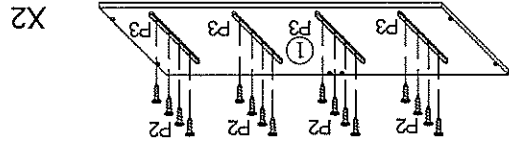
P1	FLAT TOP SCREW (M4X35)	44 pcs
P2	DRAWER SLIDER	8 pcs
P3	DRAWER SCREW (M3X8)	32 pcs
P4	H.PROFILE	1 pc
P5	CAP	12 pcs
P6	MOONSHAPE HANDLE MC SCREW	4 pcs
P7	NAIL	24 pcs

TO CORRECTLY AND SAFELY ASSEMBLE THIS PRODUCT PLEASE USE THE CORRECT SIZE PHILIPS HEAD SCREWDRIVER PLEASE NOTE USING A POWER DRILL MAY CAUSE DAMAGE TO THE PRODUCT DO NOT OVERTIGHTEN.

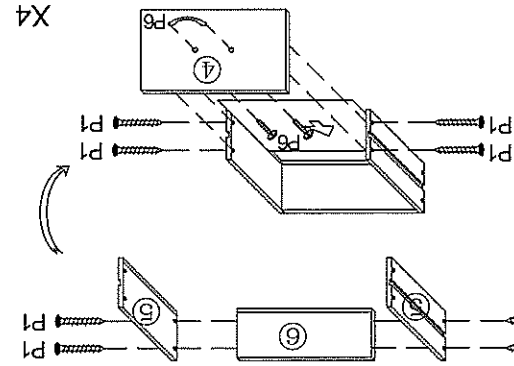


TO CORRECTLY AND SAFELY ASSEMBLE THIS PRODUCT PLEASE USE THE CORRECT SIZE PHILIPS HEAD SCREWDRIVER PLEASE NOTE USING A POWER DRILL MAY CAUSE DAMAGE TO THE PRODUCT DO NOT OVERTIGHTEN.

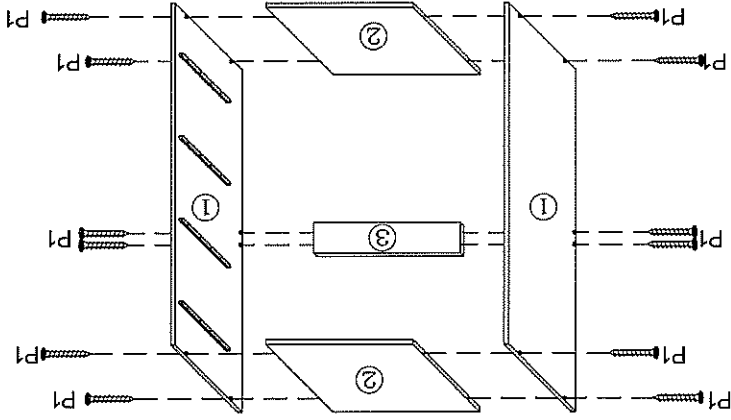
2



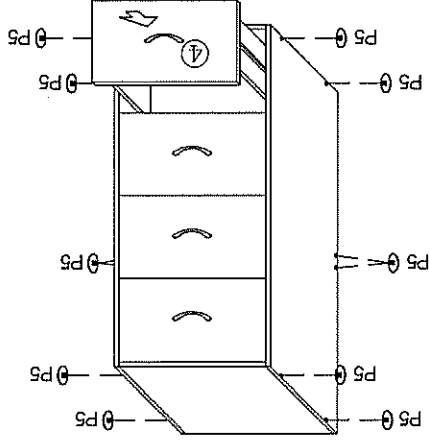
1



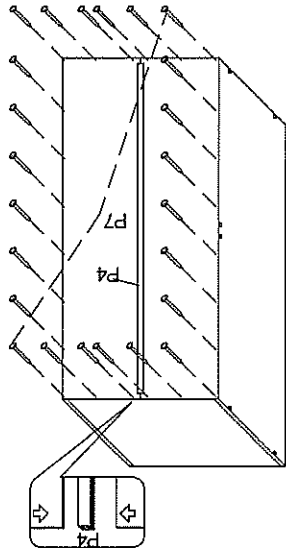
3



5



4



6

