



**VEON™**  
**USER MANUAL**

**VN3298TS**

**Home Audio System**

Please retain this manual for all future use and reference

# CONTENTS

---

Important Safety Instructions .....	3-5
Introduction .....	6
Product Overview.....	7-8
General Operation.....	9-14
Product Specification.....	15
Guarantee Card .....	16

# IMPORTANT SAFETY INSTRUCTIONS

---

## Helpline

For Technical Assistance

Please call

0800 422 274

### SYMBOLS



### IMPORTANT SAFEGUARDS

**When using any electrical apparatus always observe safety regulations and use basic safety precautions to reduce the risk of fire, electric shock and personal injury, including the following.**

# IMPORTANT SAFETY INSTRUCTIONS

---

**When using any electrical apparatus always observe safety regulations and use basic safety precautions to reduce the risk of fire, electric shock and personal injury, including the following.**

1. Read, Keep and Follow these instructions, heeding all Warnings.
2. Keep out of reach of young children. This apparatus is not suitable for use by young children or infirm persons without supervision. Young children must be supervised to ensure that they do not play with the apparatus.
3. This appliance is not intended for use by persons (including young children) with reduced physical, sensory or mental capabilities, or lack of experience and knowledge, unless they have been given supervision or instruction concerning use of the appliance by a person responsible for their safety.
4. WARNING. Do not insert any objects into any openings of an electrical apparatus.
5. WARNING. Do not touch any moving parts of any electrical apparatus.
6. WARNING! Where the mains plug or an appliance coupler is used as the disconnect device, the disconnect device shall remain readily operable
7. WARNING. Do not use this apparatus near water. To avoid the risk of fire or electric shock, do not expose this apparatus to rain or moisture. The apparatus shall not be exposed to dripping or splashes.
8. WARNING. No objects filled with liquid, such as vases, shall be placed on any electrical apparatus.
9. Do not immerse in any liquid whilst in use or in cleaning. Clean only with a damp cloth, dry with a dry towel. Do not use harsh abrasives as these may damage plastic parts.
10. DO NOT block any ventilation openings. Keep away from curtains, newspapers and restricted areas. Install in accordance with any specific manufacturer's instructions. Always allow a sufficient gap around the apparatus to avoid overheating.
11. DO NOT install near any heat sources such as radiators, gas heaters, stoves or other apparatus (including amplifiers) that produce heat. Do not leave in direct sunlight.
12. WARNING. Do not place any naked flame source, such as lighted candles on any electrical apparatus.
13. WARNING! Connect to a suitable 100-240V ~ 50/60 Hz power supply only. If a class 1 product it must be connected to a suitably earthed mains socket.
14. Always unplug from the power source when any electrical apparatus is not in use.
15. Do not abuse or damage a power cord. If any power cord is damaged, it must be replaced by the manufacturer, its service agent or a similarly qualified person in order to avoid a hazard. A replaceable cord must be replaced with an authorised replacement from an authorised service agent only.
16. Only use attachments/accessories specified by the manufacturer.

# IMPORTANT SAFETY INSTRUCTIONS

---

17. Unplug this apparatus during lightening storms or when unused for long periods of time.
18. Attention is drawn to the environmental aspects of disposing of any battery.
19. Refer all servicing to qualified personnel. Servicing is required when the apparatus has been damaged in any way, such as when the power supply cord or plug is damaged, liquid has been spilled or objects have fallen into the apparatus, the apparatus has been exposed to rain or moisture, does not operate normally, or has been dropped.
20. Do not attempt to service any double insulated apparatus. Double insulated apparatus requires specialist servicing and knowledge to retain the safety of the apparatus.
21. WARNING. Do not use any electrical apparatus outdoors. If any electrical apparatus is to be used outdoors, use a suitable Isolating transformer or Electrical Safety Switch (RCD).
22. For household use only, this apparatus is not intended for commercial use.
23. This appliance is intended to be used in household and similar applications such as
  - staff kitchen areas in shops, offices and other working environments;
  - farm houses
  - by clients in hotels, motels and other residential type environments
  - bed and breakfast type environments
24. If the apparatus is provided with a replaceable or non replaceable Lithium battery, the following applies
  - CAUTION: Danger of explosion if the battery is incorrectly replaced. Replace only with the same or equivalent type.
25. Warning! Dispose of batteries according to the manufacturers instructions.
26. If this apparatus is to be used by a third party, please supply these instructions with it.
27. No liability will be accepted for any personal injury or damage caused by failure to follow these instructions.

# Introduction

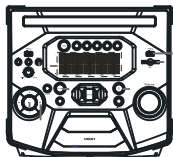
---

Thank you for purchasing this VEON product. Please read this manual in full before making and connection and/or operating this product.

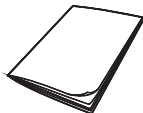
Please retain this user manual for all future use and reference.

## Whats in the Box:

**Sound System**



**User manual**

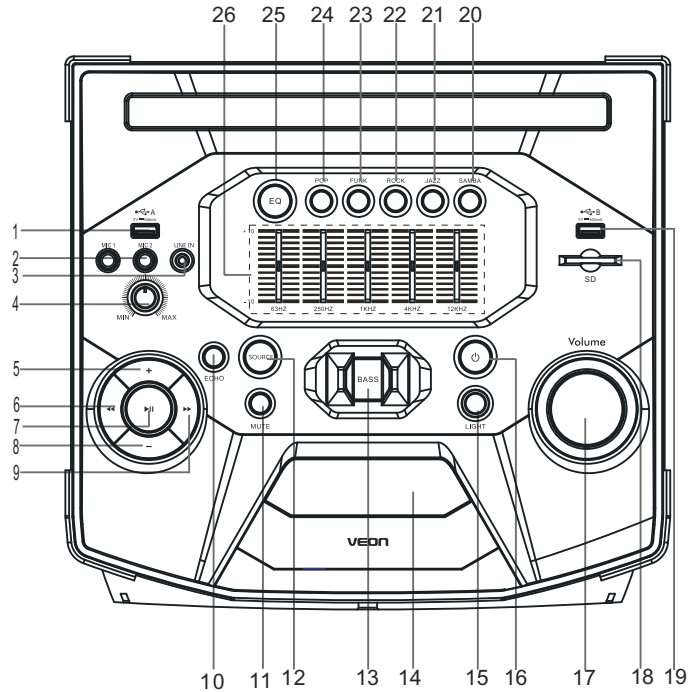


**AC power cord**



# Product Overview

## TOP PANEL CONTROLS:

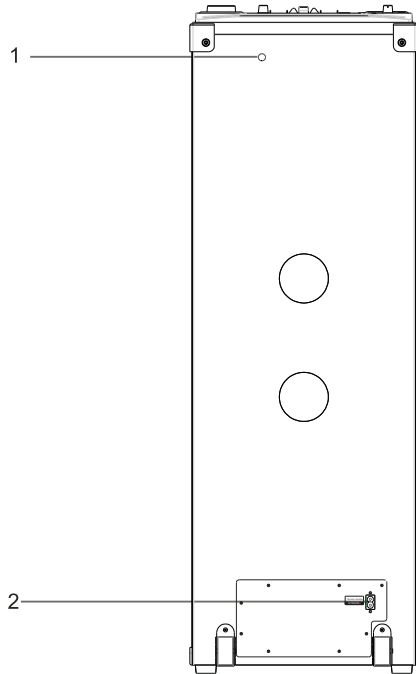


- |                                      |                                |
|--------------------------------------|--------------------------------|
| 1. USB Slot A: Media Playback        | 14. LED Display                |
| 2. Microphone Input: 1&2             | 15. Party Light Control        |
| 3. Line In: AUX input(3.5mm)         | 16. Standby ON/OFF             |
| 4. Microphone volume control         | 17. Master Volume CONTROL      |
| 5. Next Folder: MP3/USB              | 18. SD Card input              |
| 6. Previous Track                    | 19. USB Slot B: Media playback |
| 7. Play/Pause                        | 20. SAMBA Mode                 |
| 8. Previous Folder: MP3/USB          | 21. JAZZ Mode                  |
| 9. Next Track                        | 22. ROCK Mode                  |
| 10. Echo Sound Effect                | 23. FUNK Mode                  |
| 11. Mute                             | 24. POP Mode                   |
| 12. Source Select: FM/USB/BT/LINE IN | 25. EQ                         |
| 13. BASS effect                      | 26. Manual EQ controls         |

# Product Overview

---

Rear panel:



- 1. FM radio Antenna
- 2.AC power input



# General Operation

## Bluetooth Operation



- Repeatedly press **SOURCE** button to switch to BLUE(BLUETOOTH)mode.

**Bluetooth Pairing Name: Veon VN3298TS**

**IMPORTANT:** To make a bluetooth connection you **MUST** have an **ENABLED** bluetooth device such as laptop, smart phone or computer. Not all external device are bluetooth enabled. Please check your devices manual to ensure your selected device is bluetooth enabled.

**Bluetooth Pairing Mode:** The LED display will display " BLUETOOTH".

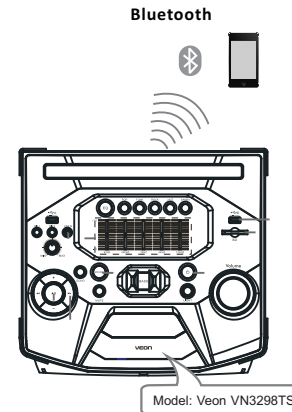
### To make a bluetooth Connection:

To make a bluetooth connection the VEON home audio system must be in pairing mode. Once in pairing mode, use your selected device to search and select the bluetooth pairing name (Veon VN3298TS). If your device requests a pass code please used '0000'. Once a connection has been made the LED display 'CONNE' for connected.

### Bluetooth controls:

Volume: Volume can be controlled on your connected device and the system itself.

PLAY/PAUSE, NEXT and PREVIOUS on the home system are active in bluetooth mode.



# General Operation

---

## LINE IN(AUX) Operation



- Repeatedly press **SOURCE** button to switch to LINE(LINE IN:AUX 3.5MM)mode.

The LINE IN input is located on the top panel of the home audio system.Using the appropriate 3.5mm audio cable connect insert to the LINE IN input and connect to your selected external device.

NOTE:3.5MM Audio Cable is not included in the purchase of this product.

# General Operation

---

## FM Radio Operation

For FM Radio operation please repeatedly press the SOURCE button to select 'RADIO' FM radio mode.

PLAY/PAUSE



● Short press the 'PLAY/PAUSE' button to AUTO SCAN&STORE the available radio stations within the region.



● Press the + to manually and fine tune (increase) your desired radio station.



● Press the - to manually and fine tune (decrease) your desired radio station.



● Press the ►► to skip to the next preset station.



● Press the ◀◀ to skip to the previous preset station.

# General Operation

---

## USB and SD Card Operation

Repeatedly press the SOURCE button to select USB A, USB B or SD. Connect your USB storage device or SD card to the appropriate input. Ensure your selected audio media is transferred and loaded onto your selected USB drive/stick or SD Card. Once successfully connected the home system will automatically register this connection and begin playback.

The below function on your home audio system are as below.

FOLDER+



● Press + to go to the next folder within your connect device.

FOLDER-



● Press - to go to the previous folder within your connect device.



● Press » to go to the next track.



● Press « to go to the previous track.

# General Operation

---

## Microphone Operation

To connect a microphone or microphones to the home audio system, insert the microphone connection cable into the 6.5mm microphone input on the top panel of the unit.

The microphone input can be used under all sources.

The volume of the microphone/s connected can be controlled by the MIC VOLUME located below the microphone inputs.

## Bass Boost Operation

The home audio system is equipped with a 'BASS BOOST' function which will provide extra bass and sound for a short period of time.

The 'BASS BOOST' effect works for 25-30 seconds after the BASS button has been pushed.

You MUST allow about 40 seconds before pressing the 'BASS' button again. You must let the home system recover before pressing again.

If you press the BASS button before waiting about 40 seconds no effect will be heard.

# General Operation

---

## Party Light Operation

The home audio system is equipped with LED lights for a PARTY LIGHT MODE.

The LED light lights can be turned off by the LIGHT button on the top panel. The PARTY LIGHT mode has several light modes depending on your choice. Repeatedly press the light button to select your desired light mode.

# Specifications

---

Power supply		AC ~100-240V/50/60Hz
Power consumption		200W
Working environment	Temperature	-10~+35 ℃
	Relative humidity	5%~90%
Speaker output (Max)		400W
FM tuner band range		87.5MHz-108MHz
Frequency response		± 3dB(50Hz~20kHz)

## Guarantee Card

This product is guaranteed against faulty materials and workmanship for a period of two years from the date of purchase. The obligation to the purchaser under this warranty is limited to servicing the unit and replacing defective parts when the product is returned freight prepaid to the retailer. This warranty becomes void if the product has been tampered with, damaged by accident, damaged in any other way by improper use or has been purchased second hand. All production orders have quality inspections. In the unlikely event of a deficiency, please contact the retailer from which this product was purchased.

### WARRANTY FOR PRODUCTS USED COMMERCIALY LIMITED TO 90 DAYS

Type of Product: \_\_\_\_\_

Model No.: \_\_\_\_\_ Purchase Date: \_\_\_\_\_

Product Purchased From: \_\_\_\_\_

\_\_\_\_\_

Your Name: \_\_\_\_\_

Address: \_\_\_\_\_

\_\_\_\_\_ Phone Number: \_\_\_\_\_

### IMPORTANT!

Please retain this warranty card along with your purchase receipt. Please do not post to the retailer or importer. If service is required, both of these documents are to be returned with the product to your retailer, otherwise a fee may be charged.

New Zealand call Toll Free 0800-422-274