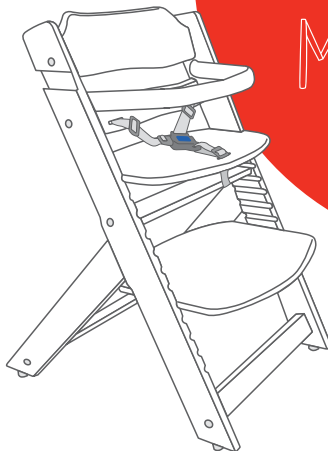


**modd**  
**highchair**



instruction

MANUAL

**IMPORTANT! KEEP FOR  
FUTURE REFERENCE**

Illustrations and designs may vary.



follow us on    
[motherschoice.com.au](https://www.motherschoice.com.au)

*the only choice*

# contents

	pg.
Warnings .....	3
Components list .....	5
<i>assembling the highchair</i>	
Assembly instructions .....	7
<i>using the highchair</i>	
Configuring the highchair .....	18
Using safety harness .....	25
<i>care and maintenance</i>	
Care and maintenance .....	31
Product registration .....	35
<i>contacts</i>	
Customer service .....	36

### **Congratulations on your purchase.**

To ensure maximum protection and optimum comfort for your child, it is essential that you read through the entire manual carefully and follow all instructions.

- Complies with safety requirements. Laboratory tested in accordance with EN 14988 1/2 : 2006+A1:2012.
- Our products have been carefully designed and tested with the safety and comfort of your child in mind.
- This item is designed to be used by a child who can sit up unaided, aged 6 months to 10 years / 30kg, according to the configuration.



## **WARNING:**

- Do not leave the child unattended.
- Make sure that any harness is correctly fitted.
- Always use the seat belt to secure your child in the chair.
- Always secure the infant in the harness and adjust straps to fit their size.
- Do not use the high chair unless all components are correctly fitted and adjusted.
- Be aware of the risk of open fire and other sources of strong heat, such as electric bar fires, gas fires, etc. in the vicinity of the high chair.
- Do not use the high chair until the child can sit up unaided.
- Before using the highchair, verify that all the locking mechanisms are snapped into place and are properly adjusted.
- Always make sure that the highchair is on a stable surface.
- Do not use high chair if any of its parts are broken, torn or missing.

**(cont'd)**

- Regularly verify that the high chair does not have any loose screws or any other part which may cause injury to the child or catch on their clothing, as this could lead to strangulation.

## **WARNING:**

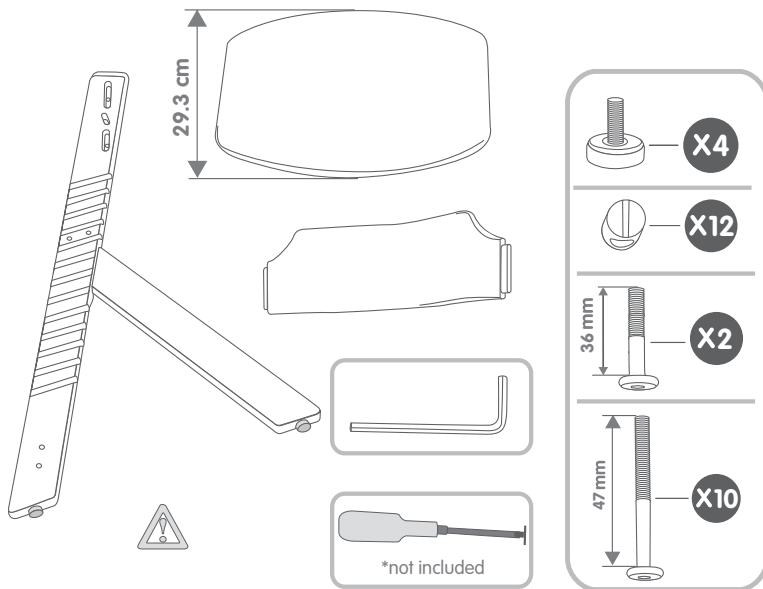
- To avoid risk of suffocation, keep all plastic bags and packaging out of reach of babies and young children.

## **ADVICE:**

- Always keep an eye on the child, since children quickly become more independent.

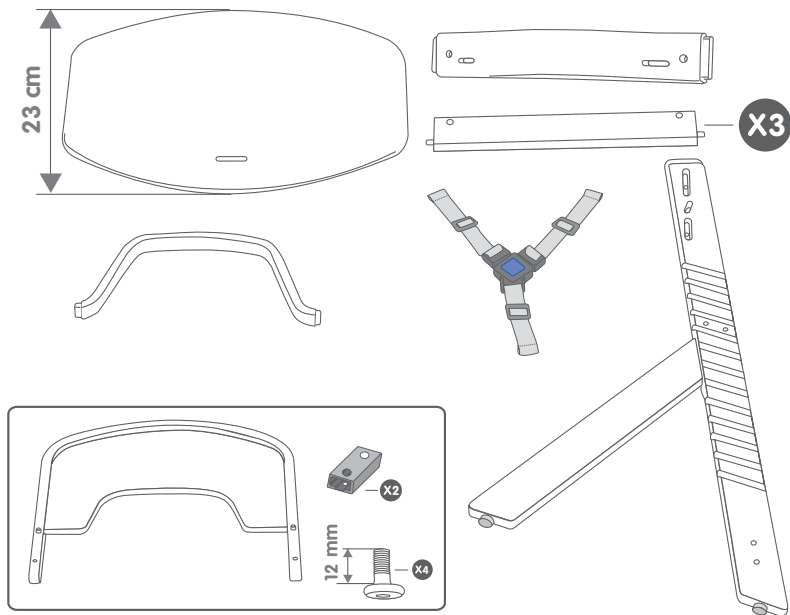
# modd

## components list



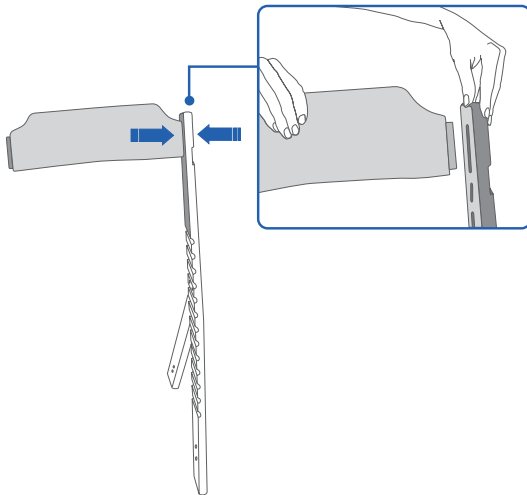
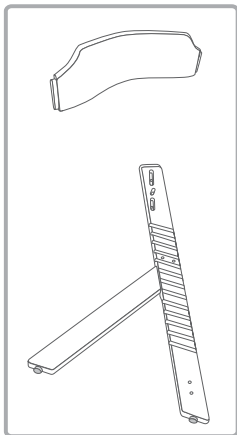
# modd

## components list



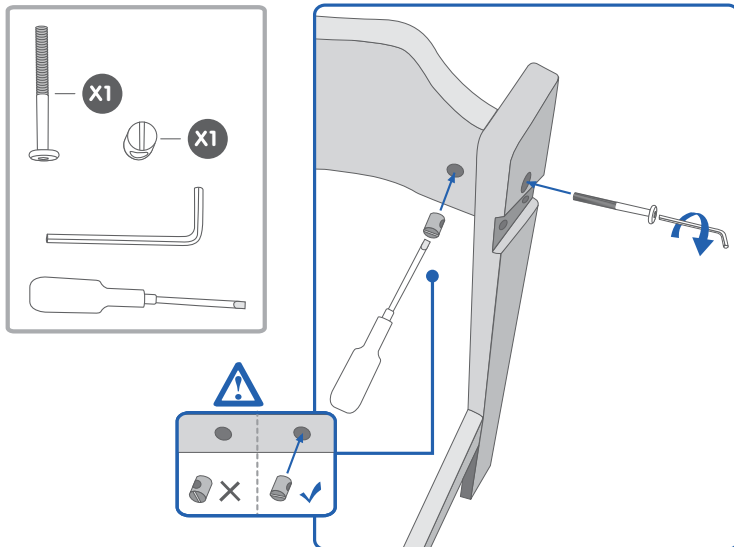
# modd

assembly



# modd

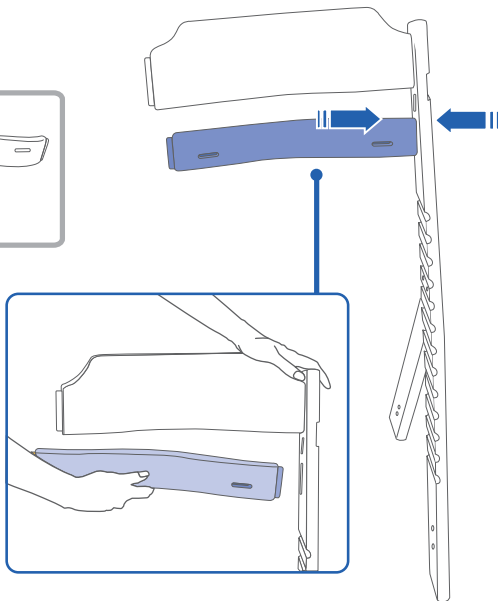
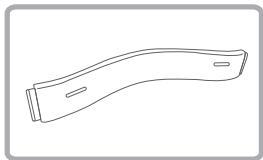
assembly





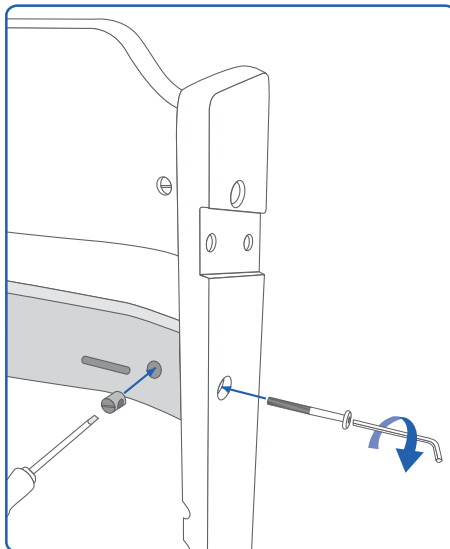
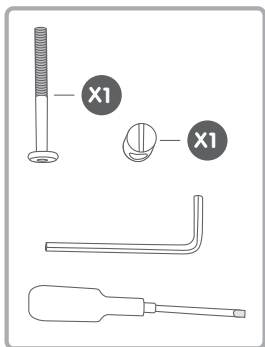
# modd

assembly



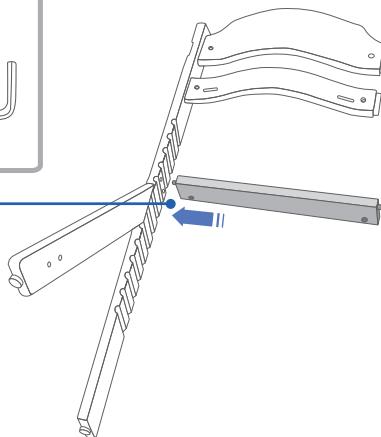
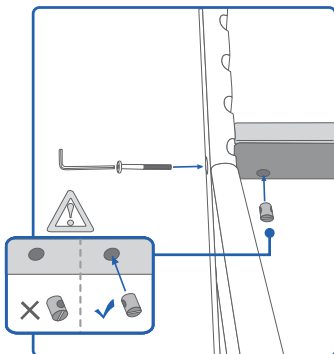
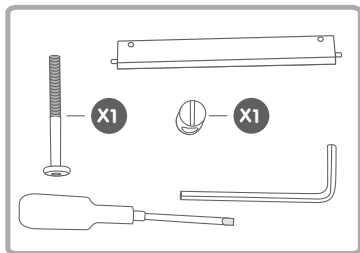
# modd

assembly



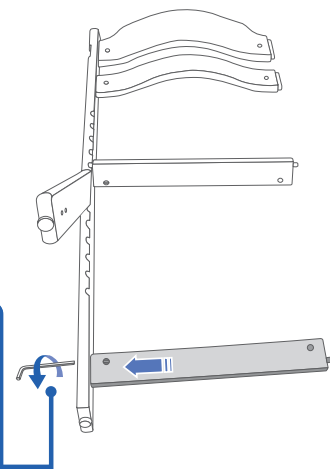
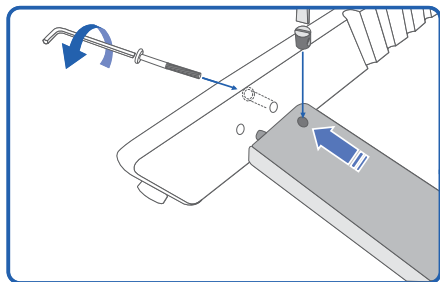
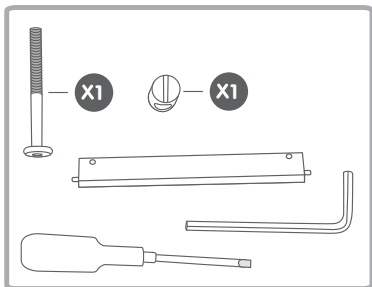
# modd

assembly



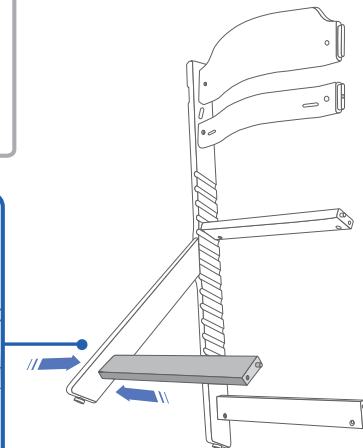
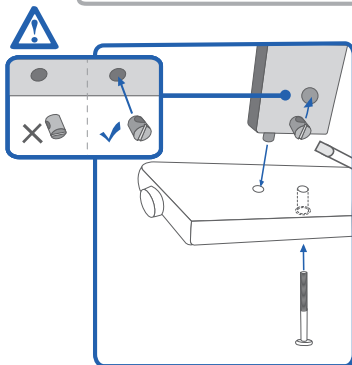
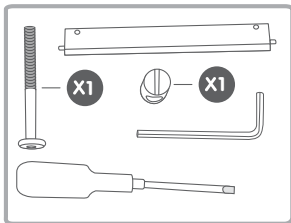
# modd

assembly



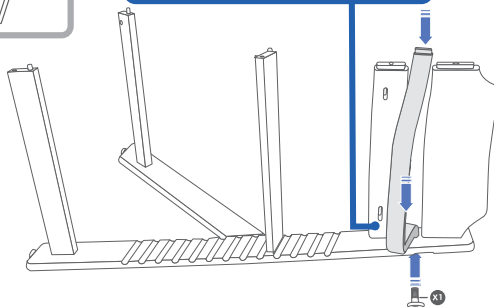
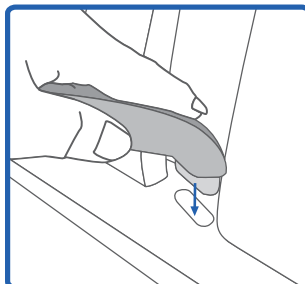
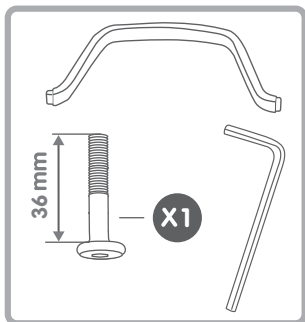
# modd

assembly



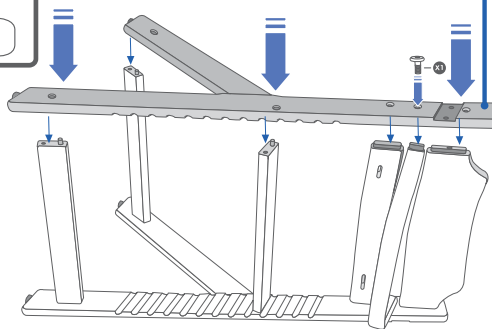
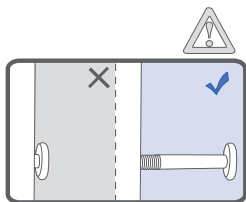
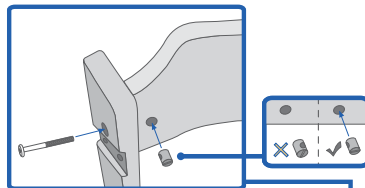
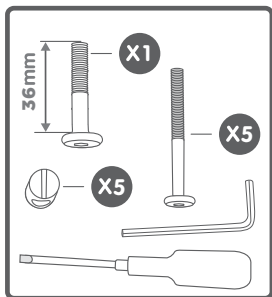
# modd

assembly



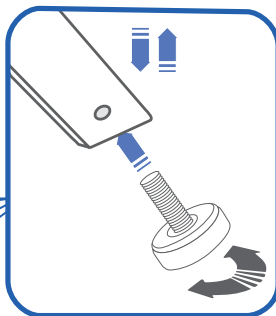
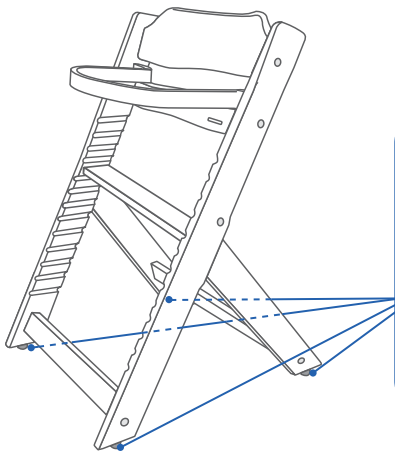
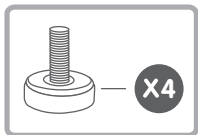
# modd

assembly



# modd

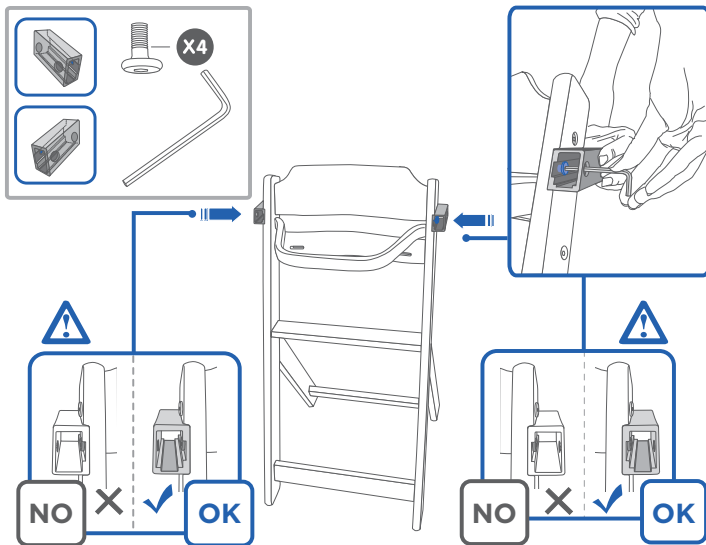
assembly





# modd

assembly

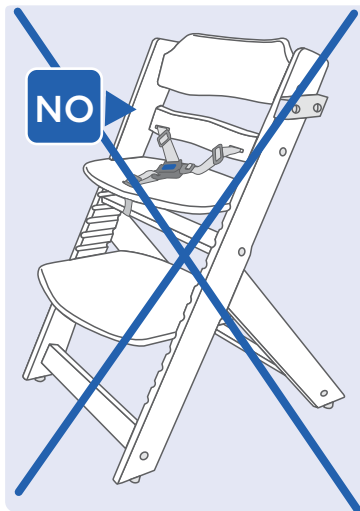


# modd

using

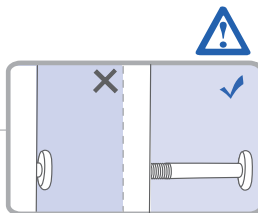
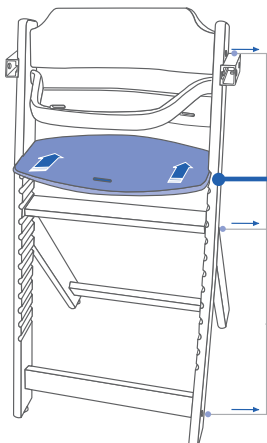
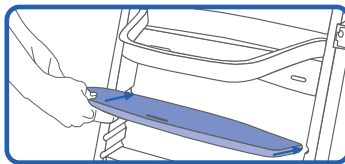
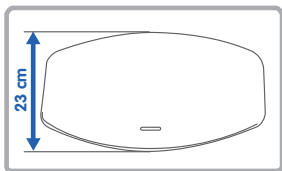


6m+/36m



# modd

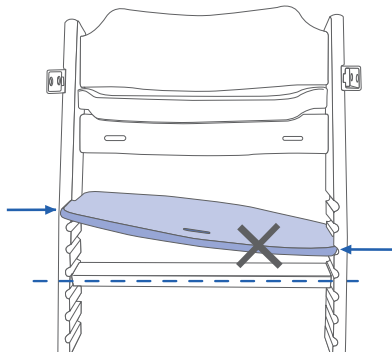
using



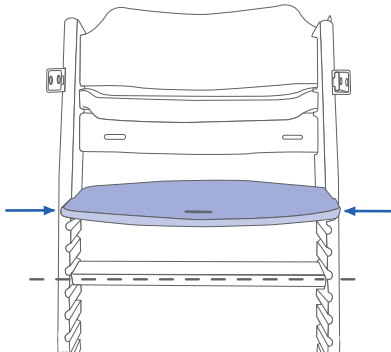
# modd

using

**✗ NO**

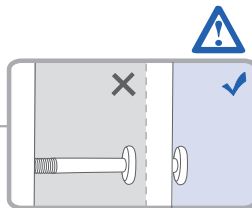
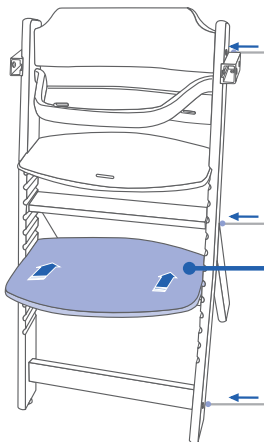
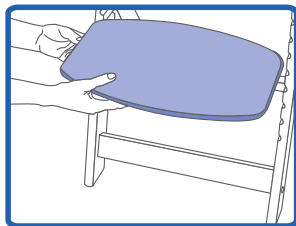
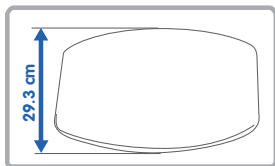


**✓ OK**



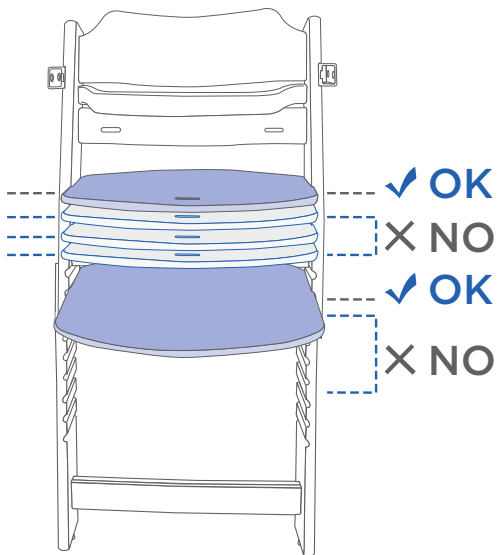
# modd

using



# modd

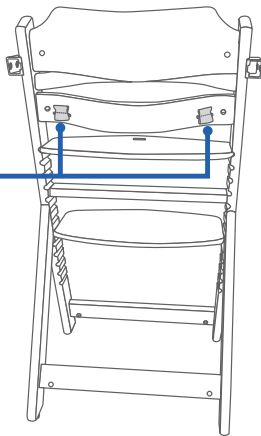
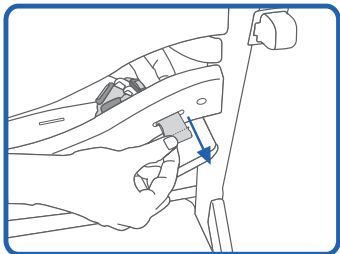
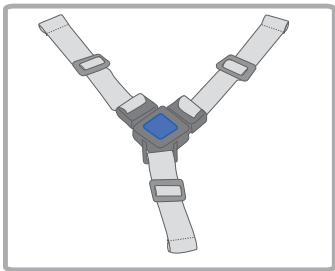
using



36 Months

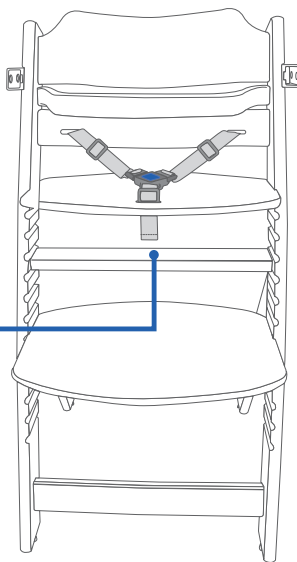
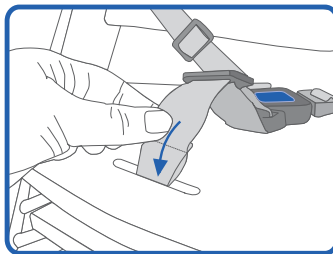
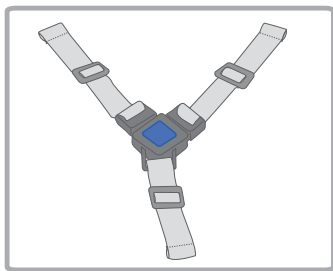
# modd

using



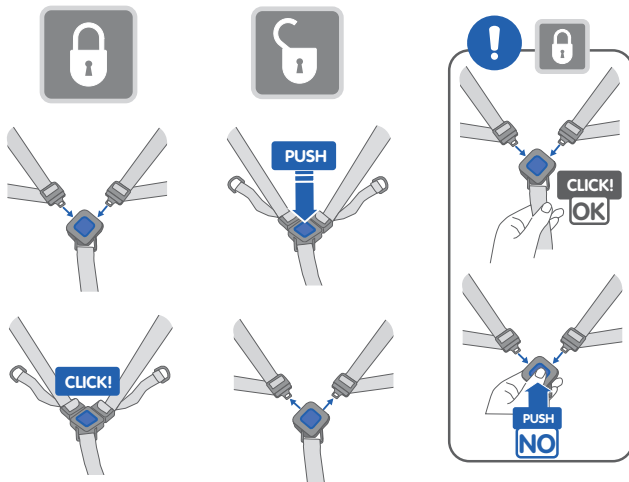
# modd

using



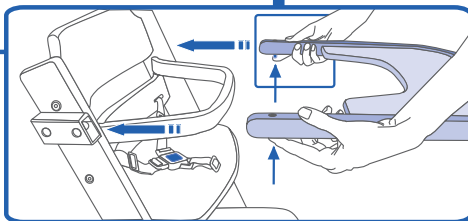
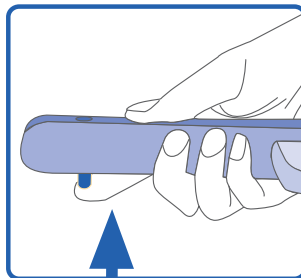
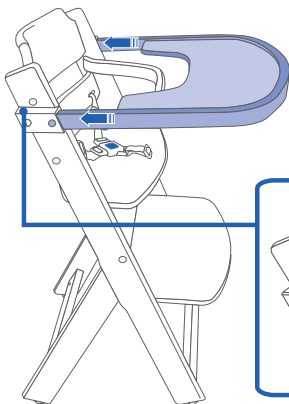
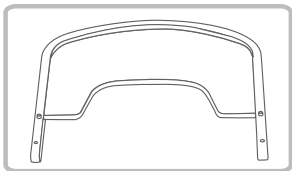


# modd using



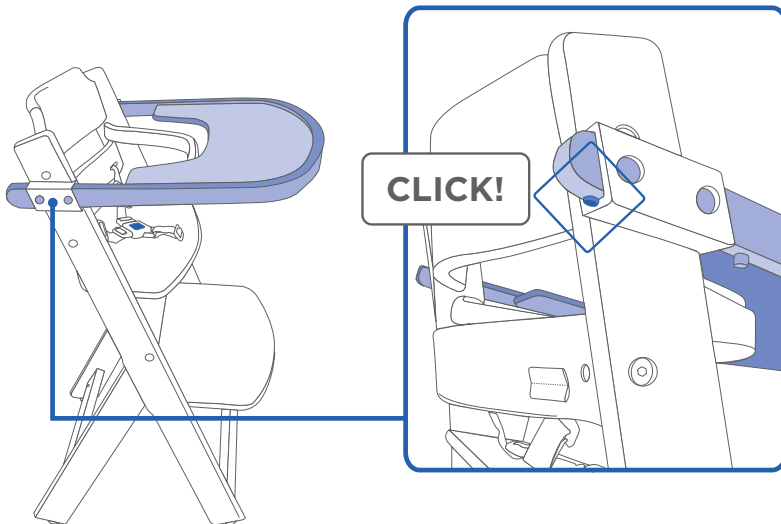
# modd

using



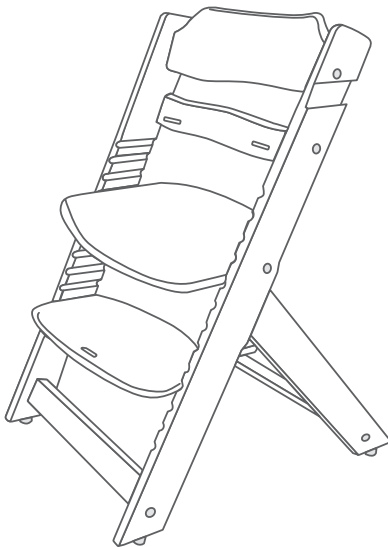
# modd

using



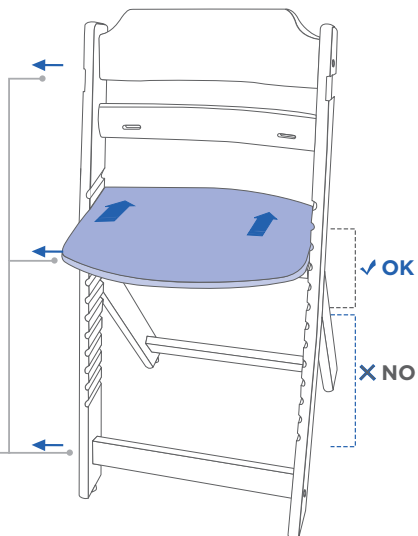
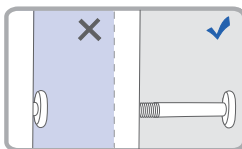
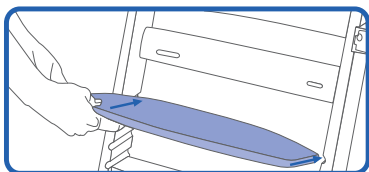
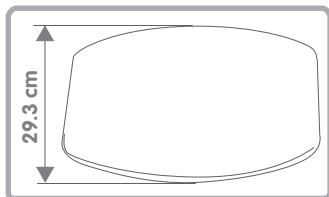
**modd**  
*using*

**3y/10y-30kg**



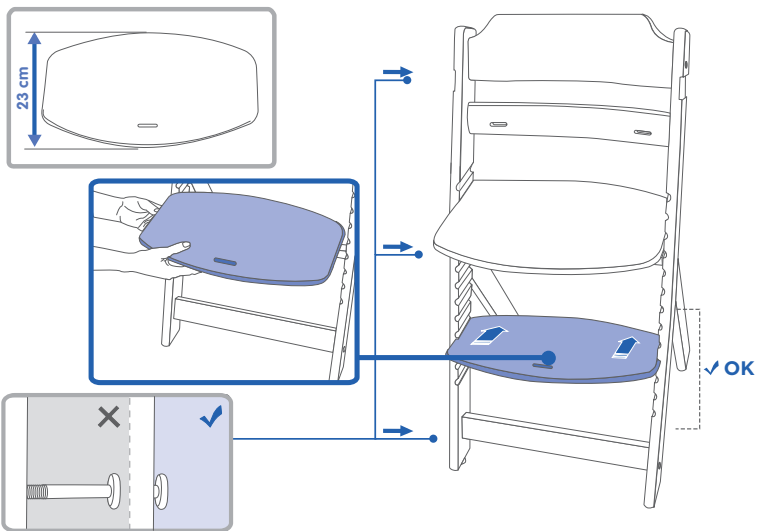
# modd

using



# modd

using



# modd

## *care and maintenance*

- Wash with a sponge and mild soap.
- Remember that all mechanical products need regular maintenance and careful use if they are to provide maximum satisfaction and last a long time.









## *mother's choice tip...*

Visit us online to register your new Mother's Choice product.



follow us on



[motherschoice.com.au](http://motherschoice.com.au)

[www.motherschoice.com.au/product-registration](http://www.motherschoice.com.au/product-registration)

### *benefits of registration*

- Your safety - allows us to contact you with important product notifications.
- Confirmation of ownership - provides a record in case of product loss or theft.
- Improved product development - helps us continue to design products that meet your needs.

*to prevent loss or fading,  
please attach your receipt here:*

*motherschoice.com.au*

DOREL AUSTRALIA PTY LTD  
655-685 Somerville Road  
Sunshine West Victoria 3020  
Email: [customerservice@dorel.com.au](mailto:customerservice@dorel.com.au)  
Phone: 1300 809 526  
Hours: 8:30 am - 5:00 pm Monday to Friday

IGC DOREL NEW ZEALAND LTD  
14 Sir William Avenue  
East Tamaki Auckland 2013  
Email: [customerservice@igc.co.nz](mailto:customerservice@igc.co.nz)  
Phone: 0800 628 000 (toll free)  
Hours: 8:00 am - 5:00 pm Monday to Friday

#017388 - Modd Highchair - 08-16



Specifications are subject to change without notice.  
Copy or reproduction without permission is prohibited.  
© 2016 Dorel Australia Pty Ltd. All Rights Reserved.

[www.dorel.com.au](http://www.dorel.com.au)