

# happy pears

## hi-lo highchair

instruction

MANUAL



follow us on



[motherschoice.com.au](http://motherschoice.com.au)

*the only choice*

# contents

<i>assembling the highchair</i>	<i>pg.</i>
Components list .....	4
Assembling seat .....	5
Height adjustment .....	6
Seat pad .....	7
Snack tray .....	8
Leg assembly .....	9 - 10
<i>using the highchair</i>	
Operating brakes .....	11
Harness system .....	12
Reclining function .....	13
Height adjust .....	14
Folding/ unfolding .....	15
Tray tables .....	16
<i>care and maintenance</i>	
Care and maintenance .....	17
Notes .....	18
Product registration .....	19
<i>contacts</i>	
Customer service .....	20

These instructions detail the safe use, assembly and maintenance of your product. Please read these instructions carefully and ensure that they are followed at all times. Failure to do so could result in serious injury or death.



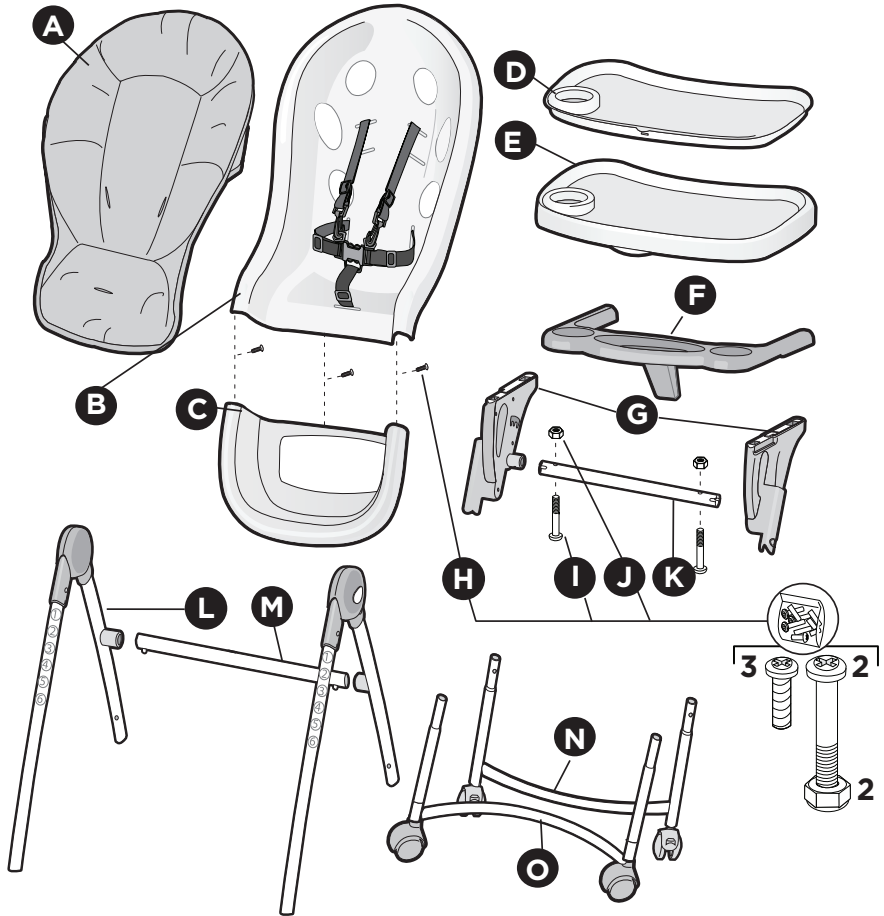
## **WARNING TO AVOID INJURY OR DEATH:**

- **FOLLOW THE MANUFACTURER'S INSTRUCTIONS.**
- **DO NOT LEAVE CHILDREN UNATTENDED.**
- **THE HARNESS MUST ALWAYS BE USED AND CORRECTLY FITTED. MOST INJURIES FROM HIGHCHAIRS ARE CAUSED BY FALLS.**
- **POSITION THE HIGHCHAIR AWAY FROM SOLID STRUCTURES AND BENCHES TO AVOID INJURIES CAUSED BY FALLS AND BY ACCESS TO DANGEROUS ITEMS.**
- The weight of the child using the highchair should not exceed 15kg.
- The child should be secured in the highchair at all times by the restraining system.
- It is recommended that the highchair be used in the upright position only by children capable of sitting upright unassisted.
- Check that the highchair is fully erected and ensure that all locks are engaged before placing a child in it.
- Ensure that the highchair is placed on a flat, even, horizontal and stable surface.
- Never use the highchair with the seat pad removed.
- Do not elevate the highchair on any structure or table.
- To reduce the risk of injury, position the highchair away from furniture, walls, hot surfaces, hot liquids, window coverings, window cords and electrical cords. Position the highchair away from furniture when the chair is not being used at a table with the tray removed.
- Do not raise, lower, fold or move the highchair when a child is in it.
- Make sure children and their fingers are clear of any moving parts.
- Do not allow children to stand on the seat, as the highchair may become unstable.
- To avoid danger of suffocation, keep any plastic bags away from babies and children.
- Regularly inspect the highchair for any part that is loose, broken, torn or missing. Attend to the problem as soon as it is noticed.
- Do not use the highchair if it is not working correctly and immediately seek repair.
- Use only those accessories which are supplied by Dorel Australia and approved for use with this highchair.
- This product is not intended for commercial use.

# happy pears

## hi-lo highchair

### components list



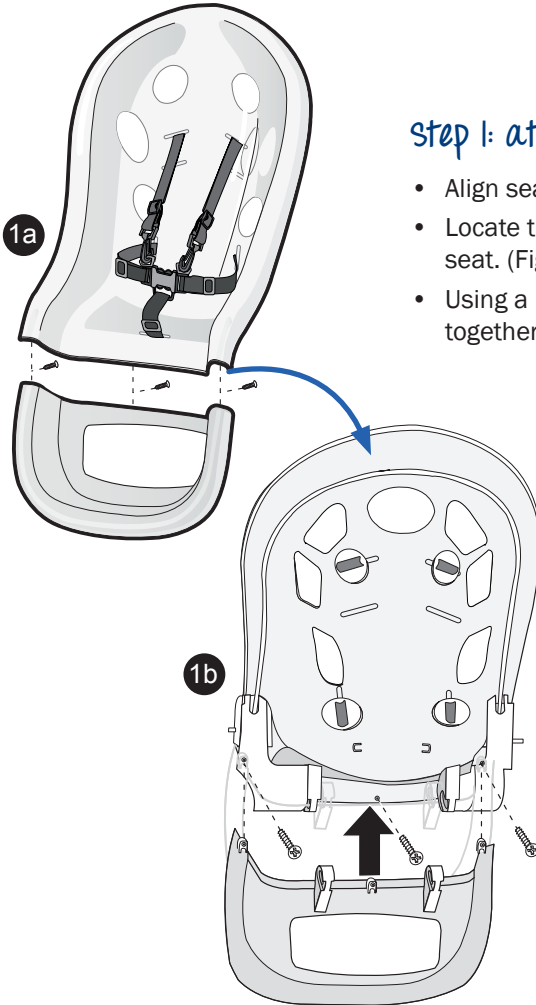
- |                                    |                                            |                                              |
|------------------------------------|--------------------------------------------|----------------------------------------------|
| <b>A</b> Seat pad                  | <b>F</b> Snack tray                        | <b>K</b> Seat crossbar                       |
| <b>B</b> Upper seat (with harness) | <b>G</b> Height adjusters (left and right) | <b>L</b> Upper leg assembly (left and right) |
| <b>C</b> Footrest                  | <b>H</b> Phillips head screws* (3)         | <b>M</b> Upper leg crossbar                  |
| <b>D</b> Tray insert               | <b>I</b> Bolts (2)                         | <b>N</b> Rear lower leg assembly             |
| <b>E</b> Tray                      | <b>J</b> Nuts* (2)                         | <b>O</b> Front lower leg assembly            |

\*Requires Phillips head screwdriver and adjustable spanner (not supplied)

# happy pears

## hi-lo highchair

### assembling seat



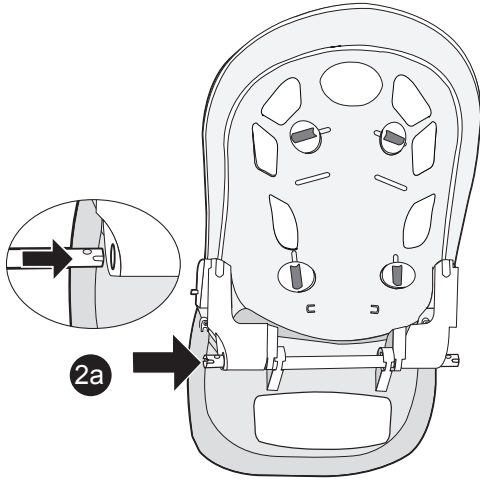
### step 1: attach footrest

- Align seat footrest to upper seat (Figure 1a).
- Locate three screw holes at the back of the seat. (Figure 1b)
- Using a Phillips head screwdriver, secure seat together with three screws.

# happy pears

## hi-lo highchair

### height adjust

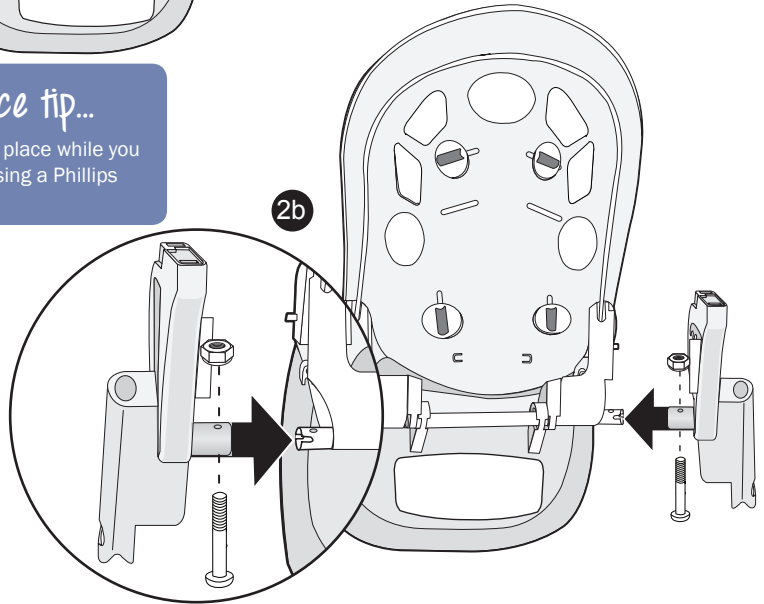


### step 2: attach height adjusters

- Slide crossbar into seat pivots at back of seat (Figure 2a).
- Slide left and right height adjusters onto crossbar (Figure 2b).
- Insert bolts through holes and fasten nuts until tight. **DO NOT OVERTIGHTEN.**

#### *mother's choice tip...*

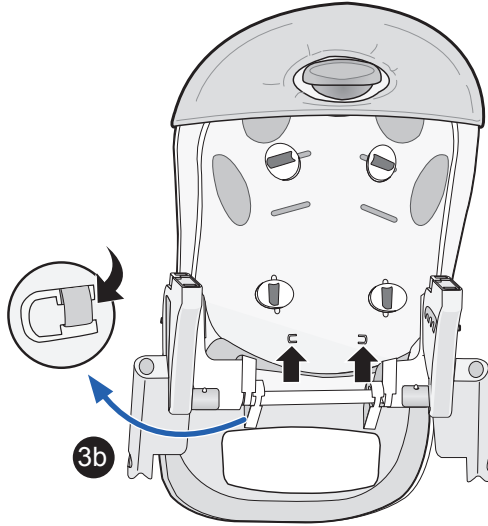
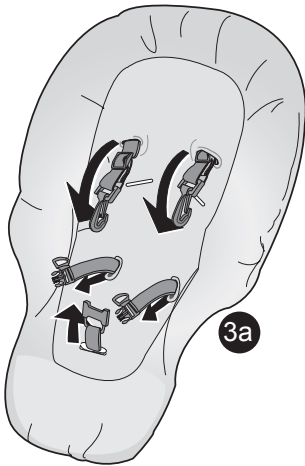
Use pliers to hold nut in place while you hand-tighten the bolt using a Phillips head screwdriver.



# happy pears

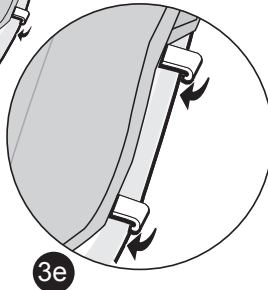
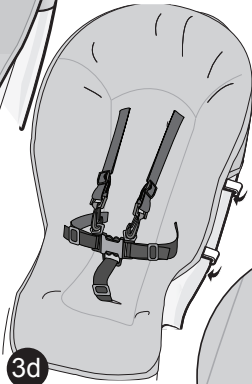
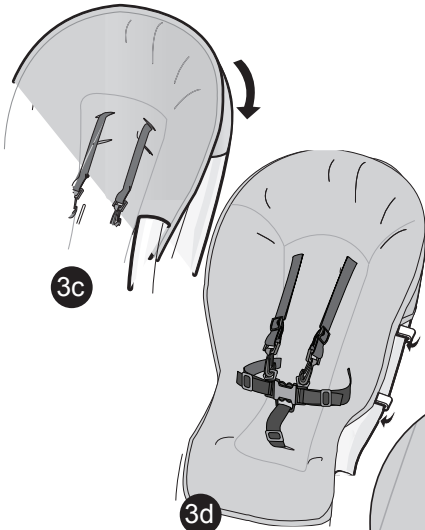
## hi-lo highchair

### seat pad



### step 3: attach seat pad

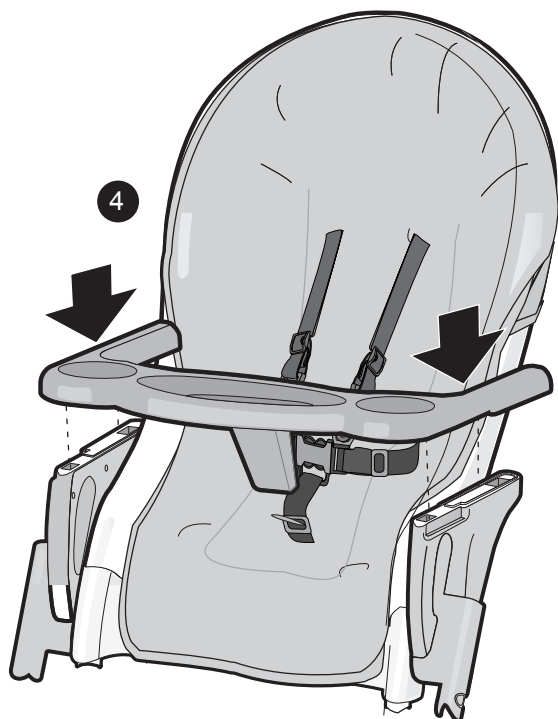
- Place seat pad on upper seat.
- Feed five harness straps through slots (Figure 3a).
- Locate two tabs at centre of upper seat (Figure 3b), and hook seat pad onto tabs.
- Pull back of seat pad over top of seat (Figure 3c).
- Secure five plastic clips to the edge of seat, two on each side and one to the bottom edge of seat (Figures 3d & 3e).



# happy pears

## hi-lo highchair

### snack tray



### Step 4: attach snack tray

- Press snack tray onto left and right height adjusters until it snaps into place (Figure 4).
- Pull up on tray to ensure it is assembled securely.



## **WARNING**

DO NOT use highchair without the snack tray installed.



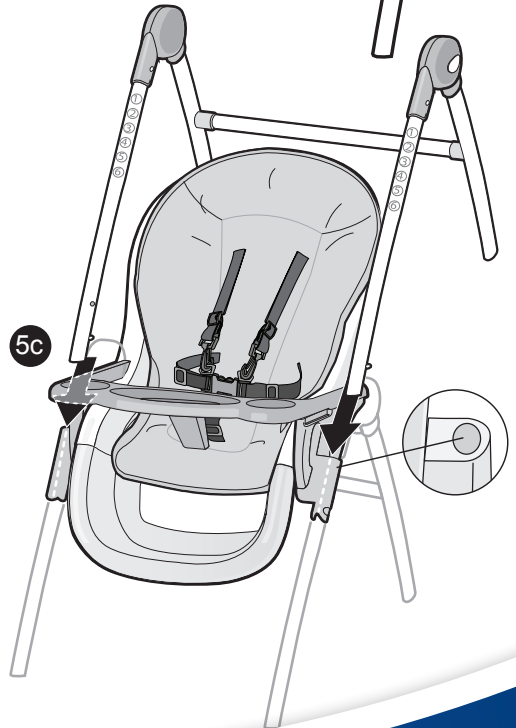
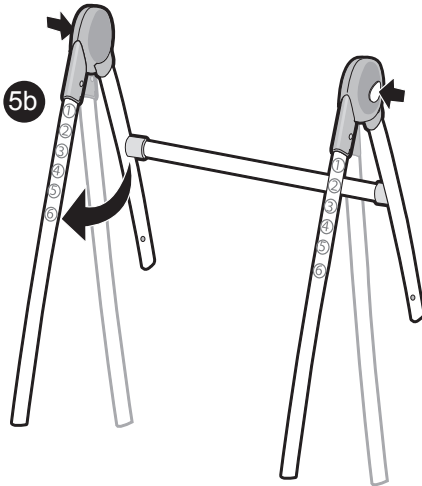
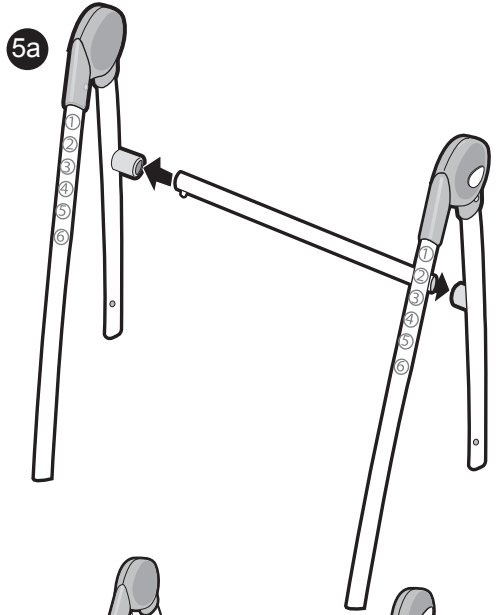
# happy pears

## hi-lo highchair

### leg assembly

#### step 5: attach upper legs

- Position upper leg crossbar with pins facing down (Figure 5a).
- Slide leg crossbar into each upper leg until pins lock. Pull on each leg to ensure leg crossbar is assembled securely.
- Unfold upper legs by pressing in both fold buttons and pulling legs open (Figure 5b).
- Open upper legs out until frame clicks and locks in open position. Make sure the crossbar is positioned to the rear, (as per Figure 5b).
- Slide front legs into left and right height adjusters (Figure 5c), then slide seat assembly up the front legs until it locks into place.



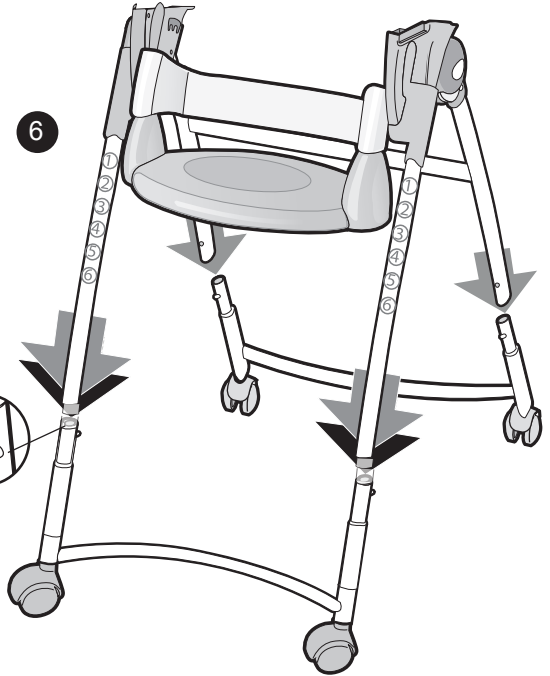
# happy pears

## hi-lo highchair

### leg assembly

#### step 6: attach lower legs

- Evenly slide both legs of the upper assembly over the front lower legs (Figure 6).
- Do not click into place until both legs have been partially inserted.
- Push lower legs until they click into place.
- Confirm that the pins emerge completely through the holes, then repeat for the rear lower leg assembly.



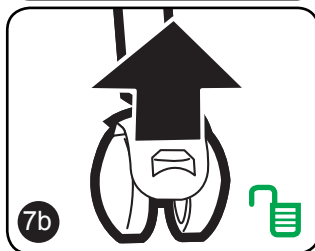
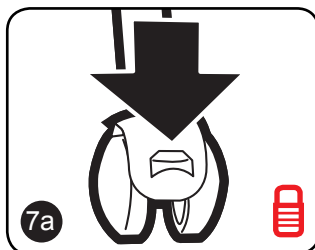
#### mother's choice tip...

Make sure the larger wheels are attached to the front legs and the smaller wheels to the rear legs.

# happy pears

## hi-lo highchair

### brakes



### to operate brakes

- Press red wheel locks down to lock the highchair in place (Figure 7a).
- Lift red wheel locks up to unlock the highchair (Figure 7b).

 **WARNING**  
Always apply the brakes when the highchair is in use.

# happy pears

## hi-lo highchair

### harness system

#### operating harness system

- Place child in the seat, with the crotch strap between the child's legs, and fasten both buckles (Figure 8a).
- Clip shoulder straps to waist belt. To adjust strap length move each strap slider (5 places, Figure 8b) to the required length to tighten snugly such that you can comfortably slide your finger between the strap and your child.

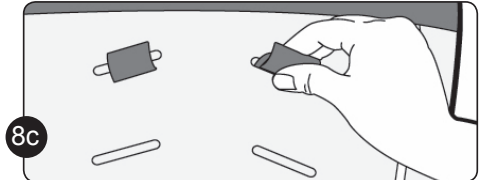
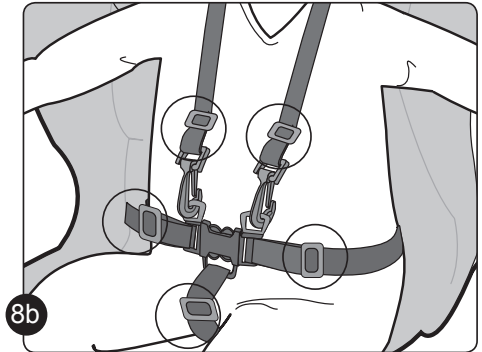
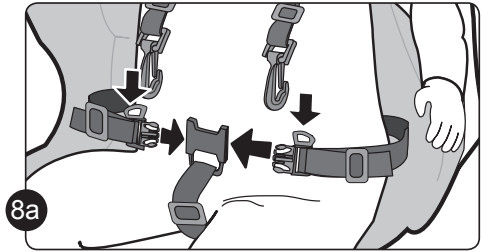
#### *mother's choice tip...*

To adjust shoulder strap height, fold T-shaped strap ends and push through desired slots (Figure 8c).



## **WARNING**

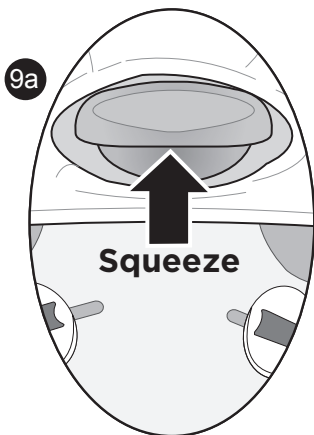
Always secure child in the harness.



# happy pears

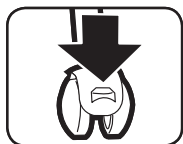
## hi-lo highchair

### reclining function



### adjusting recline

- Grasp handle at back of seat (Figure 9a).
- Squeeze handle to adjust reclining angle into any of 3 positions. (Figure 9b).



#### *mother's choice tip...*

Make sure to lock wheels to keep highchair from moving.



## **WARNING**

**DO NOT** adjust recline when child is in seat.

# happy pears

## hi-lo highchair

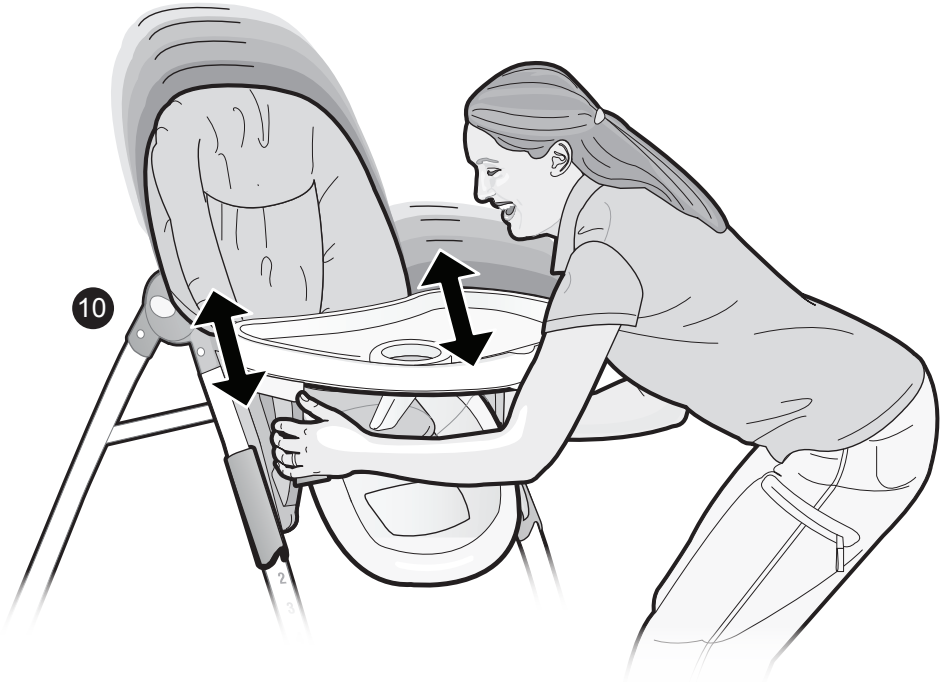
### height adjustment

#### adjusting height

- Place your foot on the lower leg cross bar to prevent highchair moving.
- Grasp both height adjustment handles on sides underneath the tray, and lift up while squeezing handles (Figure 10).
- Adjust height to any of six positions.

 **WARNING**

DO NOT adjust height when child is in seat.



# happy pears

## hi-lo highchair

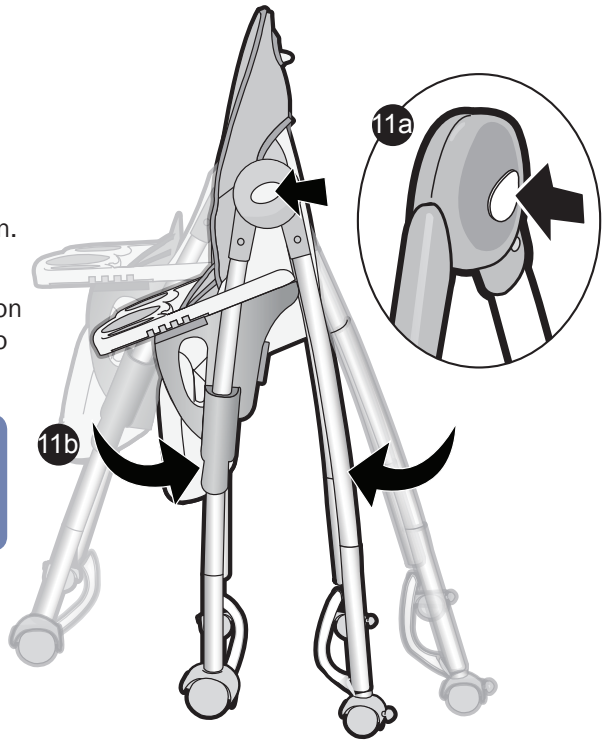
### folding

#### storage folding

- Lower seat to the lowest position.
- Stand behind highchair.
- Press in both fold buttons (one on each side, Figure 11a) and lift to fold legs together (Figure 11b).

#### *mother's choice tip...*

To unfold, press in on both fold buttons and pull legs apart.



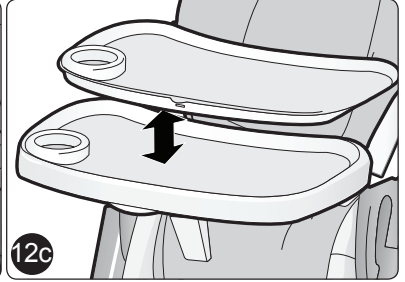
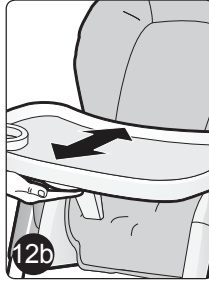
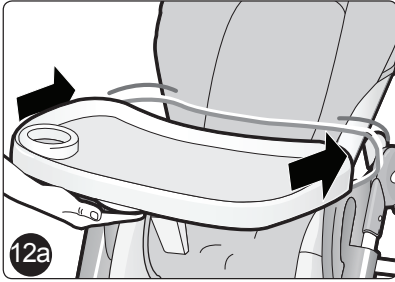
# happy pears

## hi-lo highchair

### trays

#### attaching trays

- Squeeze front handle and slide tray onto sides of snack tray (Figure 12a).
- Adjust tray: Squeeze front handle and slide tray forward or backward (Figure 12b).
- Remove tray: Squeeze front handle and pull toward you.
- Remove insert tray: Lift up using the lift tab on front lip.
- Use insert tray: Align on main tray, inserting the rear first then press down at front (Figure 12c).





# happy pears

## hi-lo highchair

### *care and maintenance*

#### highchair and trays

- Wipe with soft, damp cloth and warm, soapy water and allow to dry

#### insert trays

- Dishwasher safe - top rack only

#### seat pad

- Wipe with soft, damp cloth and warm, soapy water and allow to dry
- DO NOT BLEACH
- Do not place in dryer

#### harness

- Harness and crotch straps should be surface washed and air dried only
- Do not place in washing machine or dryer



## mother's choice tip...

Visit us online to register your new Mother's Choice product.



follow us on    
[motherschoice.com.au](http://motherschoice.com.au)

[www.motherschoice.com.au/product-registration](http://www.motherschoice.com.au/product-registration)

## benefits of registration

- Your safety - allows us to contact you with important product notifications.
- Confirmation of ownership - provides a record in case of product loss or theft.
- Improved product development - helps us continue to design products that meet your needs.

*to prevent loss or fading,  
please attach your receipt here:*

motherschoice.com.au

DOREL AUSTRALIA PTY LTD  
655-685 Somerville Road  
Sunshine West Victoria 3020  
Email: [customerservice@dorel.com.au](mailto:customerservice@dorel.com.au)  
Phone: 1300 809 526  
Hours: 8:30 am - 5:00 pm Monday to Friday

IGC DOREL NEW ZEALAND LTD  
14 Sir William Avenue  
East Tamaki Auckland 2013  
Email: [customerservice@igc.co.nz](mailto:customerservice@igc.co.nz)  
Phone: 0800 628 000 (toll free)  
Hours: 8:00 am - 5:00 pm Monday to Friday

015430 - Happy Pears Hi-Lo Highchair - 11 - 14



Specifications are subject to change without notice.  
Copy or reproduction without permission is prohibited.  
© 2013 Dorel Australia Pty Ltd. All Rights Reserved.

[www.dorel.com.au](http://www.dorel.com.au)