

living & co.

ESPRESSO COFFEE MACHINE



INSTRUCTION MANUAL

MODEL: CM8501FE-GS

Contents

Important Safety Instructions	1-2
Product Overview	3
Inserting the Filter / Portafilter / Before the First Use	4
Preheating / Making Espresso Coffee	5
Making Cappuccino / Frothed Milk	6
Automatic Off function / Cleaning and Maintenance	7
Removing Mineral Deposits	8
Hints For Great-Tasting Coffee / Disposal / Reset	9
Troubleshooting	10
Warranty	11

IMPORTANT SAFETY INSTRUCTIONS

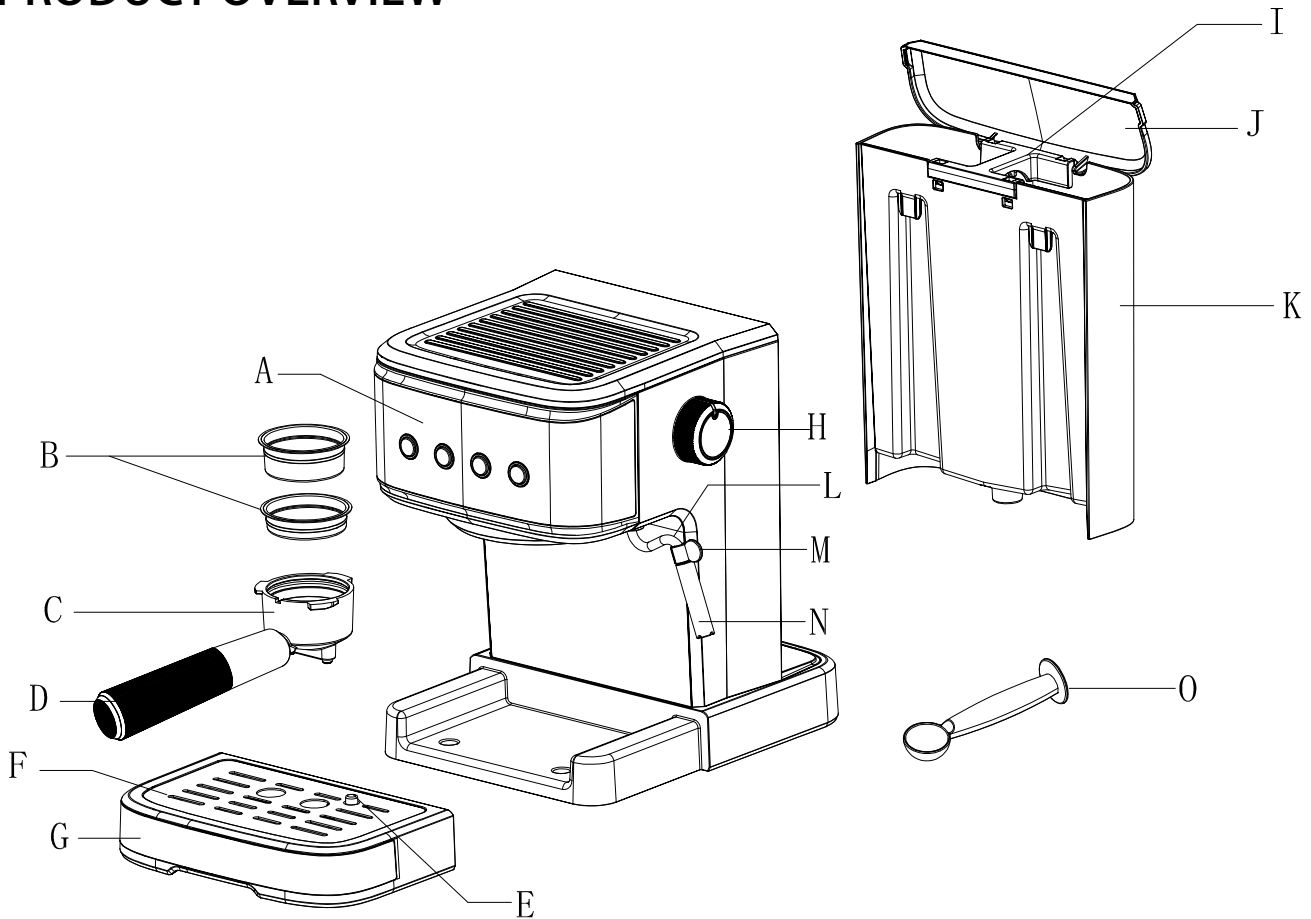
When using electrical appliance. Basic safety precautions should always be followed including the following:

- Read all instructions before use. Retain this guide for future reference.
- This appliance is not intended for use by persons (including children) with reduced physical, sensory or mental capabilities, or lack of experience and knowledge, unless they have been given supervision or instruction concerning use of the appliance by a person responsible for their safety.
- Children should be supervised to ensure that they do not play with the appliance.
- If the supply cord is damaged, it must be replaced by the manufacturer, its service agent or similarly qualified persons in order to avoid a hazard.
- When the appliance is not in use and before cleaning, unplug from the outlet.
- To protect against fire, electric shock and injury to persons do not immerse main parts of the product, cord, plug, in water or other liquid.
- The appliance must not be immersed in liquid.
- Remove plug from wall outlet before cleaning and when not in use. Allow appliance to cool down completely before removing/attaching components, or before cleaning.
- The use of accessory attachments not included with the appliance may result in fire, electric shock or injury to persons.
- Place the appliance on a flat surface or table. Do not allow power cords to hang over the edge of table or counter.
- Ensure that the power cord does not touch any hot surface of the appliance.
- Do not place the coffee maker on any hot surface or near heat sources to avoid damage to the appliance.
- To disconnect, remove the plug from the wall outlet. Always hold the plug and never pull the cord.
- Do not use the appliance for any purpose other than intended use. Place the unit in a dry environment.

IMPORTANT SAFETY INSTRUCTIONS CONTINUED

- Do not touch the hot surfaces of the appliance. Be careful not to get burned by the steam emitted from the appliance or the hot liquids.
- Connect the plug to a wall outlet before use, and turn any switches off before the plug is removed from wall outlet.
- This appliance is intended to be used in household and similar applications such as:
 - staff kitchen areas in shops, offices and other working environments.
 - farm houses.
 - by clients in hotels, motels and other residential type environments.
 - bed and breakfast type environments.
- Do not use the appliance outdoors.
- **WARNING:** The filling aperture must not be opened during use.
- Warning: Potential injury from misuse. Many parts are hot after use due to residual heat.
- Cleaning and user maintenance shall not be made by children without supervision.
- Scalding may occur if the top cover is opened during the brewing cycles. Be careful not to get burned by the steam.
- Do not attempt to operate the coffee maker without water.
- To reduce the risk of fire or electrical shock, do not remove the cover. No user serviceable parts inside. Repair should be done by authorized service personnel only.
- Save these instructions for future reference.

PRODUCT OVERVIEW



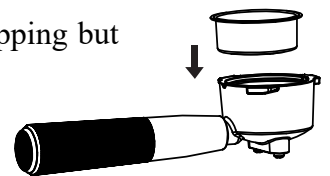
- A. Control panel (Power button 1-cup coffee button 2-cup coffee button Steam button)
 B. Filter (1 cup or 2 cup) C. Portafilter body D. Portafilter handle
 E. Drip tray full indicator F. Removable drip tray G. Drip tray body H. Steam control knob
 I. Water tank handle J. Water tank lid K. Water tank L. Steam wand
 M. Steam conduit handle N. Steam outlet /Removable tube O. Measuring spoon / Tamper

CAUTION: It is recommended to use filtered or distilled water, avoid using Hard water.

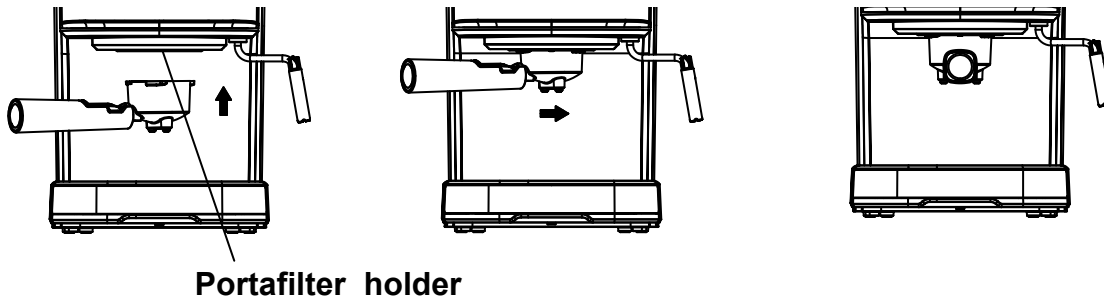
NOTE: Hard water comes from groundwater sources and can contain high levels of calcium and magnesium salts. When such water is heated in your coffee maker, calcium and magnesium break down and precipitate to form solid limescale. This will not only affect the taste of your coffee but will also lead to reduced performance and possible premature product failure. If Hard Water is used, please refer to the cleaning instructions (and removal of mineral deposits) within this manual.

INSERTING THE FILTER INTO THE PORTAFILTER

1. To insert the selected filter (one cup or two cup) into the Portafilter body, make sure to align the notch on the filter with the groove inside the Portafilter:
2. Use an outwards pull force to gently remove the filter for cleaning / swapping but make sure the assembly has sufficiently cooled before handling.





INSERTING THE PORTAFILTER INTO THE HOLDER



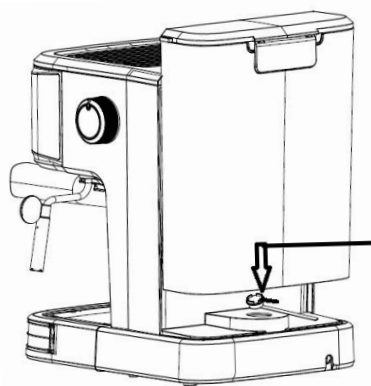
BEFORE THE FIRST USE

REMOVE THE FACTORY SEALING BUNG FROM THE WATER INLET AT THE BASE. TO ACCESS, REMOVE THE WATER TANK. BY LIFTING UPWARDS. PULL THE SEALING BUNG OUT AND DISCARD.

To ensure the first cup of coffee tastes good, you should flush the coffee maker with warm water as follows:

1. Open water tank cover, fill the water tank with water to the “MAX” level mark and close the lid.
Note: the appliance is supplied with a detachable water tank for easy cleaning, you can fill water tank with water first, and then attach the water tank to the appliance if easier.
2. Choose your filter (one of two cup options) and insert into the Portafilter body, do NOT add coffee. Align the Portafilter body with the recess on the appliance, then insert the into the appliance from the “” position by applying an upward force. Firmly lock by turning it anticlockwise until it is at the “” position.
3. Place an espresso cup or small jug onto the drip tray immediately below the Portafilter outlet.
4. Make sure the steam control knob is in the OFF position.
5. Connect the power plug to the mains supply, press the power button, power indicator is illuminated, the light will pulse on/off while unit heats up. Check that the indicators of 1- cup coffee button, 2-cup coffee button, and steam button are off. After preheating, the power indicator light will remain active.
6. Press the coffee button (1 or 2 cup), the unit will pump water through the portafilter and into the cup / jug. Apply several cycles, then discard the hot water. Rinse the cup / jug, now the appliance is ready for making coffee.

Note: There may be noise when pumping water for the first time, it is normal that the appliance is releasing the air inside. After about 20s, the noise will reduce.



BEFORE FIRST USE:
REMOVE FACTORY
SEALING BUNG

PREHEATING

It is recommended to preheat the appliance before making coffee, including the portafilter and espresso cup, so that the coffee flavor will not be influenced by the cold surfaces.

1. Pour clean (ideally filtered or distilled) water into the tank, ensuring that the water level does not exceed the “MAX” mark and is no less than the “MIN” mark on the side of the tank.
2. Insert the filter into the Portafilter (see previous section), then position the portafilter under the holder and turn it anticlockwise until it is fixed tightly.
3. Place an espresso cup or small jug onto the drip tray immediately below the Portafilter outlet.
4. Make sure the steam control knob is in the OFF position (“●”).
5. Connect the power plug to the mains supply, press the power button, power indicator is illuminated, the light will pulse on/off while unit heats up. Check that the indicators of 1-cup coffee button, 2-cup coffee button, and steam button are off. After preheating, the power indicator light will remain active.
6. Press the coffee button (1 or 2 cup), the unit will pump water through the portafilter and into the cup / jug, allow to flow for several seconds only. The purpose of the step is to pump the water from the tank into the housing heating chamber.

MAKING ESPRESSO COFFEE

1. Connect the supply plug to a wall socket.
2. Check that the water tank has sufficient water added and that the steam dial is turned fully clockwise to the off position “●”.
3. Insert the desired filter (single or double cup) into the Portafilter (see previous section).
4. Add ground coffee to the filter with the measuring spoon (one level spoon should suffice for one cup of coffee). Press the coffee powder down tightly with the tamper (flat end of spoon).
5. Position the portafilter under the holder and turn it anticlockwise until it is fixed tightly.
6. Place an espresso cup under the portafilter and position on top of the drip tray.
7. Press the ON/OFF button to turn the appliance on. The power indicator (blue) will be illuminated and will pulse on/off while preheating. Make sure the steam on/off button is off (indicator not illuminated) and that the steam pressure dial is turned fully clockwise (to “●”).
8. Press the one or two cup coffee button, wait for a moment and coffee will begin flowing out. After the set volume has discharged, flow will stop. (See NOTE).
9. After finishing making coffee, press the On/Off button to switch the unit off.
10. Remove the Portafilter by turning clockwise and tip out the coffee residue.
11. Rinse under running water and let the components cool down before handling.

WARNING: Do not leave the coffee maker unattended while in use.

NOTE: If you want to customize the volume of coffee discharged, press and hold the 1-cup button for 3 seconds. The button indicator will flash, entering set mode, press the 1-cup button again to start dispensing coffee and when the required volume / time is reached, press the 1 cup button again to complete setting which will be memorized by the unit. Working duration for 1-cup coffee can be set up to 45s, if working duration for 1-cup coffee is set, working duration for 2-cup coffee will be automatically updated to 2 times of that for 1-cup coffee ; Working duration for 2-cup coffee can be set up to 90s, if working duration for 2cup coffee is set, working duration for 1-cup coffee will be automatically updated to half of that for 2-cup coffee. Refer Factory reset instruction on Page 9 to restore to factory settings.

MAKING CAPPUCCINO / FROTHED MILK

You can make a cup of cappuccino by topping a cup of espresso with frothing milk. Note: During steaming, the portafilter must be assembled in position.

Method:

1. Prepare espresso first as per the earlier instructions, make sure that the steam dial is at the "●" position.
2. Press the steam on/off button, waiting until the steam indicator illuminates fully (will pulse on / off when preheating). This process will take around 1 minute.
3. Fill a small jug with about 100ml of milk for each cappuccino to be prepared. It is recommended to use whole milk at a refrigerated temperature (not hot).
Note: In choosing the jug size, it is recommended the diameter is not less than 70 ± 5 mm, and bear in mind that the milk increases in volume by 2 times, make sure the height of jug is sufficient.
4. To achieve ideal milk foam consistency, it is recommended to keep the steam dial in the open position for approximately 15 seconds, since the initial steam contains too much water, then keep the dial at the "●" position and conduct next step.
5. Insert the steam wand into the milk (approx. two centimeters deep), then turn the steam dial slowly anticlockwise. Steam will come out from the steam wand. Frothed milk is produced by moving the vessel around and from up to down.
6. **CAUTION:** To avoid burns, never directly touch the steam outlet during operation and take care to avoid placing hand or fingers near the outlet when discharging steam.
7. **Note:** Never turn the steam dial quickly, as the steam will accumulate rapidly in short time which may increase the potential of the risk of steam bursts.
8. When the required amount of frothing is reached. If the jug is "hot" to touch, do not continue to avoid overheating, turn the steam dial to the "●" position. Then press the steam on/off button to switch off.
9. To avoid the steam outlet being blocked after frothing milk each time, put an empty jug under the steam wand, then turn on the steam dial and press the steam on/off control button. The pump will begin operating. Once the water has been flowing for 30 seconds, press the steam control on/off button to switch off.
10. Let the components cool down completely, then rinse under running water. Ensure the steam wand / nozzle is thoroughly cleaned after each use. Remove the steam wand cover (tube) and rinse, while cleaning the internal nozzle with a wet towel.
11. Press and release the ON/OFF button to power the unit off.
12. Pour the frothed milk into the espresso that was previously prepared. Sweeten if desired by sprinkling the froth with a little cocoa powder.

Note 1: Please follow the instructions below if the steam outlet is blocked: turn the steam dial to "●" position and let the coffee maker cool down for about half an hour. Poke the steam outlet several times with a tube or needle around 1mm in diameter. Finally, press the steam button and rotate the steam dial to check if the appliance can produce steam normally when the steam indicator illuminates.

Note 2: After steaming, allow the coffee maker to cool down for at least 5 minutes before making coffee again, otherwise a burnt odor may be noticeable in the prepared coffee.

AUTOMATIC POWER OFF FUNCTION

If there is no operation within 25 minutes, the unit will power off automatically.

CLEANING AND MAINTENANCE

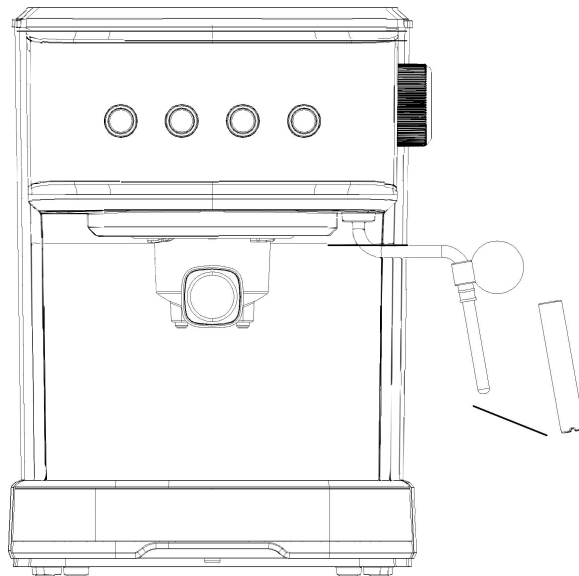
CAUTION: Be sure to unplug this appliance before cleaning. To protect against electrical shock, do not immerse cord, plug or unit in water or liquid. After each use, always make sure plug is first removed from wall outlet.

Note: Do not clean the appliance with alcohol or solvents. Never immerse the housing in liquid for cleaning.

1. Wipe the exterior surface of unit with a soft, damp cloth to remove stains.
2. Remove the portafilter, detach the filter from the holder. Detach the removable tube from the steam outlet (gently pull outwards to detach from inner shaft).

See image below.

3. Clean all detachable parts after each use in hot soapy water and rinse in clean water.
4. Use a damp cloth to gently wipe the warming plate. Never use abrasive cleaner.
5. Replace all parts and keep for next use. **Note:** To maintain optimum operating performance, clean the appliance after every use.



REMOVING MINERAL DEPOSITS

To ensure your coffee maker operates efficiently, the internal piping should be cleaned every month to ensure optimal performance and coffee flavor.

CAUTION: We recommend using filtered or distilled water in your coffee maker. If possible, avoid the use of Hard water. Hard water comes from groundwater sources and can contain high levels of calcium and magnesium salts. When such water is heated in your coffee maker, calcium and magnesium break down and precipitate to form solid limescale. This will not only affect the taste of your coffee but can also lead to reduced performance and premature failure of the product. To ensure internal piping is clean, please follow the following process regularly.

1. Fill the tank with water and descaler to the max level as indicated on water gauge (the scale of water and descaler is 4:1, the detail refers to the instruction of descaler. Please use “household descaler”, you may also use the citric acid instead of the descaler (the one hundred parts of water and three parts of citric acid).
2. Follow the normal operating process for preheating.
3. Press the 2-cup button and allow liquid to flow. Repeat several times.
4. Press the steam button, allow to heat up and then use the steam control dial to discharge around 100ml into a jug.
5. Turn the steam control dial to off position, switch off the on/off control button.
6. Leave the solution in the internal piping for around 15 minutes.
7. Switch the appliance back on and then repeat steps 3-5 to fully drain off the solution until the water tank is completely empty.
8. Rinse by operating the appliance with clean water at least 3 times repeating the above steps.

HINTS FOR GREAT-TASTING COFFEE

1. A clean coffee maker is essential for making great-tasting coffee. Regularly clean the coffee maker as specified in the “CLEANING AND MAINTENANCE” section.
Always use fresh, cold water in the coffee maker.
2. Store unused coffee powder in a cool, dry place. After opening a package of coffee powder, reseal it tightly and store it in a refrigerator to maintain its freshness.
3. For an optimum coffee taste, buy whole coffee beans and finely grind them just before brewing.
4. Do not reuse coffee powder since this will greatly reduce the coffee’ flavor. Reheating coffee is not recommended as coffee is at its peak flavor immediately after brewing.
5. Clean the coffee maker when over-extraction causes oiliness. Small oil droplets on the surface of brewed, black coffee are due to the extraction of oil from the coffee powder.
6. Oiliness may occur more frequently if heavily roasted coffees are used.

ENVIRONMENTALLY FRIENDLY DISPOSAL

You can help protect the environment!

Please remember to respect the local regulations: hand in the non-working electrical equipment to an appropriate waste disposal center. Check with your local council for guidance.

FACTORY RESET

1. After finish preheating, hold and press double cup coffee switch and steam switch for 3 seconds at the same time, and their corresponding indicators will blink for 3 times, then the factory reset is finished.
2. Press the Power switch to cut the power source off. All indicators will be switch off. Press the Power switch again, the power source on, factory reset is finished.

TROUBLESHOOTING

Symptom	Cause	Corrections
The coffee maker will not power on.	The power outlet is not switched on or is faulty.	Ensure the plug of the power cord is correctly fitted to the socket outlet, if the appliance still does not work, try a different socket outlet and use an alternative appliance (for example a desk lamp) to check it is functional.
Water leaks from the bottom of coffee maker.	There is excessive water in the drip tray.	Please clean the drip tray.
Water leaks from the outer side of the filter.	There is some coffee powder on the filter edge.	Ensure the filter is clean before use.
Acidic (vinegar) taste noted in the coffee.	Appliance not cleaned correctly and may contain mineral deposits.	Clean coffee maker following the "Cleaning Mineral Deposits" section to remove internal limescale.
	The coffee powder is stored in a hot, wet environment for a long time. The coffee powder has expired.	Please use fresh coffee powder and store unused coffee powder in a cool, dry place. After opening a packet of coffee powder, reseal it tightly and store in a refrigerator to maintain freshness.
Plastic taste noted in the coffee.	Appliance in use for the first time. Test run with hot water strongly recommended before making any to drinks.	Upon first use, run the coffee machine with just hot water to clean and prepare the appliance. Do not drink the initial cycle of water. Ensure water has been run for at least one minute before making coffee to serve.
Burnt taste noted in coffee.	Water flowing through grinds too slowly, leading to a bitter and burnt tasting coffee.	Adjust your grinder for a coarser grind of the beans.
The steam function will not generate froth.	The steam ready indicator is not illuminated.	The unit is only ready for frothing once the indicator is activated.
	The container is too big or poorly shaped for frothing.	Use a tall and narrow cup.
	Skim milk used for frothing.	Use whole milk.
Water flow is low or performance is poor	Appliance not cleaned correctly and may contain mineral deposits.	Clean coffee maker following the "Cleaning Mineral Deposits" section to remove internal limescale.



living & co.

Warranty

We pride ourselves on producing a range of quality home appliances that are both packed with features, and completely reliable. We are so confident in our products, we pack them up with a 2 year warranty.

Now you too can relax knowing that you are covered.

Customer Helpline NZ: 0800 422 274

This product is covered by a 2 year warranty when Accompanied by proof of purchase.

IM Version 1.0 –June, 2025