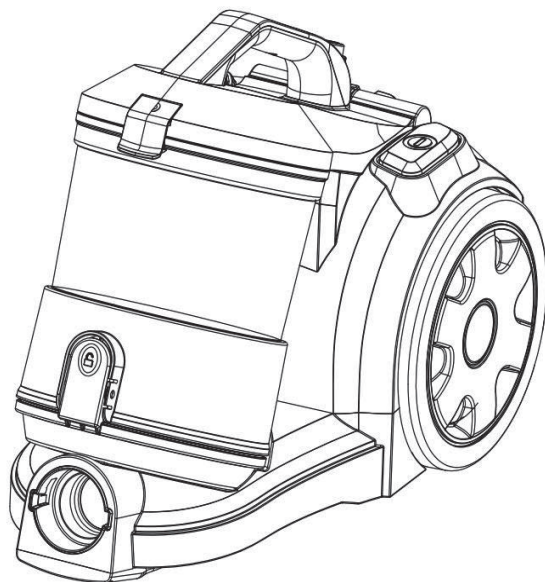


living & co.

MULTI-CYCLONIC VACUUM CLEANER

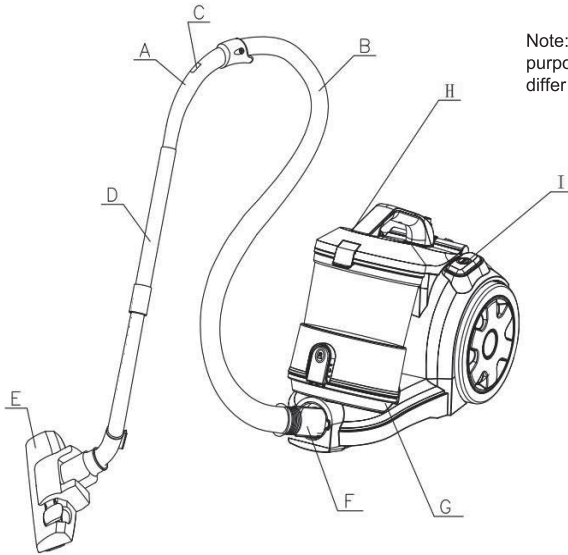


Instruction Manual SL169B

AFTER SALES SUPPORT

  0800 422 274

Product Overview



Note: Image for indicative purposes only and may differ from actual product.

A	Handle	B	Flexible Hose
C	Suction control slider switch	D	Tube
E	Floor head	F	Flexible Hose connector
G	Dust container	H	Power on/off switch
I	Cord rewind switch		

1 IMPORTANT

Please note: it is very important that the filters, dust canister and components are kept clean and free from blockages, etc.

Failure to keep clean and well maintained will reduce the performance of your vacuum cleaner, and may cause the motor to overheat.

Please refer to the “User Maintenance” Section for further instruction on cleaning.

Safety Instructions

Please read this instruction manual carefully before first use. It is advisable to keep this instruction manual for future reference.

DO NOT vacuum water, wet objects, liquids, ashes, hot coals, cigarette butts, matches or any hot, smoking or burning objects, etc.

DO NOT pick up flammable or combustible materials (i.e. lighter fluid, petrol, kerosene, etc.) or use in the presence of explosive liquids or vapour.

DO NOT pick up toxic material (i.e. chlorine bleach, ammonia, drain cleaner, etc.)

DO NOT vacuum Toner (for laser printer, copy machines etc.) as there is a risk of fire and explosion.

DO NOT vacuum plaster, cement etc. as the filter can become blocked.

DO NOT use the vacuum without all the filters fitted.

DO NOT store or use the appliance near high temperature areas.

DO NOT run over the power cord with the vacuum cleaner.

DO NOT use the vacuum cleaner if it is blocked. Turn off and clear all blockages before continuing.

DO NOT use the vacuum cleaner with blocked filters. Clean filters before continuing. (refer to User Maintenance section).

DO NOT use the vacuum cleaner if the appliance malfunctions, abnormal noise, smell, smoke, is dropped or damaged in any manner or any breakage is found during operation.

For electrical safety, any repairs to the product must be performed by a qualified electrical person only, or the product must be disposed of.

DO NOT misuse the cord. Never pull the appliance by the cord or pull to disconnect it from the outlet. Instead, grasp the plug and pull to disconnect.

DO NOT use the vacuum cleaner to pick up large objects, hard or sharp objects such as glass, nails, screws, coins, etc. that are likely to cause damage.

DO NOT use with damaged cord or plug.

DO NOT use vacuum cleaner if it has been dropped, damaged, left outdoors, or dropped into liquid (water etc.)

DO NOT close door on cord or pull cord around sharp edges or corners.

Cord Rewind - **DO NOT** allow the cord and plug to whip back at full speed. Guide the cord and plug in gently.

DO NOT handle plug or vacuum cleaner with wet hands.

DO NOT put any objects into openings.

DO NOT operate the appliance with a damaged cord or plug.

If the supply cord is damaged, it must be replaced by the manufacturer, its service agent or similarly qualified persons in order to avoid a hazard.

DO NOT attempt to modify this product in any way.

DO empty the Dust Canister regularly for optimal operation of the vacuum.

DO keep hair, loose clothing, fingers, feet and body parts away from openings or moving parts.

DO disconnect the appliance from the mains supply before connecting the flexible suction hose.

DO turn off controls before you connect or disconnect the appliance to or from the mains supply.

DO disconnect the appliance from the power supply when not in use, before changing the dust filter, cleaning the filters or connecting / disconnecting the accessories.

DO use only on dry, indoor surfaces.

DO use only as described in this manual. Use only manufacturer's recommended attachments.

DO Keep cord away from heated surfaces.

DO Keep all openings free of dust, lint, hair, and anything that may reduce airflow. **DO** use extra care when vacuuming on stairs.

DO keep your work area well lit.

DO store your appliance indoors in a cool dry area.

DO ensure children and babies cannot play with plastic bags or any packaging materials.

DO operate the appliance from a power source of the same voltage, frequency and rating as indicated on the product identification plate

If this appliance is used by a third party, **DO** supply the instruction manual with it.

No liability can be accepted for any damage caused by non-compliance with these instructions or any other improper use or mishandling of appliance.

This product has not been designed for any uses other than those specified in this manual.

ONLY for domestic use. Industrial or commercial use invalidates the warranty.

Read and Save These Instructions

To move your vacuum cleaner from room to room, unplug the unit and carry using the carry handle.

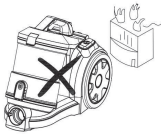
Never pull or carry the vacuum cleaner by its cord.

Never carry the vacuum cleaner by the flexible hose.

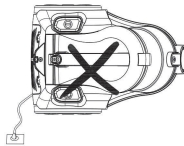
Do not obstruct the air intake or outlet vent.

Do not use the appliance to vacuum needles, drawing pins or strings.

Do not remove the plug from by pulling the cable the or appliance itself



Do not run the appliance over the power cable



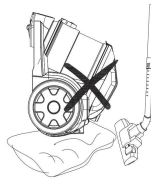
Do not use the appliance to vacuum hot matches, cigarette ends or hot ash.



Do not use the appliance on wet surfaces.



Do not obstruct the air intake or outlet vent.



Do not use the appliance to vacuum needles, drawing pins or string.



ASSEMBLY BEFORE USE

Note: Always remove the plug from the power socket before fitting or removing accessories.

Fitting and removal of the Flexible Hose to the inlet:

Fig.1 shows the connection of the hose and the vacuum cleaner:

Align the two parts and insert the coupling on the hose into the corresponding socket on the vacuum, press and rotate so they lock into position. If you want to remove the hose, rotate the opposite way and then pull it out.

Fig.1

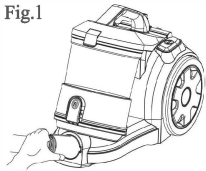
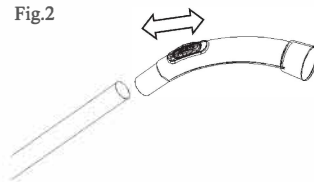


Fig.2



Fitting and removal of the Telescopic Tube and Accessories:

Fig.2 shows the connection of the hose and the telescopic metal tube:

Insert the hose handle into the upper end of the telescopic tube.

Note: The hose handle incorporates a suction relief control. Slide to the open position to reduce suction power during operation.

Fig.3 shows the connection point of the tube and the floor head:

Insert the lower end of the telescopic tube into the Floor Head until it is secured in position. To remove, simply pull the tube outwards.

Fig. 3

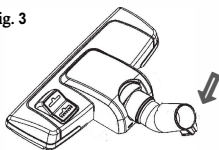


Fig.4

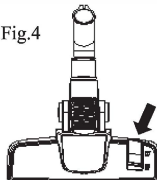


Fig.4 shows the floor head brush switch. The floor head incorporates a retractable brush strip which is best activated when vacuuming hard flooring. Retract when using on soft flooring such as carpet.

Fitting the accessories



Narrow nozzle:

for cleaning grilles, corners, edges, drawers etc.

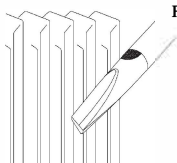


Fig. 5

Small brush:

for cleaning curtains,shelves,books, furniture, lamps and other delicate objects.



Fig. 6

Power cord retraction and mains connection

Before using the appliance, pull the plug to unwind the cord but do not extend the cable beyond the red label attached to the cord.

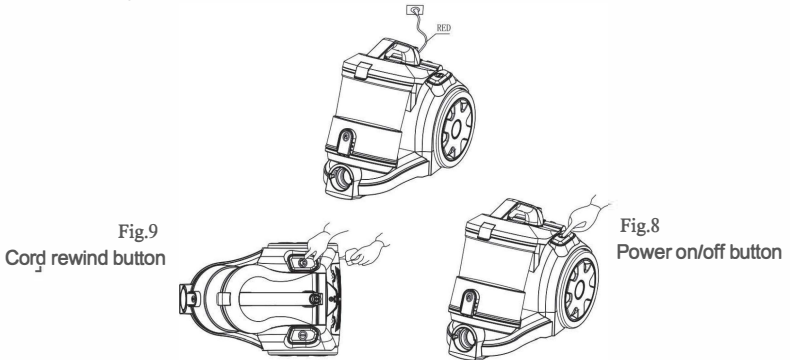
- Note: Ensure the power cord is totally dry before rewinding it back into the vacuum. To rewind the cord, press the Cord Rewind Button whilst controlling the cord with the other hand to ensure that it does not whip back causing damage.

Fig. 7 cord withdrawal (max indicated by red label).

Fig. 8 shows the power on/off button.

Fig. 9 shows the supply cord exit point and rewind button.

Fig.7



Emptying the Dust Canister

Empty the Dust Canister before the dust level reaches the MAX line, or when the suction power is reduced.

- To remove the Dust Canister, turn off the power, unplug.
- Grip the handle on the Dust Canister, press the Dust Canister Release Button (Fig. 10) and pull the Dust Canister forward and away from the vacuum body.
- Take the dust container to a dustbin.
- Press the Trap Door release button (Fig. 11) inward to release the latch and the trap door will swing open emptying the contents into the bin.

To close the trap door, close it manually until it clips shut.

Fig.10

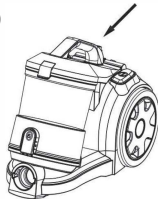
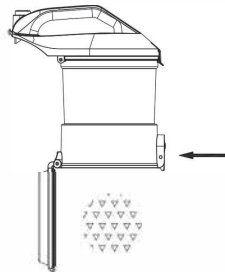


Fig.11



Note: Images are for indicative purposes only.

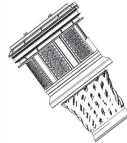
Inner cone assembly

- The inner cone assembly should be periodically removed so as to clean away any hair and debris that may be trapped.
- To remove, detach the dust canister as described earlier then press the filter housing release and lift open the cover.
- Lift out the circular dust filter (Fig 12).
- Grasp the top portion of the cone assembly and twist clockwise to unlock, then lift out. (Fig. 13).

Fig.12



Fig.13



Note: Images are for indicative purposes only.

- Clean the cone assembly to remove dust / hair etc and reinsert back into the housing.
- To reassemble, reinsert the cone assembly and take care to line up the groove into the ridges on the the inner housing and twist anticlockwise to lock in position. It is important that these parts align otherwise the filter housing may not close properly, affecting performance.
- Refit the filter assembly (clean prior if required - refer cleaning section later in this manual).
- Close the filter housing cover and clip shut.

User Maintenance

WARNING: The plug must be removed from the power socket before any maintenance, cleaning or replacement of parts.

NOTE: To maximise the performance of your vacuum cleaner, you should clean your filters regularly.

If the filters are broken or worn, replace them before continuing to use the vacuum. Filters can be purchased from our Customer Service.

Cleaning Filters

Important Note – the Filters must be cleaned regularly for best suction performance and to prevent over-heating and damage to your vacuum cleaner.

Cleaning is best done at the same time when emptying the dust Canister after you have finish vacuuming for the day.

IMPORTANT! Never use the vacuum cleaner with wet or damp filters or without ALL filters fitted.

Using wet or damp filters will damage the filters, may cause serious damage to the vacuum cleaner and will void your warranty.

Main Filter

Remove the Dust Canister as described previously.
 The Filter is located inside the Dust Canister Lid.
 Swing open the lid of the dust canister by unclipping the latch to expose the filter.
 Remove the filter by grasping the filter and pull straight up and out.
 There are two parts to the filter, a fine mesh filter (white) and a foam filter (black).

Fig.14

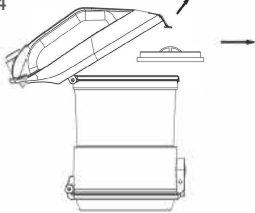
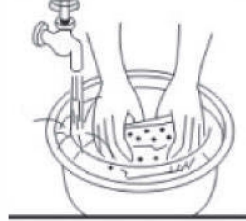


Fig.15



Note: Regularly clean the foam filter by gently rinsing in water and allowing to completely dry. Only clean the mesh filter if it is very dirty, otherwise just tap the edge of the filter on a hard surface to dislodge any dust and remove any large debris.

If washing, wash the filter in warm mild soapy water, rinse in clean fresh cold water and let completely dry.

DO NOT scrub the filters or place in a dishwasher.

DO NOT use a hair dryer to dry the filters.

IMPORTANT! Never use the vacuum cleaner with wet or damp filters. Using wet or damp filters will damage the filters, may cause serious damage to the vacuum cleaner and will void your warranty.

Refit the Filters (or replace with new ones) in the reverse method used for disassembly.

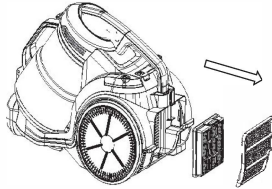
Note: The Dust Canister lid will not close unless the filter is fitted correctly in place.

Exhaust Air Filter

The exhaust air HEPA filter cleans the air a final time before it leaves the vacuum cleaner.

You can access and clean the exhaust air filter as follows: It is located in the back of the Vacuum Cleaner.

Fig.16



Remove the grille by pushing down the the release latch to unlatch and pull forward to expose the filter.

To remove the Filter, pull outward.

Note: Only wash the filter if it is very dirty, otherwise just tap the edge of the filter on a hard surface to dislodge any dust and remove any large debris. If washing, wash the filter in warm mild soapy water, rinse in clean fresh cold water and let completely dry.

DO NOT scrub the filter or place in a dishwasher.

DO NOT use a hair dryer to dry the filter.

IMPORTANT! Never use the vacuum cleaner with wet or damp filters. Using wet or damp filters will damage the filters, may cause serious damage to the vacuum cleaner and will void your warranty.

Refit the Filter (or replace with a new one) in the reverse order and ensure the grille clips shut.

It is recommended to clean this filter every 3 months or sooner if required.

Cleaning the Vacuum Cleaner Body and Accessories

Do not clean the vacuum cleaner, components or accessories using petrol or any other flammable liquid or solvents, etc.

Clean only the outside of the vacuum cleaner.

Use only a moist cloth and mild detergent for cleaning the vacuum cleaner, components and accessories.

After cleaning, wipe off the moisture on vacuum cleaner, components and accessories with a dry cloth.

Do Not place accessories and components in a dishwasher.

Troubleshooting

Noisy operation	Clean the Filters and empty the Dust Canister
	Check for partial blockages and unblock.
Suction Not Strong	Clean the Filters and empty the Dust Canister.
	Check for blockages and unblock
	Check that the Suction control switch on the hose handle is closed.
Over-heating / Stopping	Clean the Filters, empty the Dust Canister, check for blockages and unblock then allow it to cool for approximately 1 hour before trying to restart.
Floor Brush hard to push	Due to the strong suction of your vacuum cleaner, it may be difficult to push, especially over thick carpet. Rather than forcing the Floor Brush, lift the Floor Brush momentarily to allow air to flow into the vacuum releasing the built-up suction pressure, then continue vacuuming.
	The Floor Head brush may be extended when using on a carpet. Retract the brush.
	Slide open the vacuum Suction control switch located on the hose handle. This will reduce suction to the floor head.
Static Shock	In some rare instances, occasional users may feel an electric discharge when touching or using the vacuum cleaner during or after use. This is a well-known phenomenon of Static Electricity discharge that happens mostly when the user vacuums a synthetic fibre carpet or other synthetic surfaces. It can also be more prevalent in dry and cool environments. Although the feeling of the Static Electricity can be unpleasant for the user, it is not dangerous and is not a fault of the vacuum cleaner. If this static discharge is a problem for the user, the user could try wearing insulating footwear during vacuuming (i.e. rubber or leather soles) or increase the humidity / heat level in the surrounding environment or both.

living & co.

Warranty

We pride ourselves on producing a range of quality home appliances that are both packed with features and completely reliable. We are so confident in our products, we back them up with a 1 year warranty.

Now you too can relax knowing that you are covered.

Customer Helpline NZ: 0800 422 274

This Product is covered by a 1 year warranty when accompanied by proof of purchase.

IM Version 1.0 - May 2025